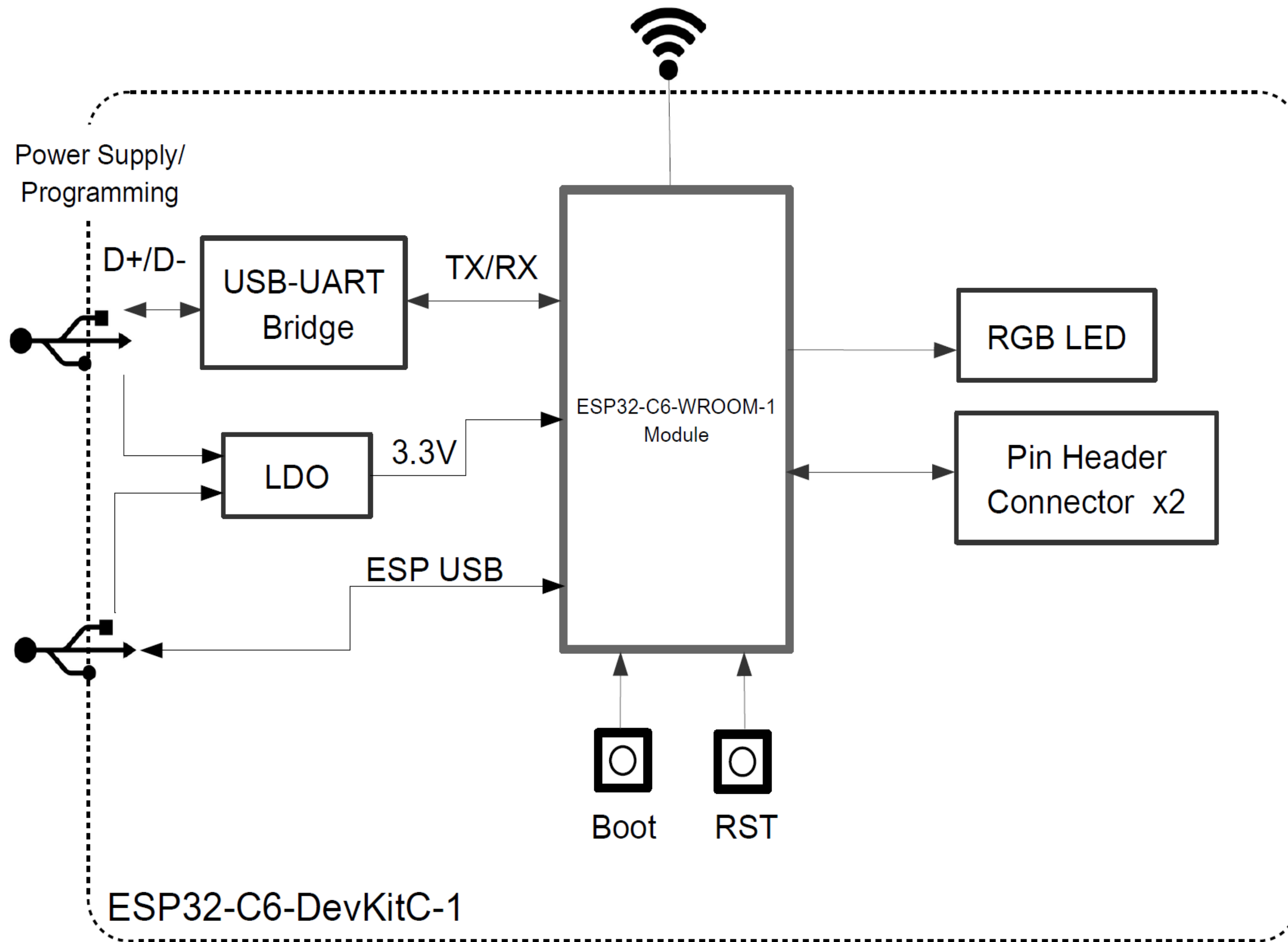
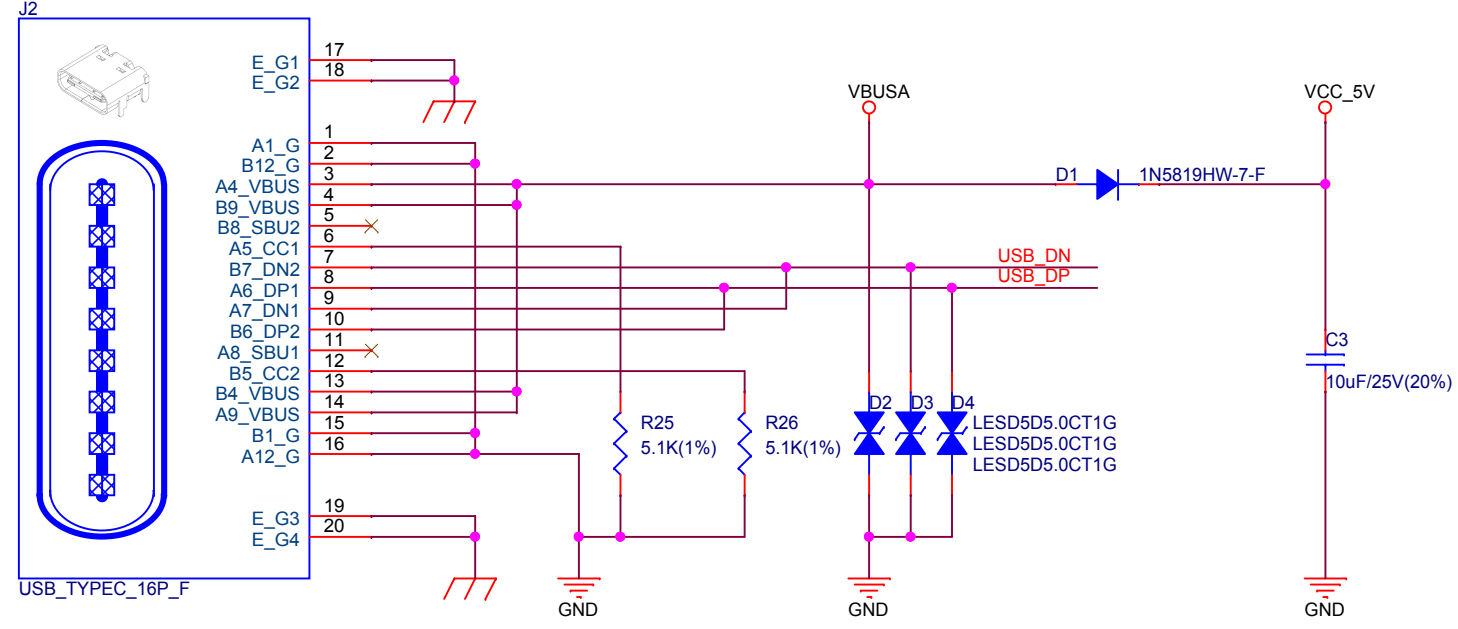


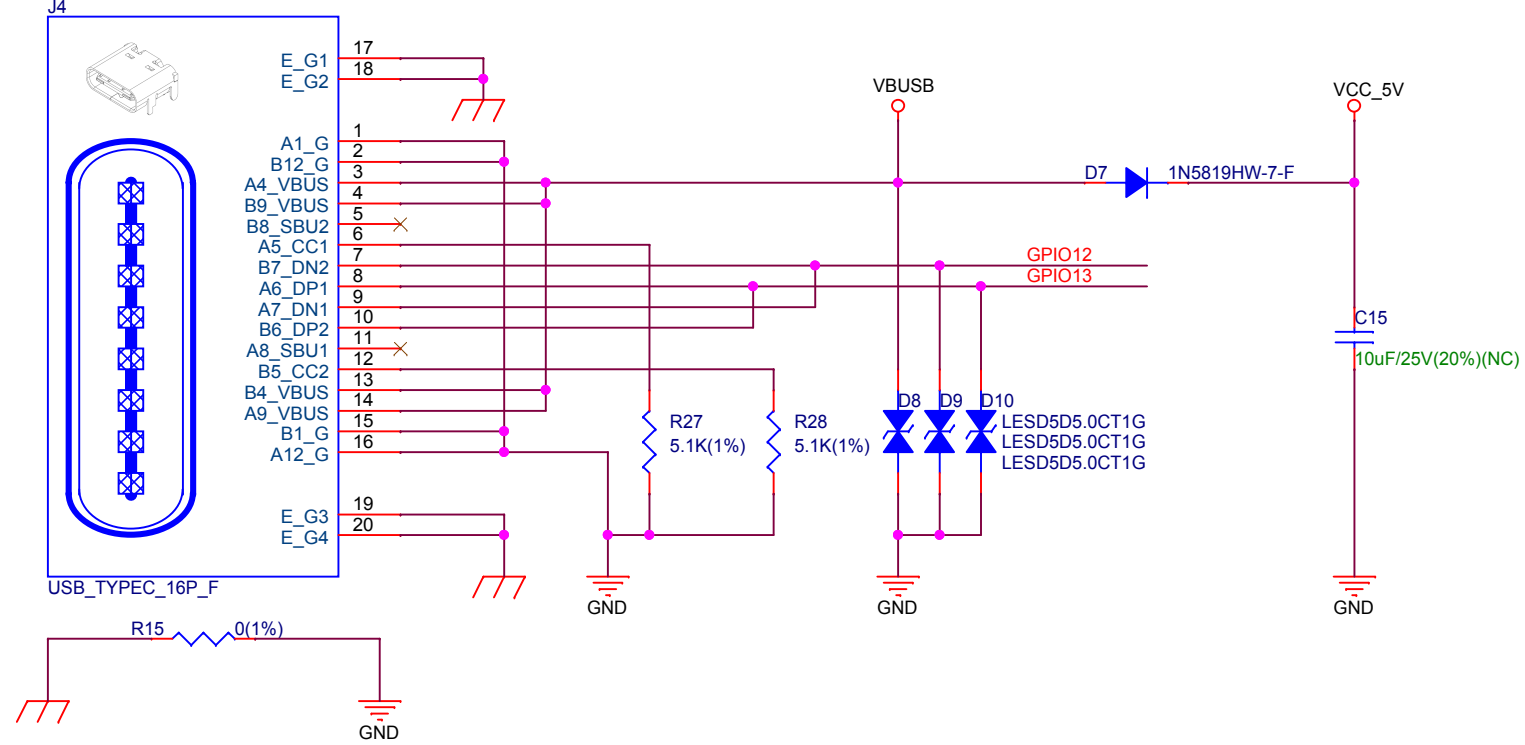
System Block:



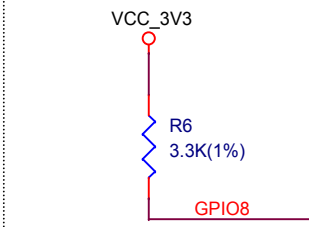
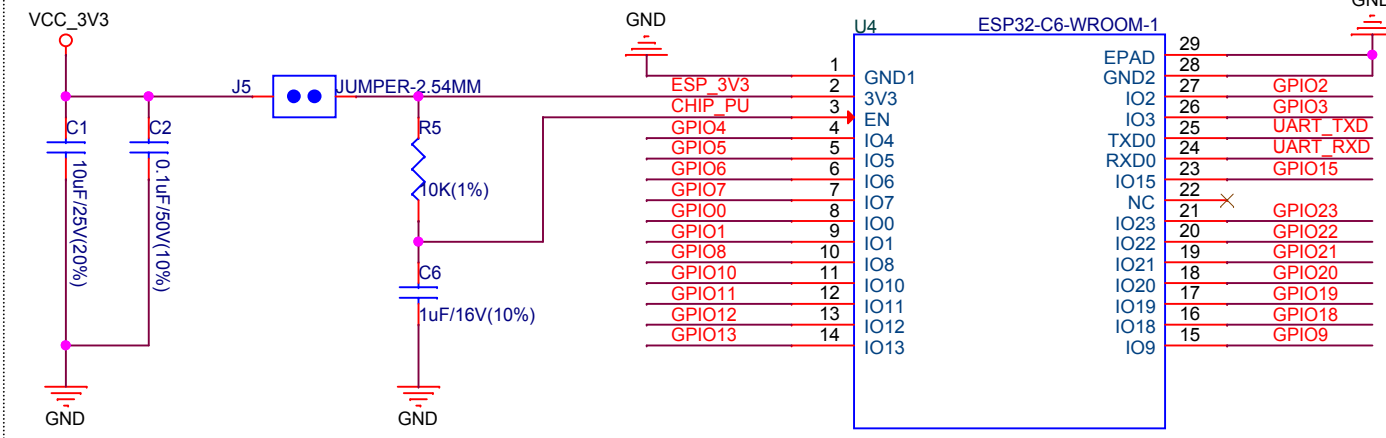
USB to UART:



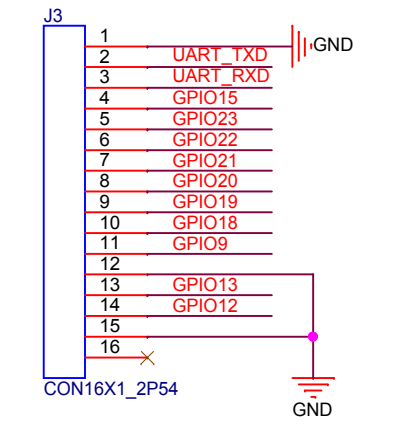
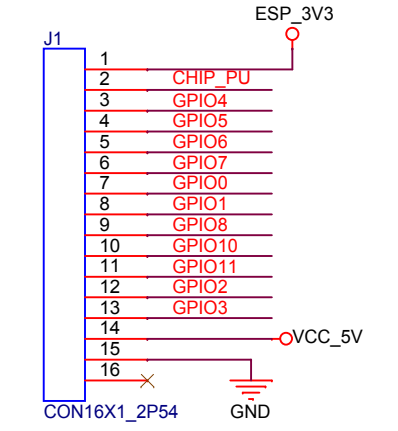
USB:



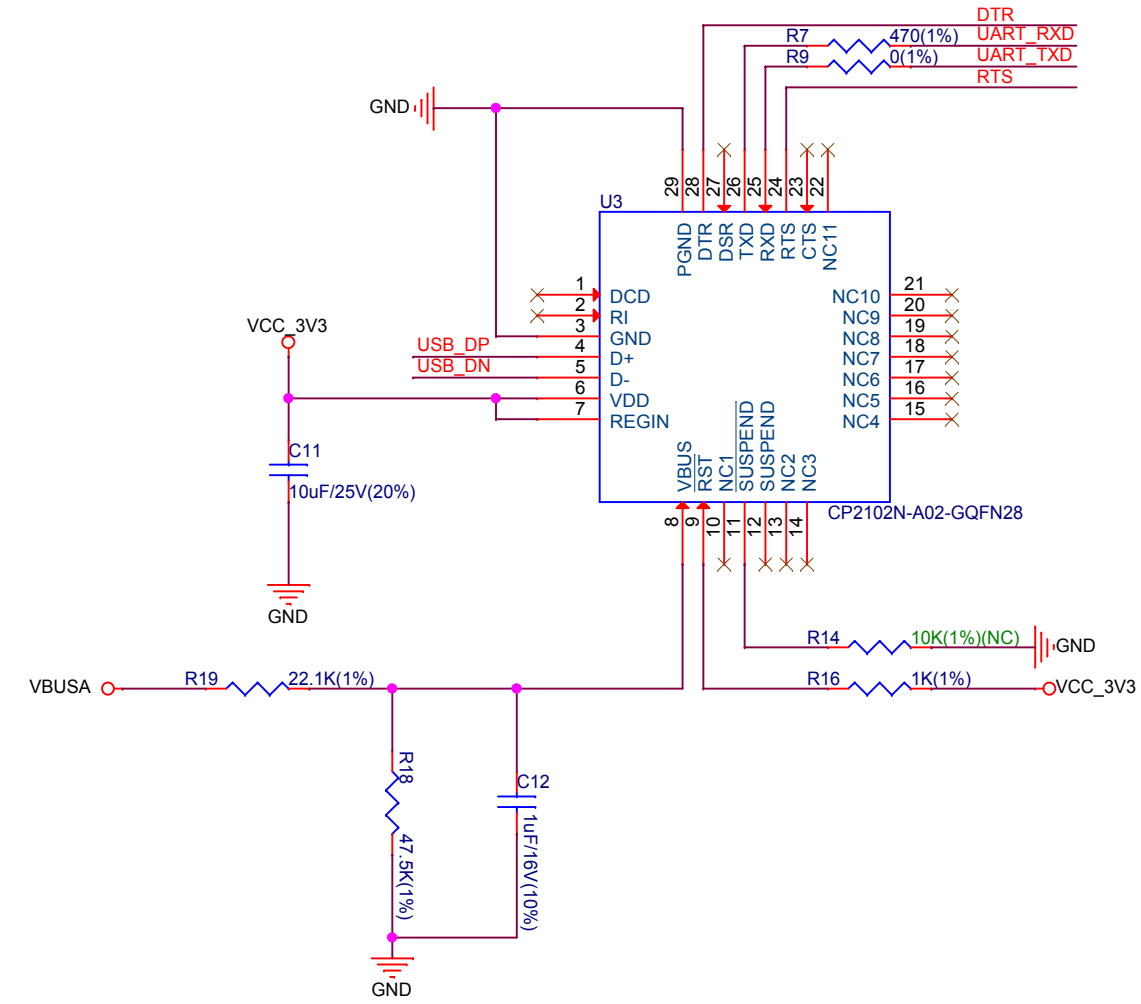
ESP32-C6-WROOM-1:



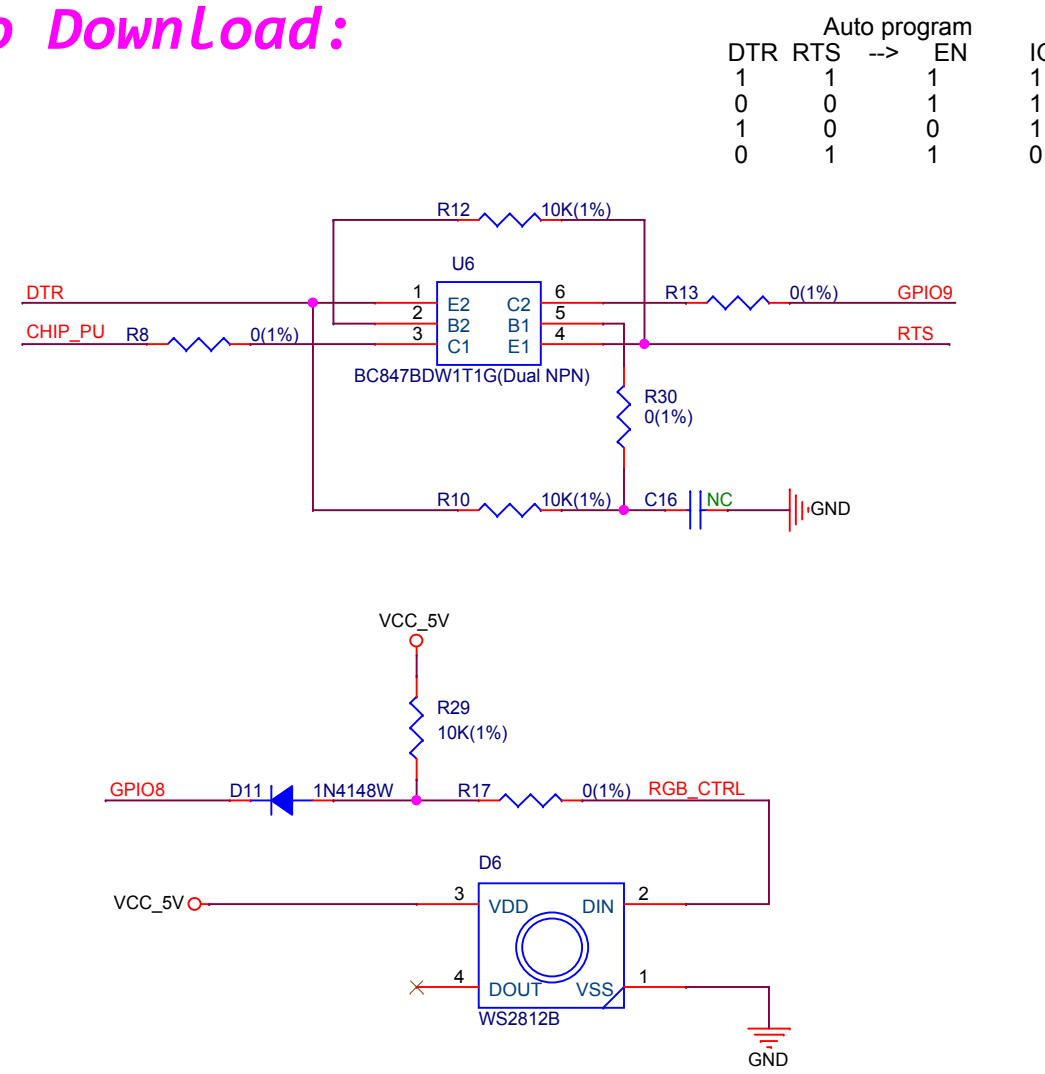
Pin Header:



UART:

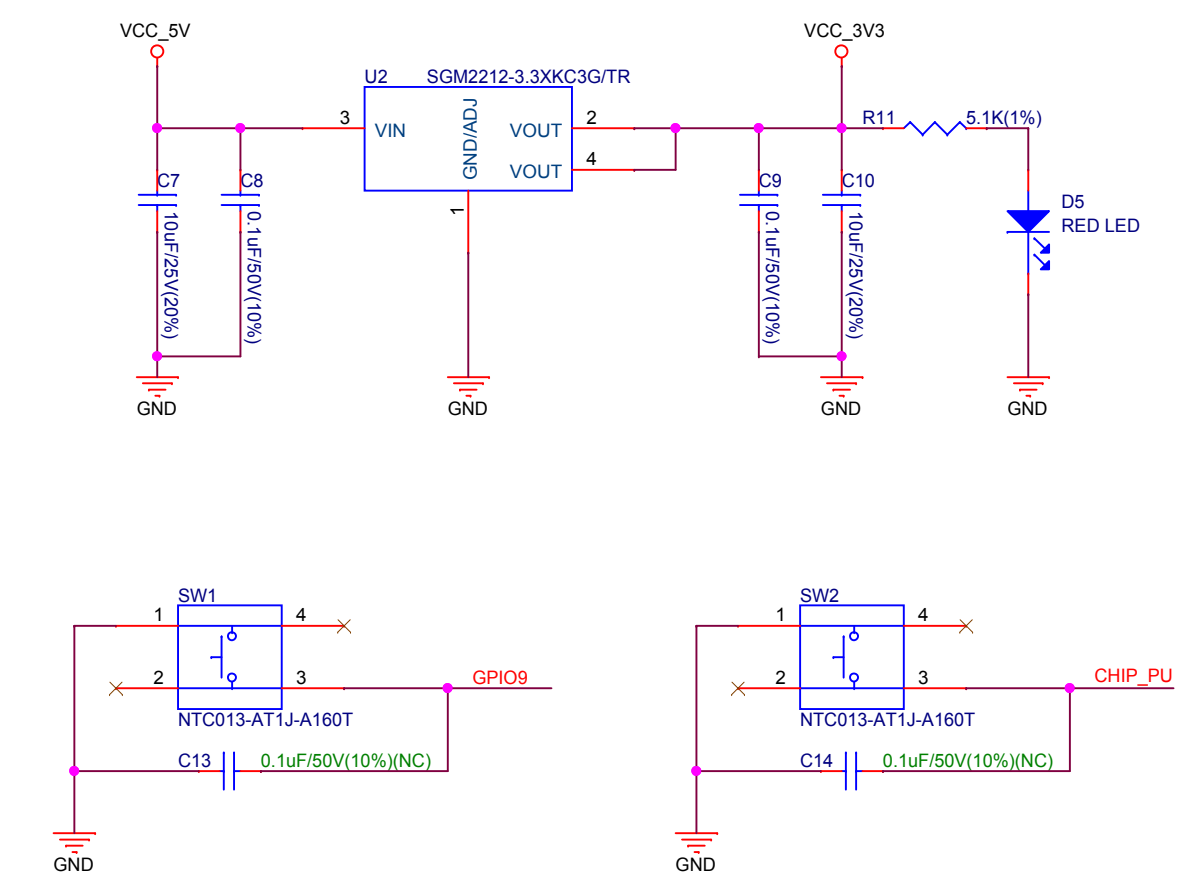


Auto Download:



Auto program			
DTR	RTS	->	IO9
1	1	1	1
0	0	1	1
1	0	0	1
0	1	1	0

Power Regulator:



ESPRESSIF

乐鑫信息科技(上海)股份有限公司			
Title ESP32-C6-DevKitC-1			
Size	Page Name	Rev	Proprietary
C	02 ESP32-C6-DevKitC-1	V1.4	
Date:	Thursday, May 09, 2024	Sheet	2 of 2