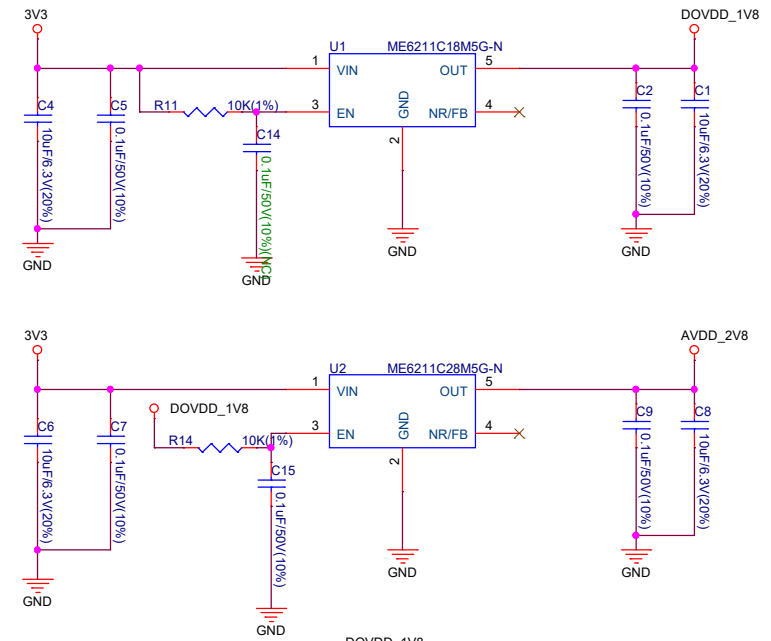
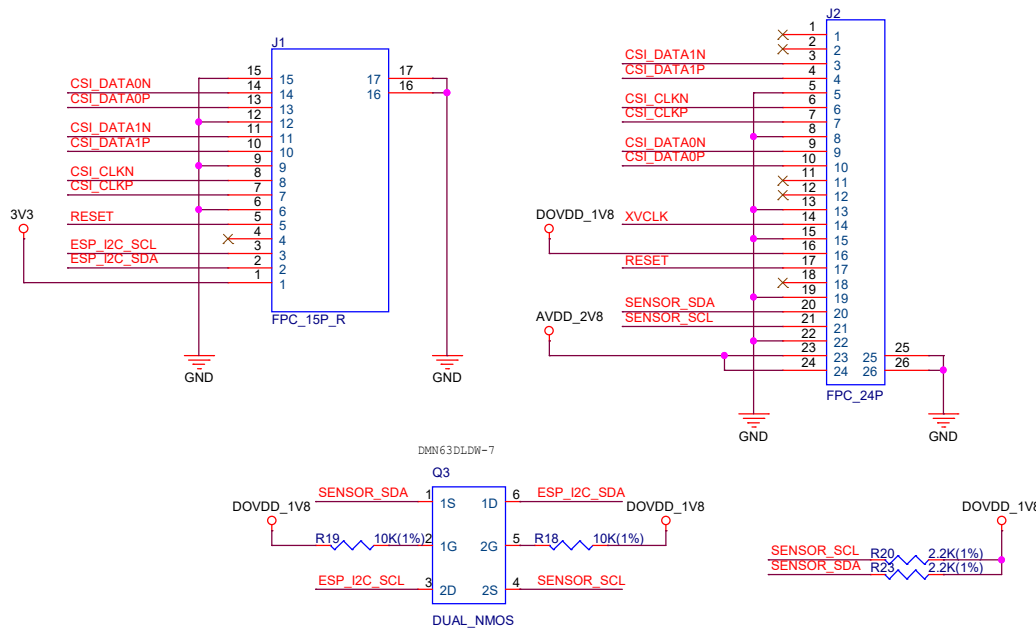


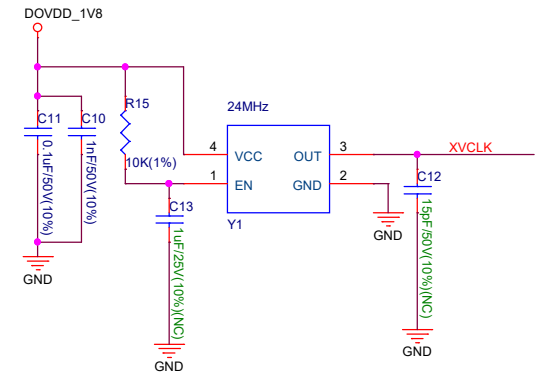
To EV board:

To Sensor:

LDO:



OSC:



RST:

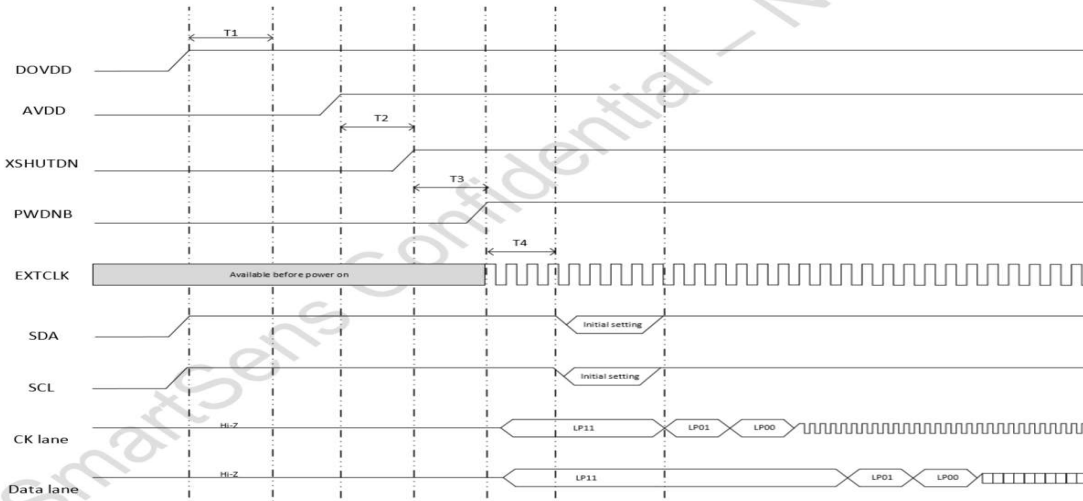
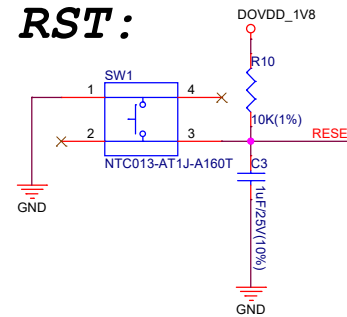


图 1-1 上电时序图

注: T1≥0ms, T2≥0ms, T3≥0ms, T4≥4ms。

| | | | |
|--|----------------------|----------|-------------|
| ESPRESSIF | | | |
| 乐鑫信息科技(上海)股份有限公司 | | | |
| Title: ESP32-P4_FUNCTION_EV_BOARD_MIP1_Sub | | | |
| Size: B | Page Name: Connector | Rev: 1.1 | Proprietary |
| Date: Thursday, May 30, 2024 | Sheet: 1 | of 1 | |