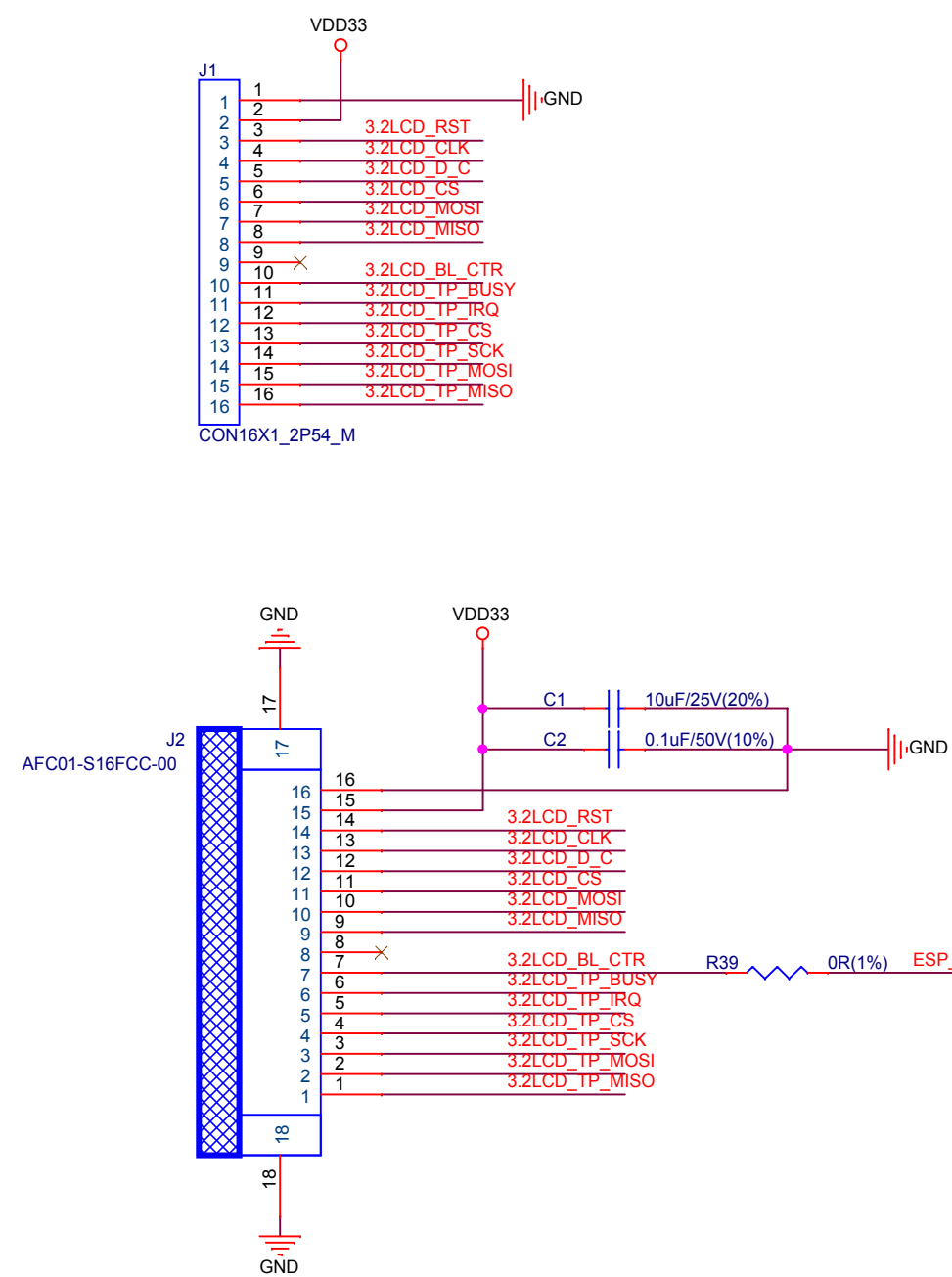


System Block:

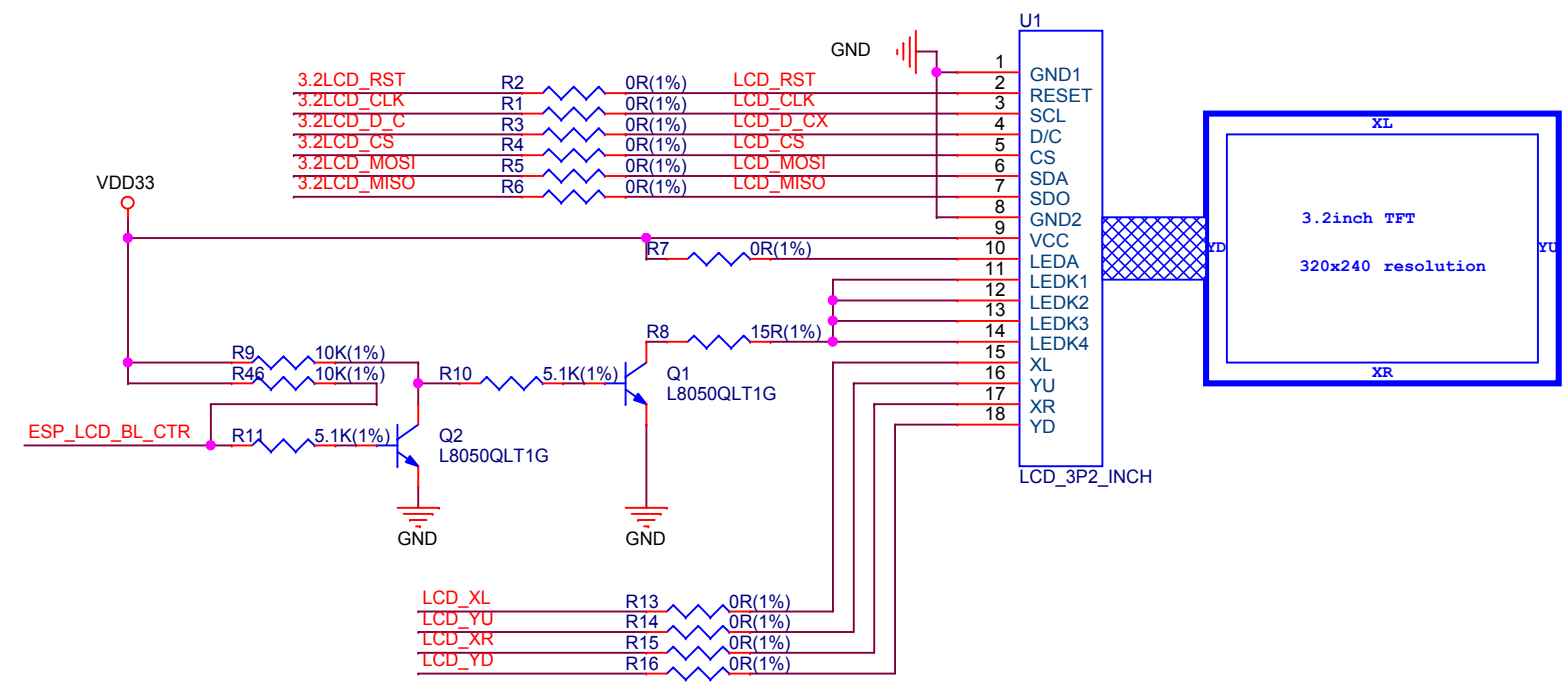
Leaving Blank

ESPRESSIF		
乐鑫信息科技(上海)股份有限公司		
Title ESP-LyraP-LCD32		
Size	Document Number	Rev
C	01_DesignBlock	V1.1
Date: Tuesday, March 24, 2020 Sheet 1 of 2		

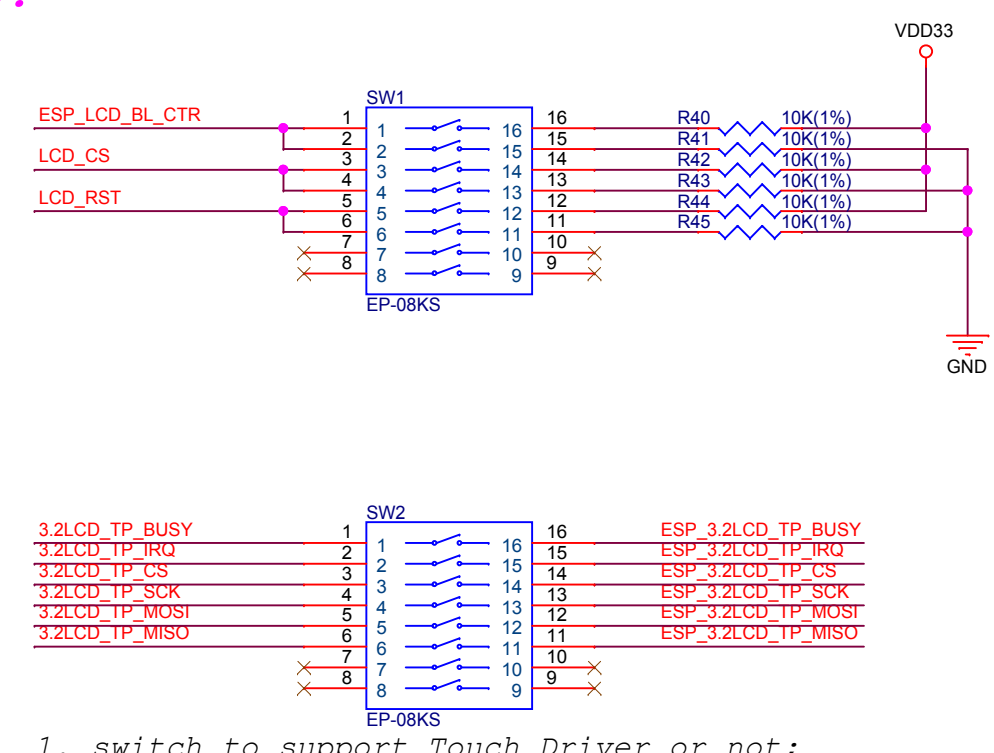
Connector to Mainboard:



3.2inch LCD:

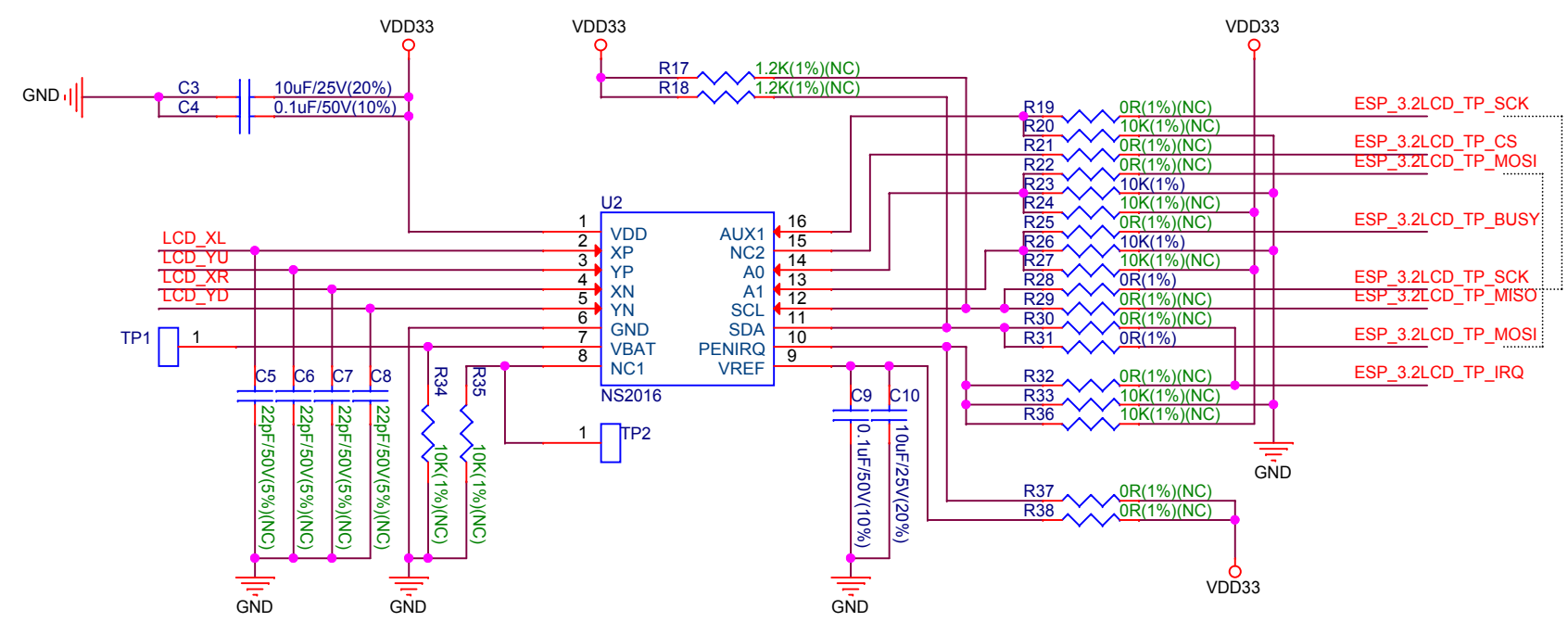


Switchs:



1. switch to support Touch_Driver or not;

Touch Driver:



- 1. I2C_SDA: 3.2LCD_TP_MOSI
- 2. I2C_SCK: 3.2LCD_TP_SCK

Locating Holes:

