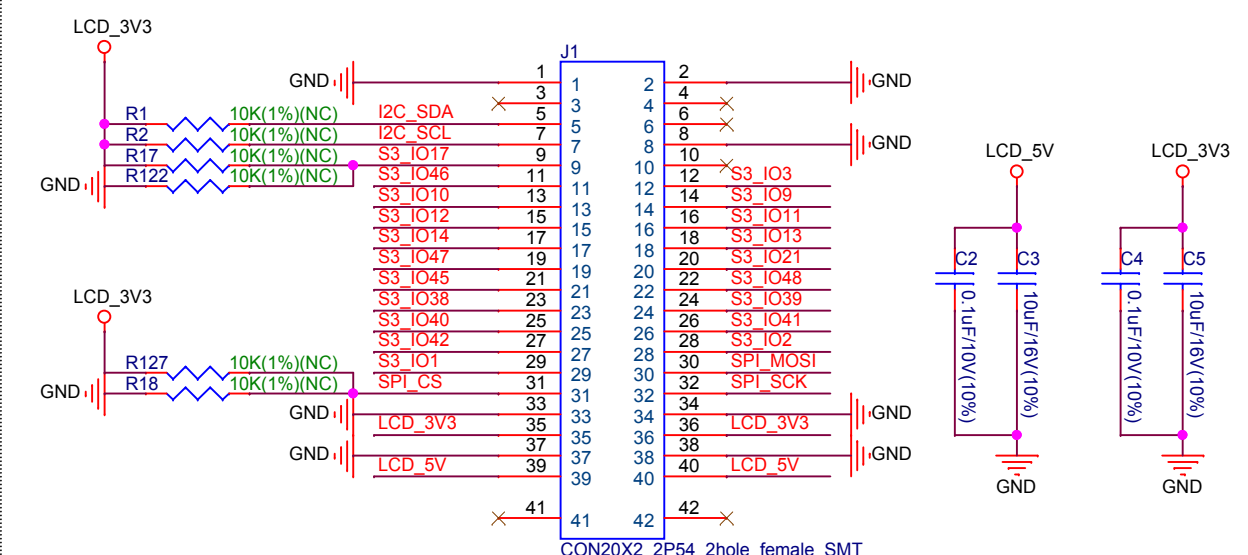
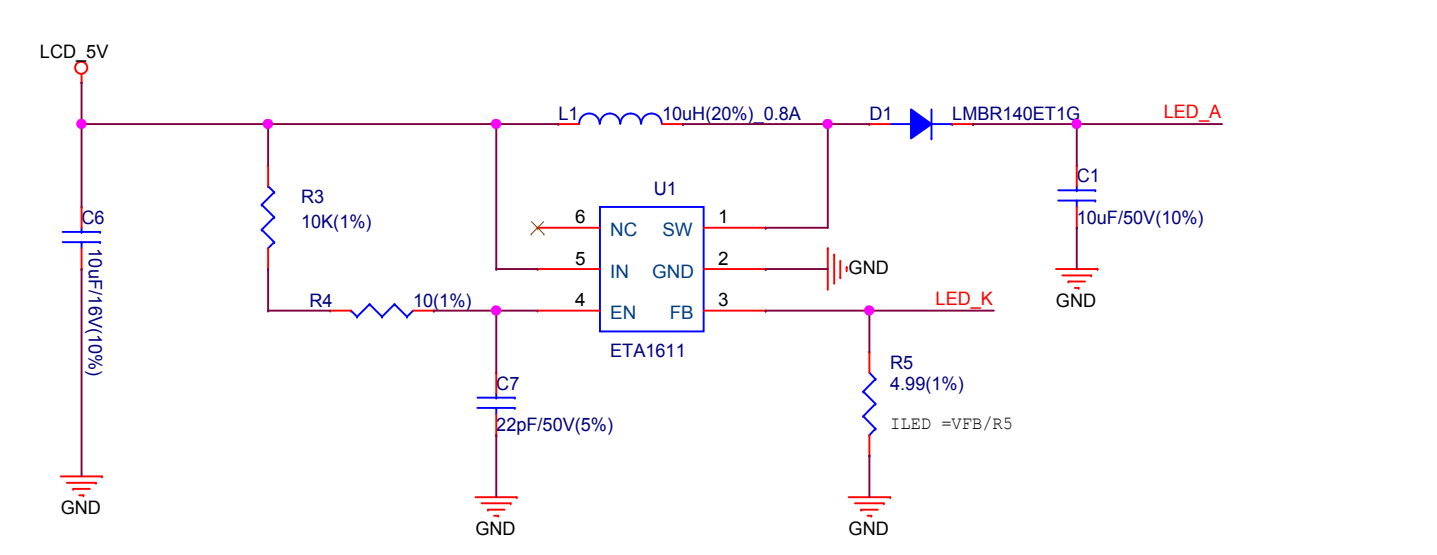


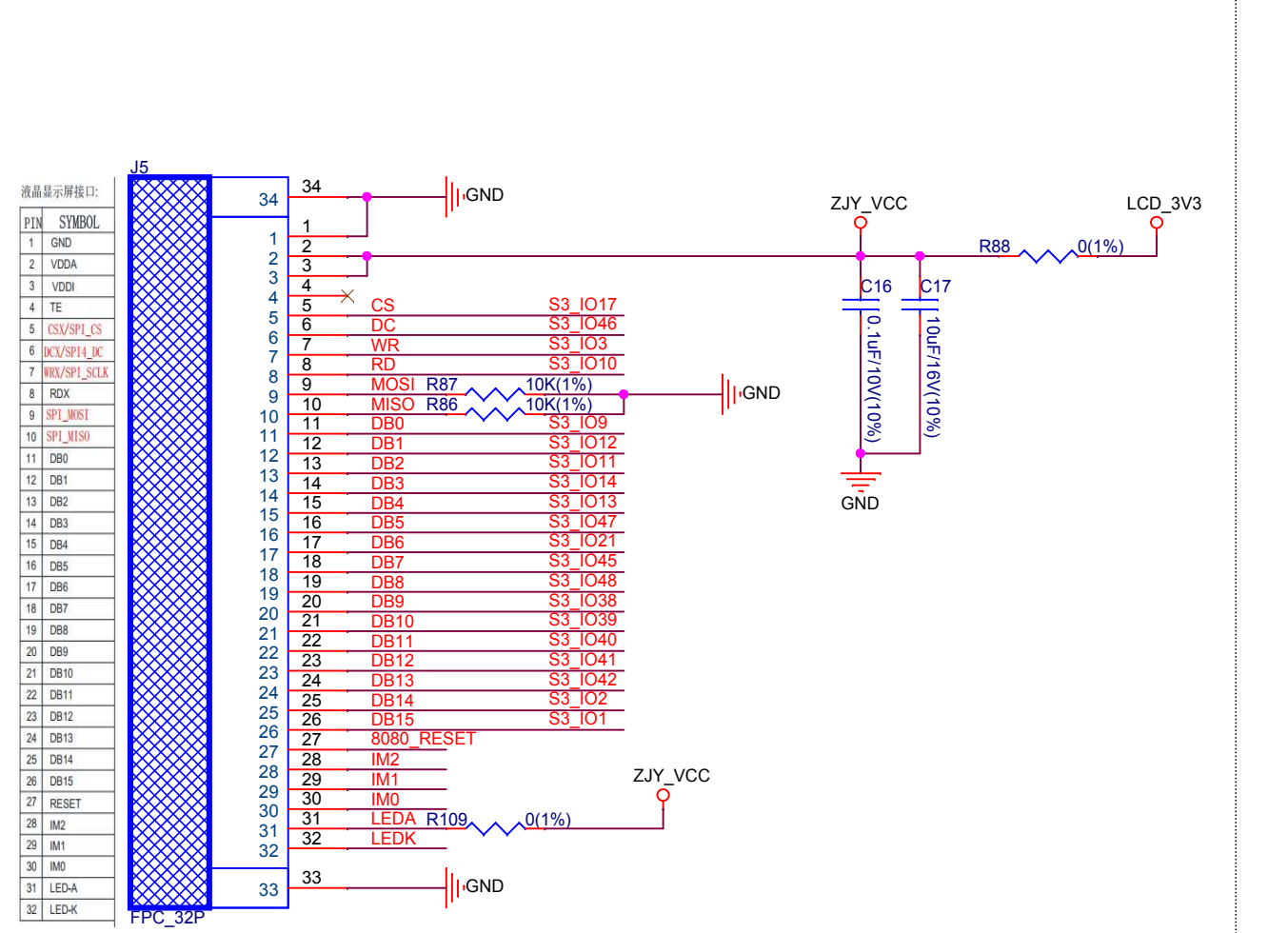
Connector to MB



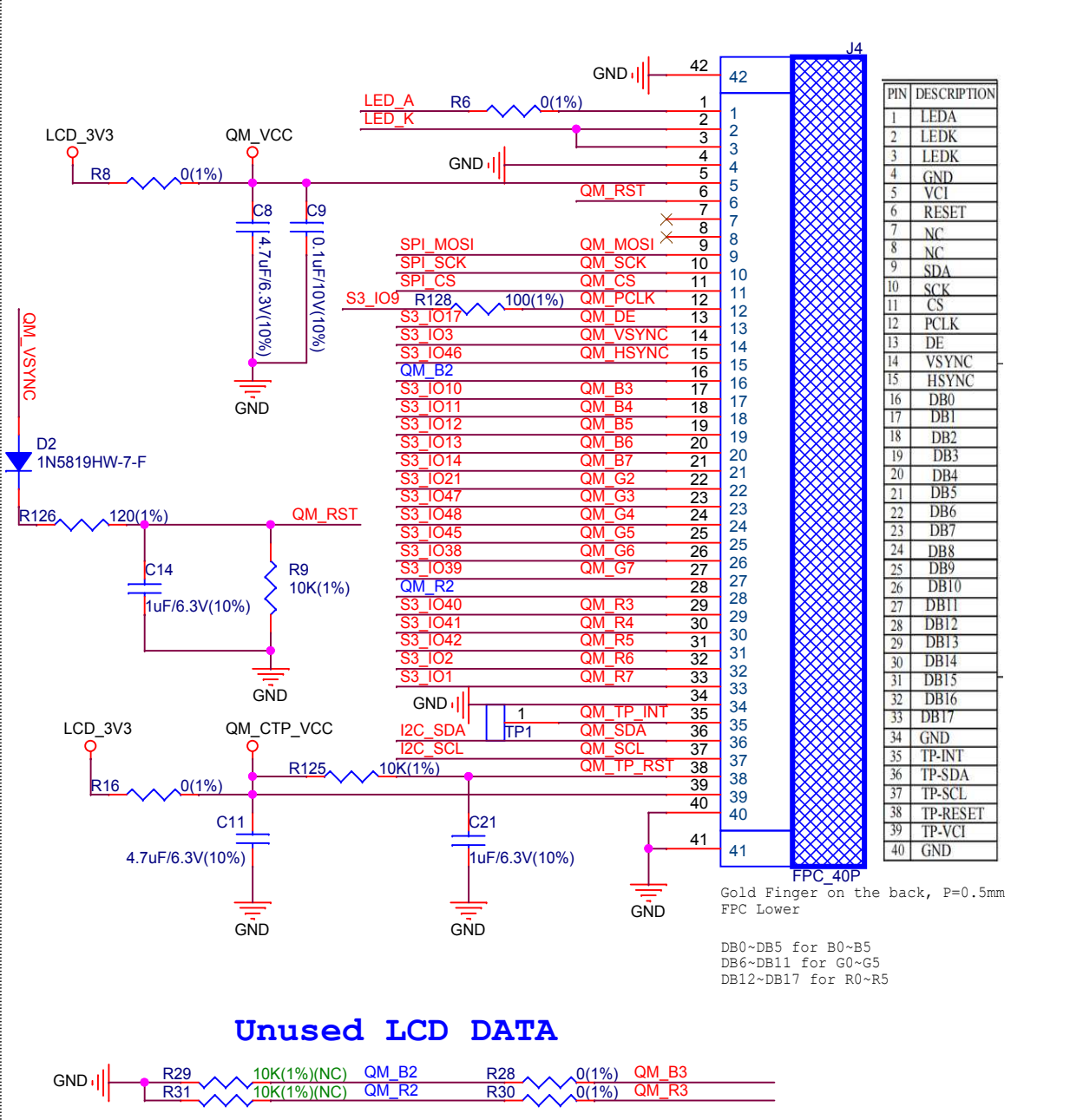
LCD_BL



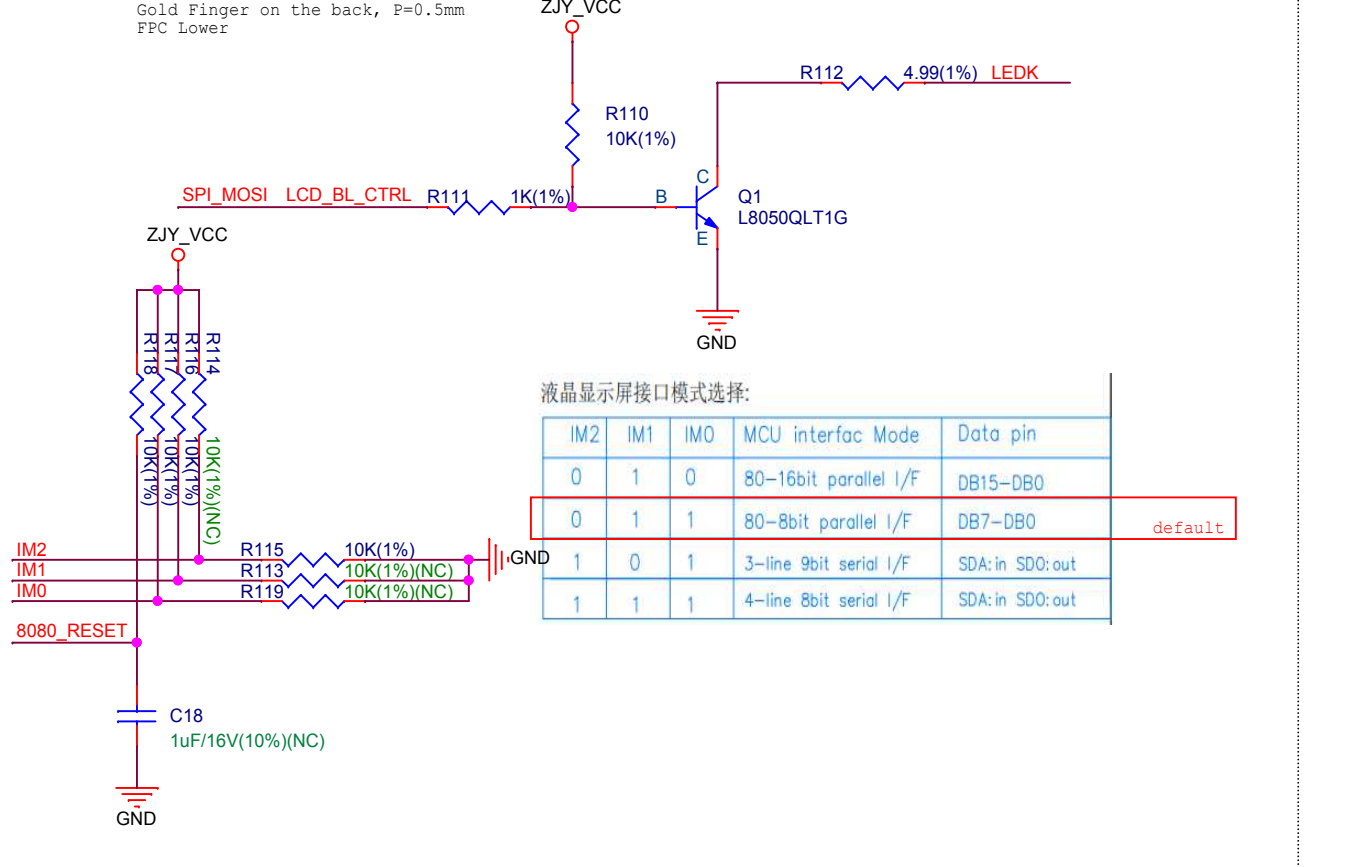
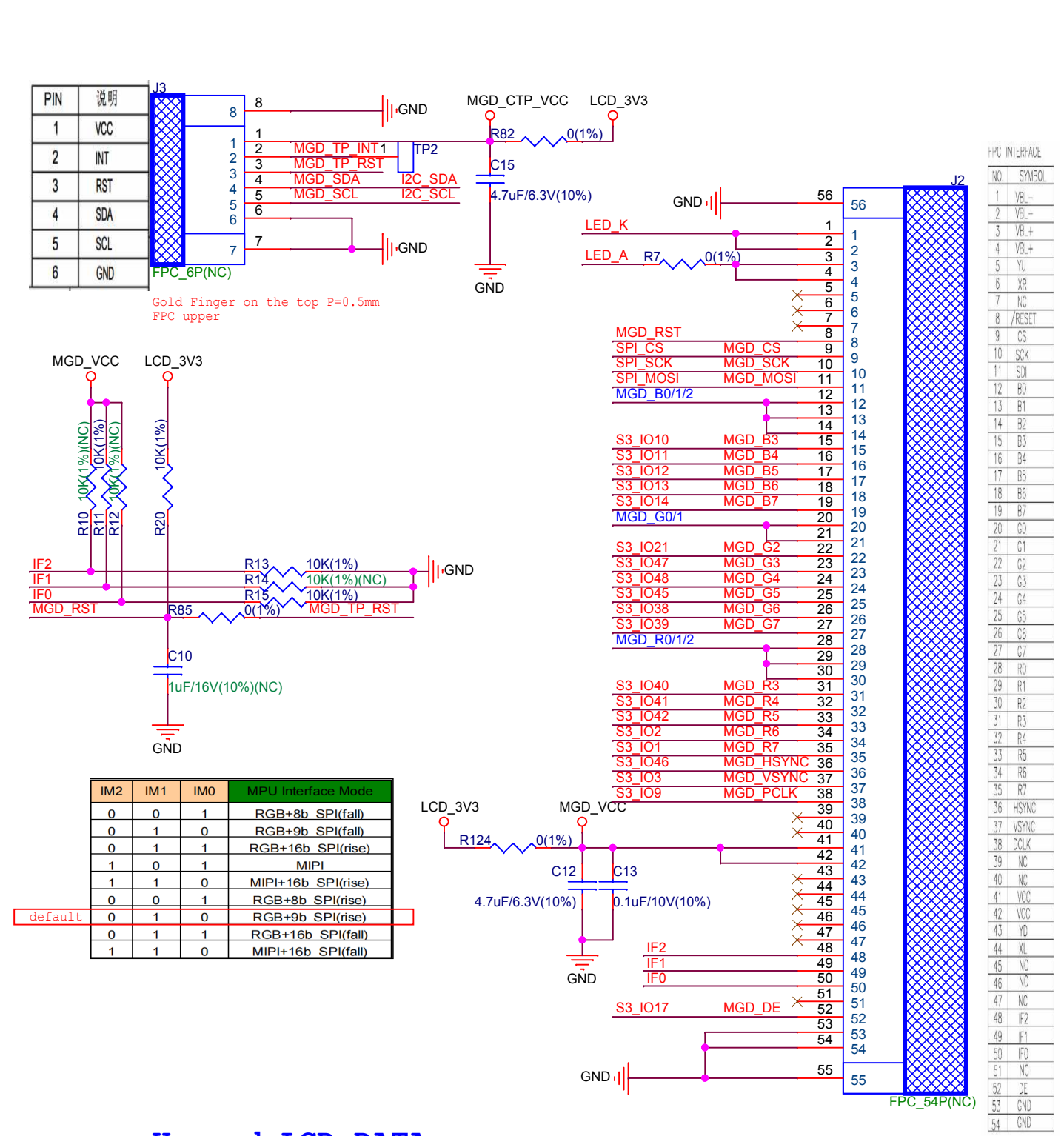
3.5 inch LCD_ZJY



3.95 inch LCD_QMZX



3.95 inch LCD_MGD



Support Board Holes

