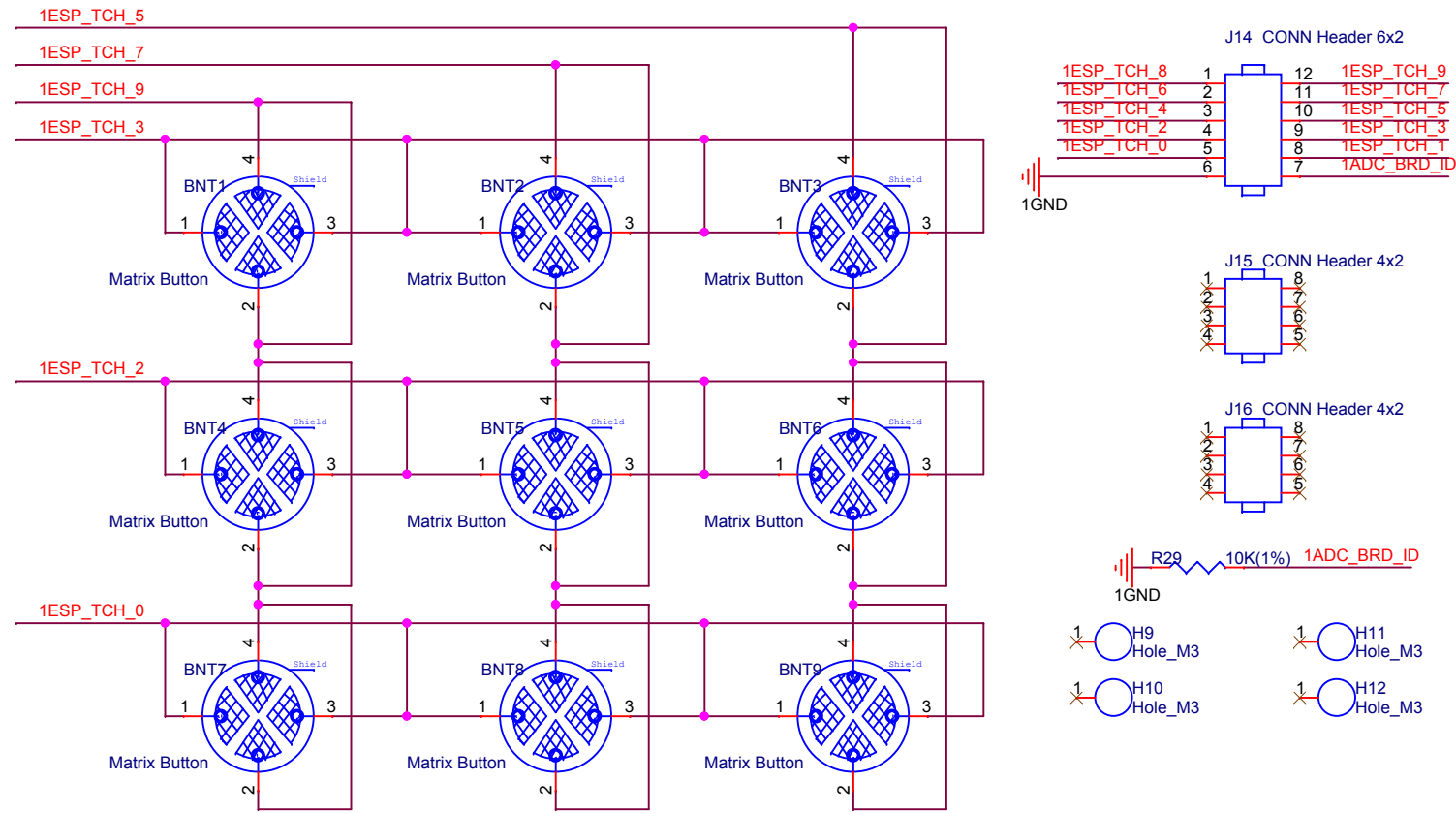
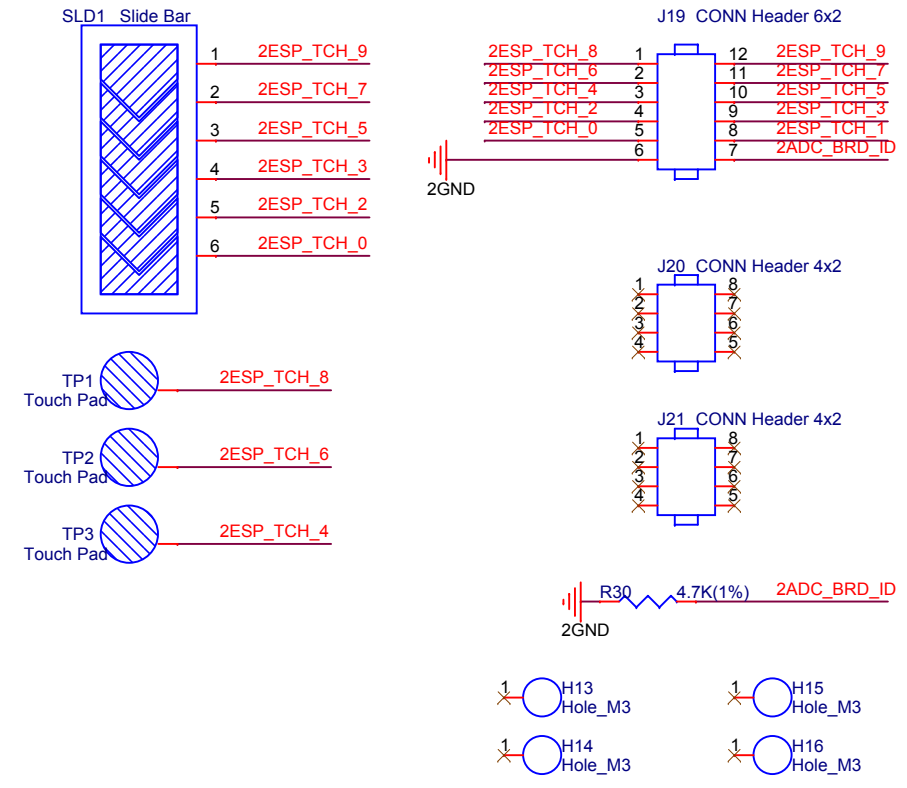


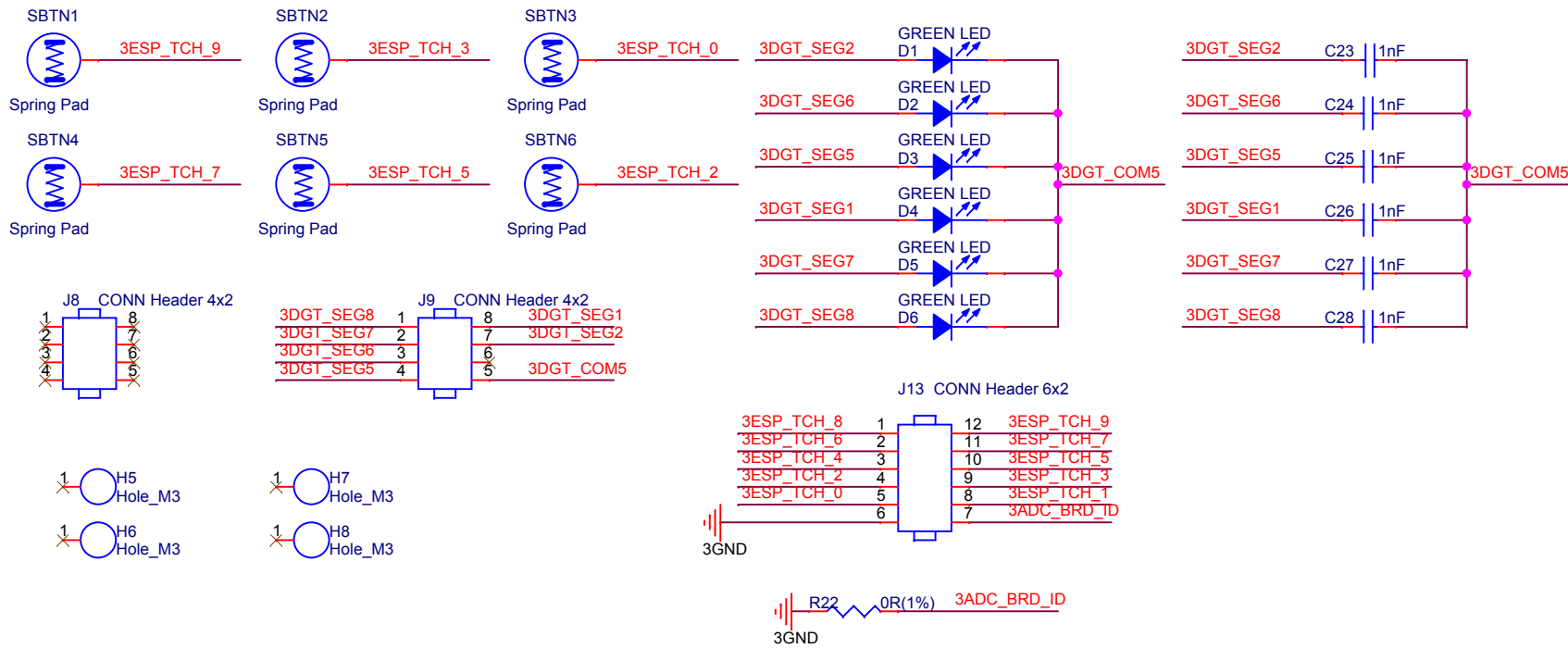
MatrixButton (3x3)



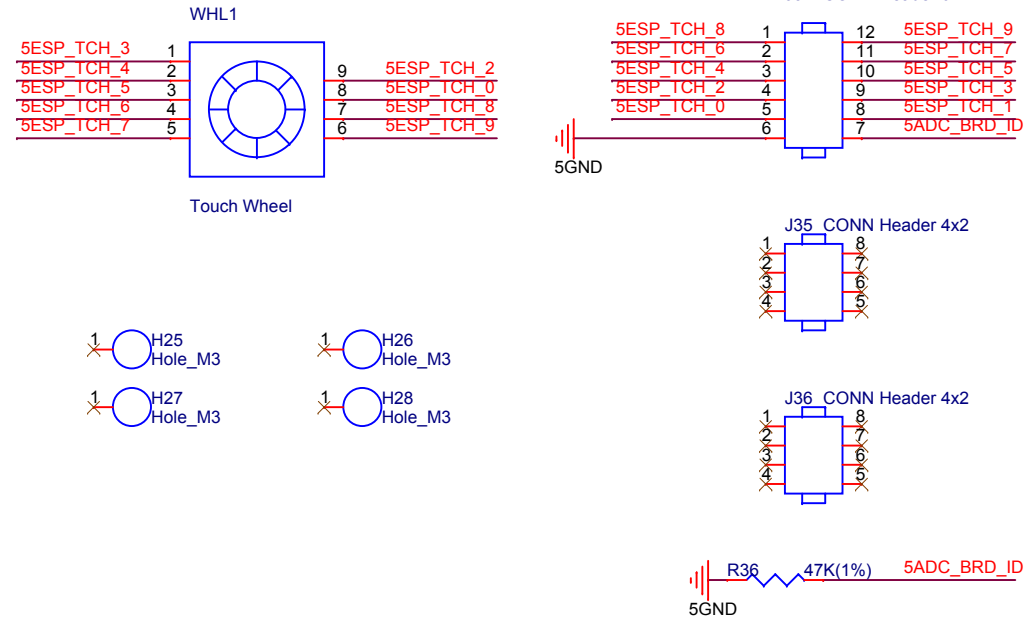
LinearSlider (6 Segments) & Single Pads (x3)



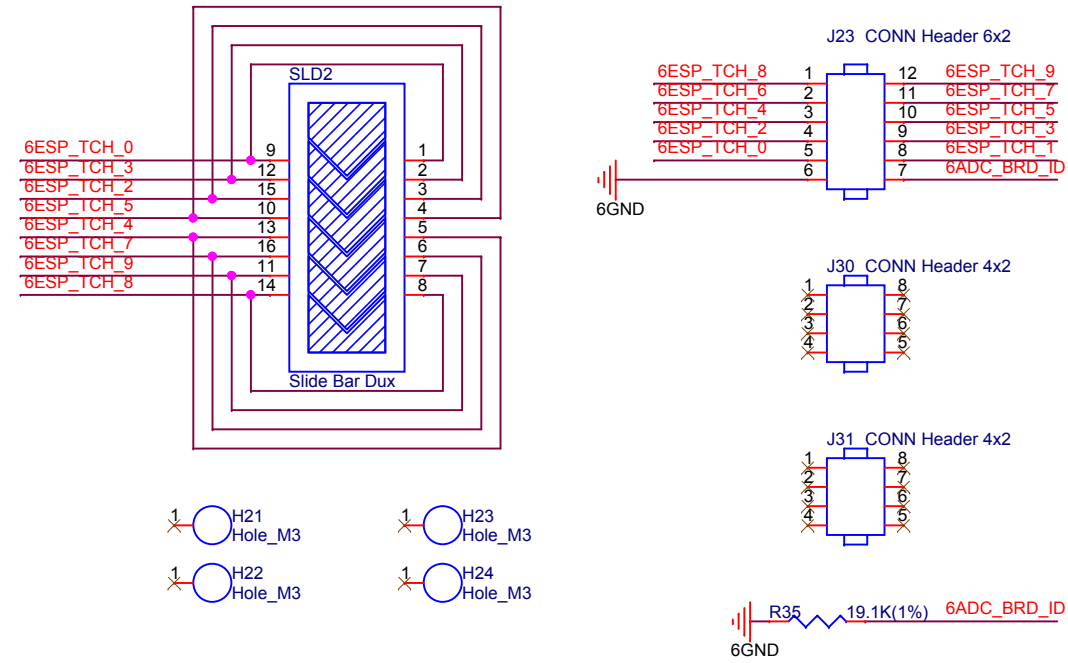
SpringButton (x6)



WheelSlider (9 Segments)



DuplexSlider (16 Segments)



Board ID Table

Sub BRD No.	Function	ID Resistor
1	MatrixButton	10K
2	LinearSlider	4.7K
3	SpringButton	0R
4	WheelSlider	47K
5	DuplexSlider	19.1K