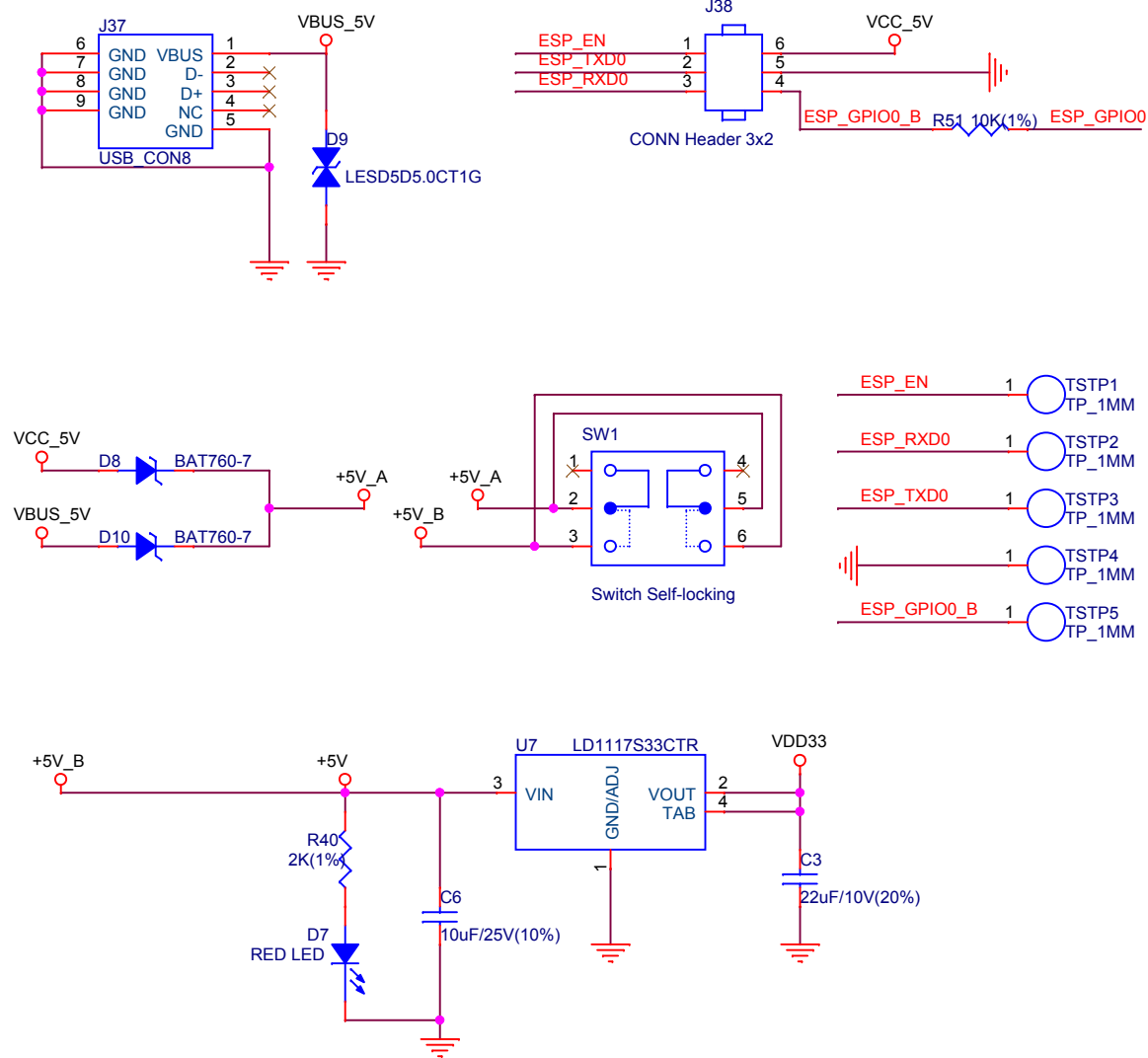
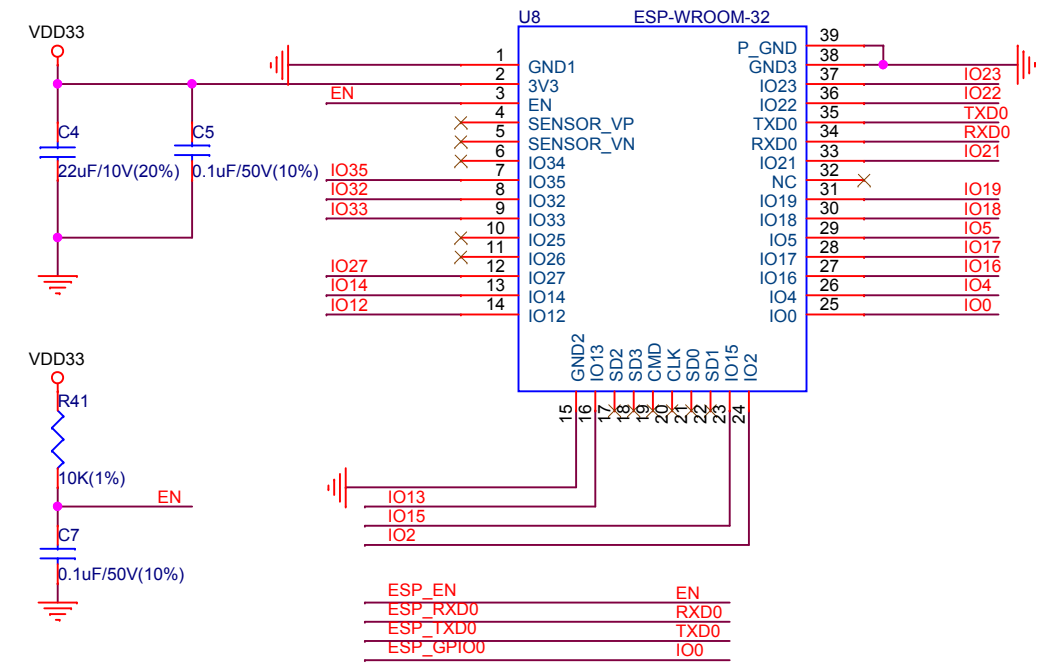


Power Supply



ESP32 MODULE

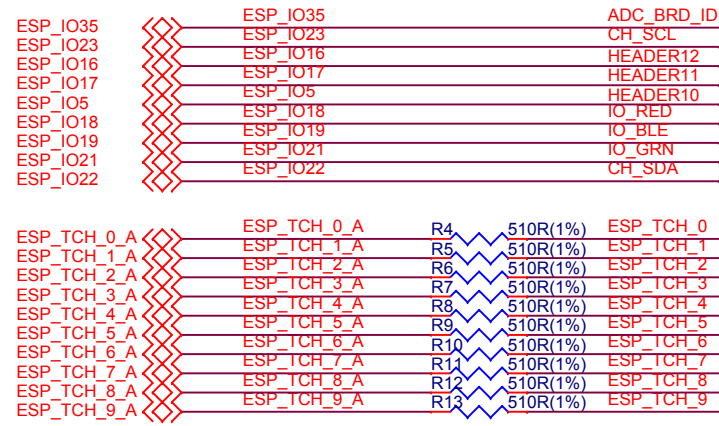


Offpage Connector

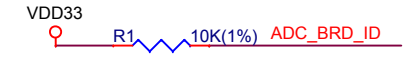
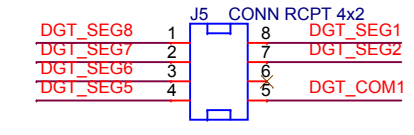
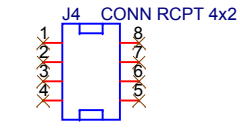
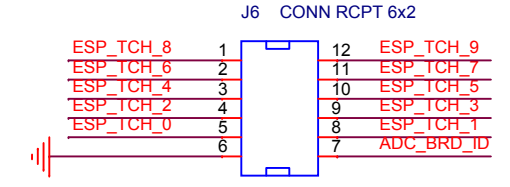
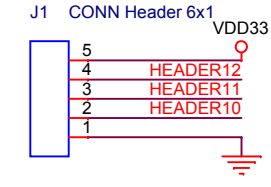


ESP32 Core BRD

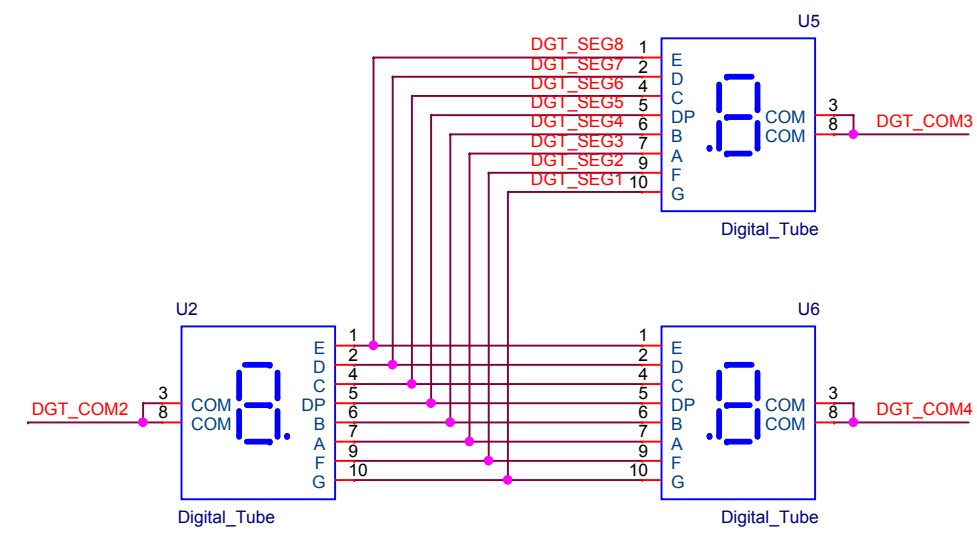
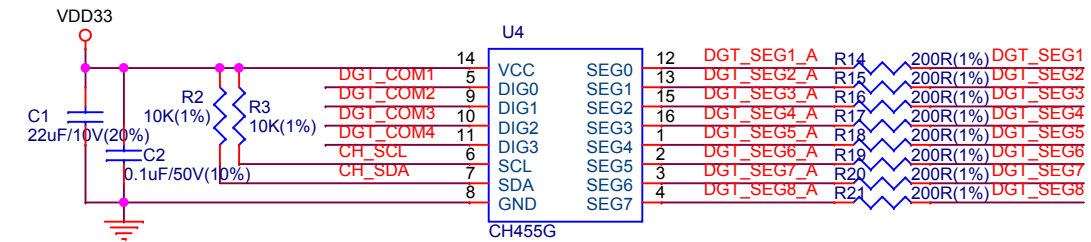
IO Configure Table:



Connector & Mounting Holes



Digital Tube Driver



Board ID Table

