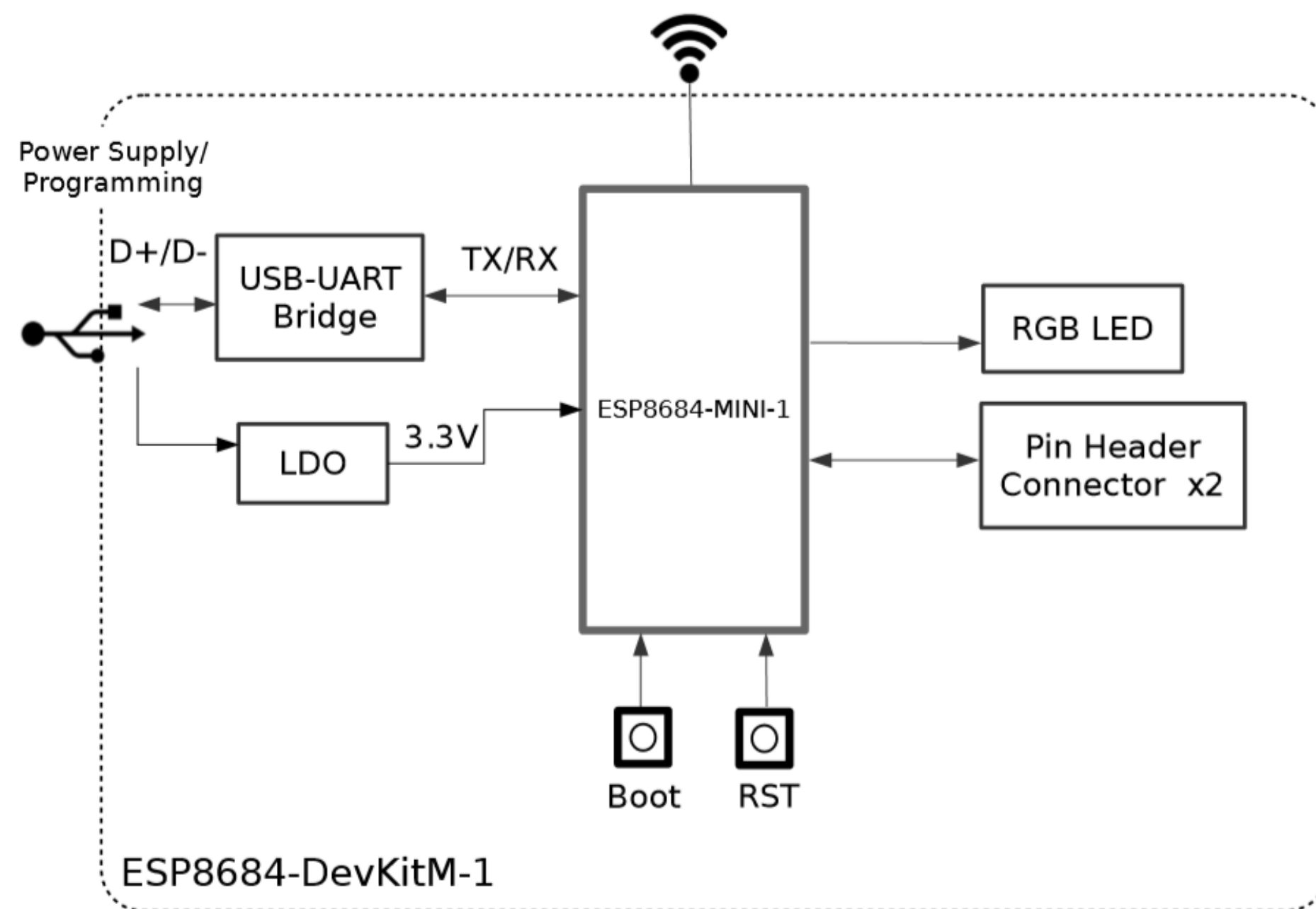
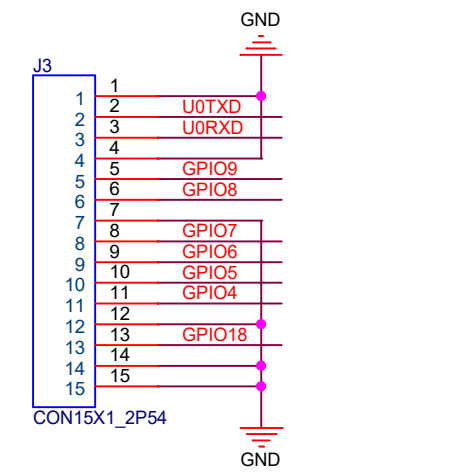
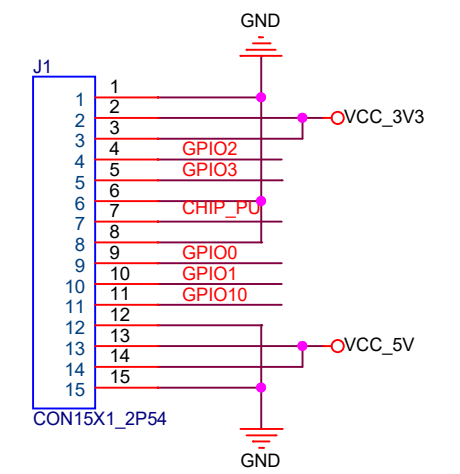
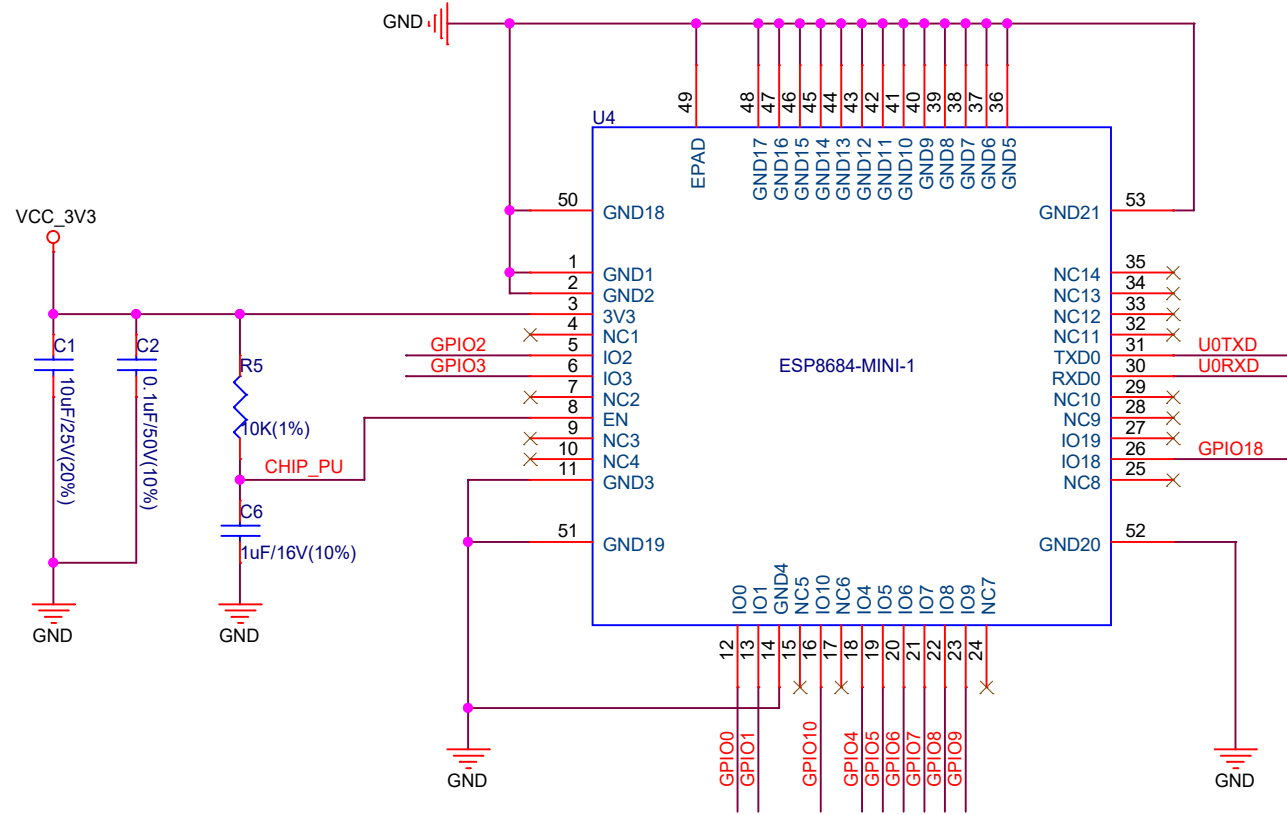
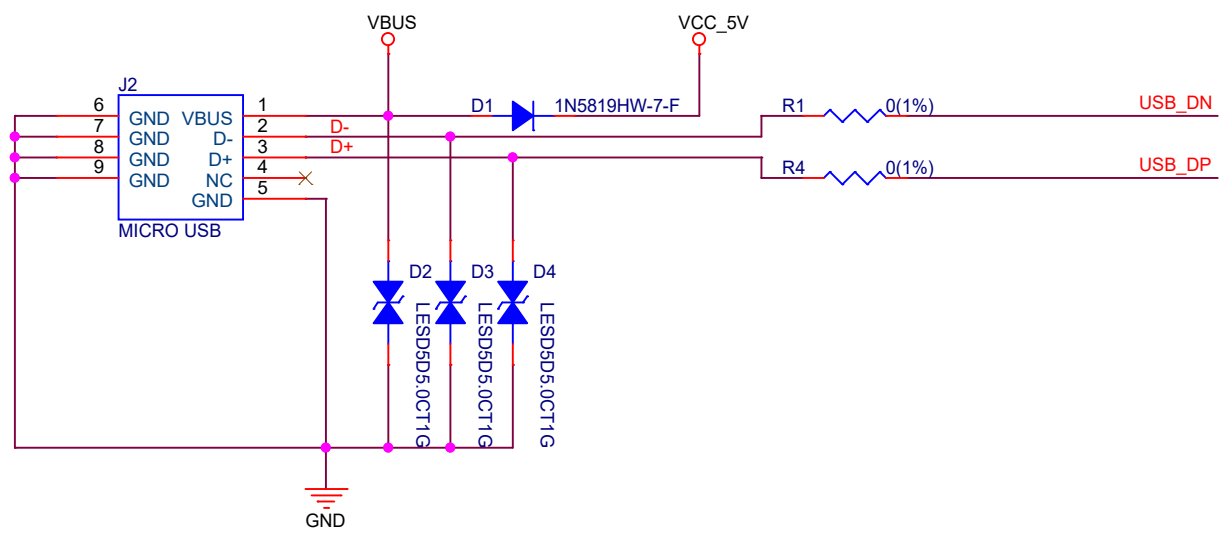


## System Block:

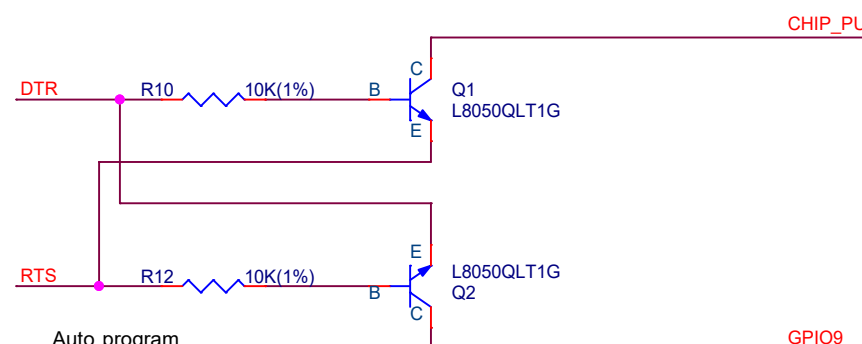
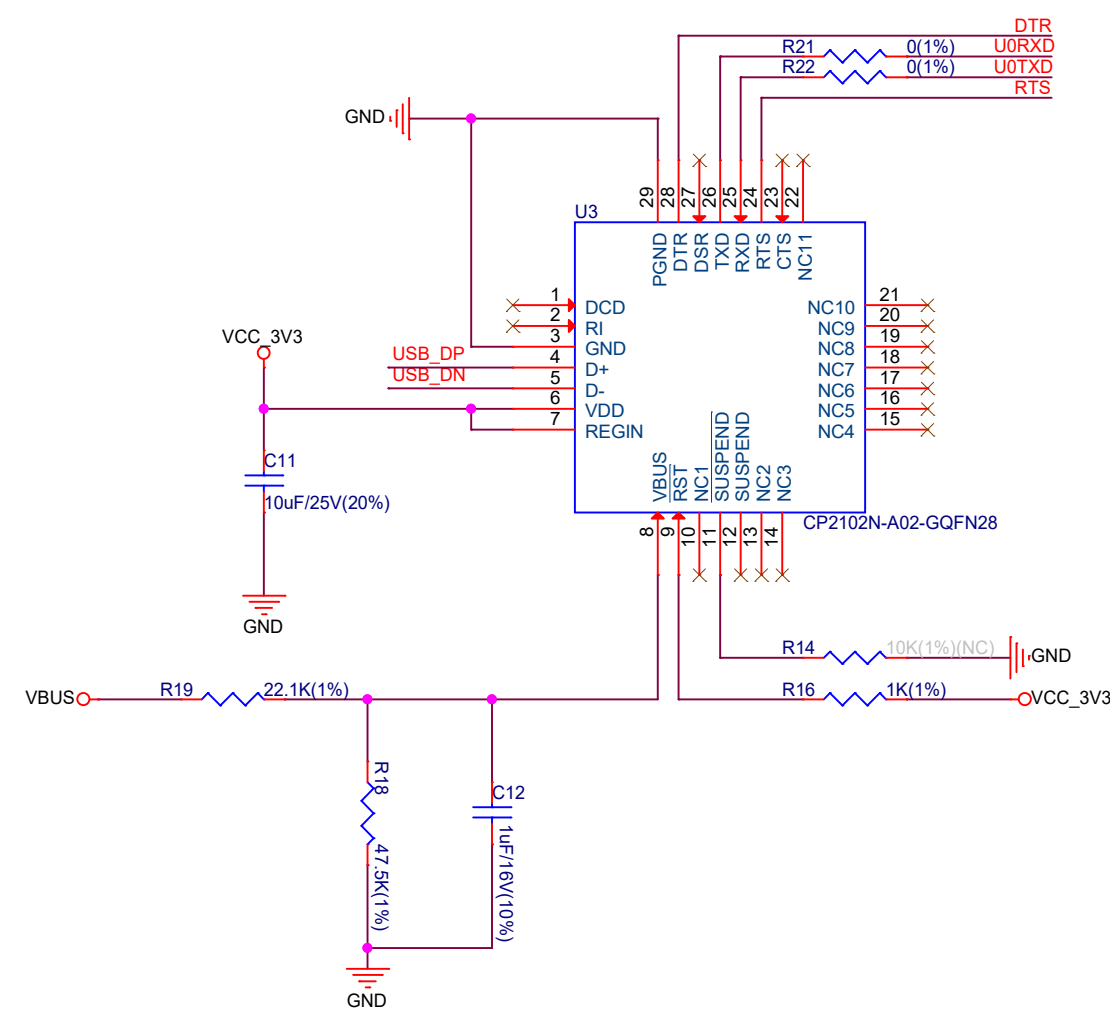
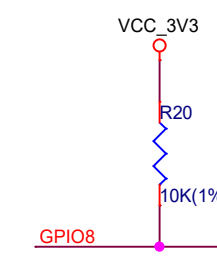


<b>ESPRESSIF</b>			
乐鑫科技(上海)股份有限公司			
Title: ESP8684-DevKitM-1			
Size	Document Number	Rev	
C	<01_DesignBlock>	V1.1	
Date:	Friday, April 01, 2022	Sheet	1 of 2



**ESP8684 BootMode:**

boot_sel[1:0]	BootMode
1x	SPI Boot Mode
01	Download Mode
boot_sel[1]	GPIO9
boot_sel[0]	GPIO8



Auto program

DTR	RTS-->EN	IO9
1	1	1
0	0	1
1	0	0
0	1	1

