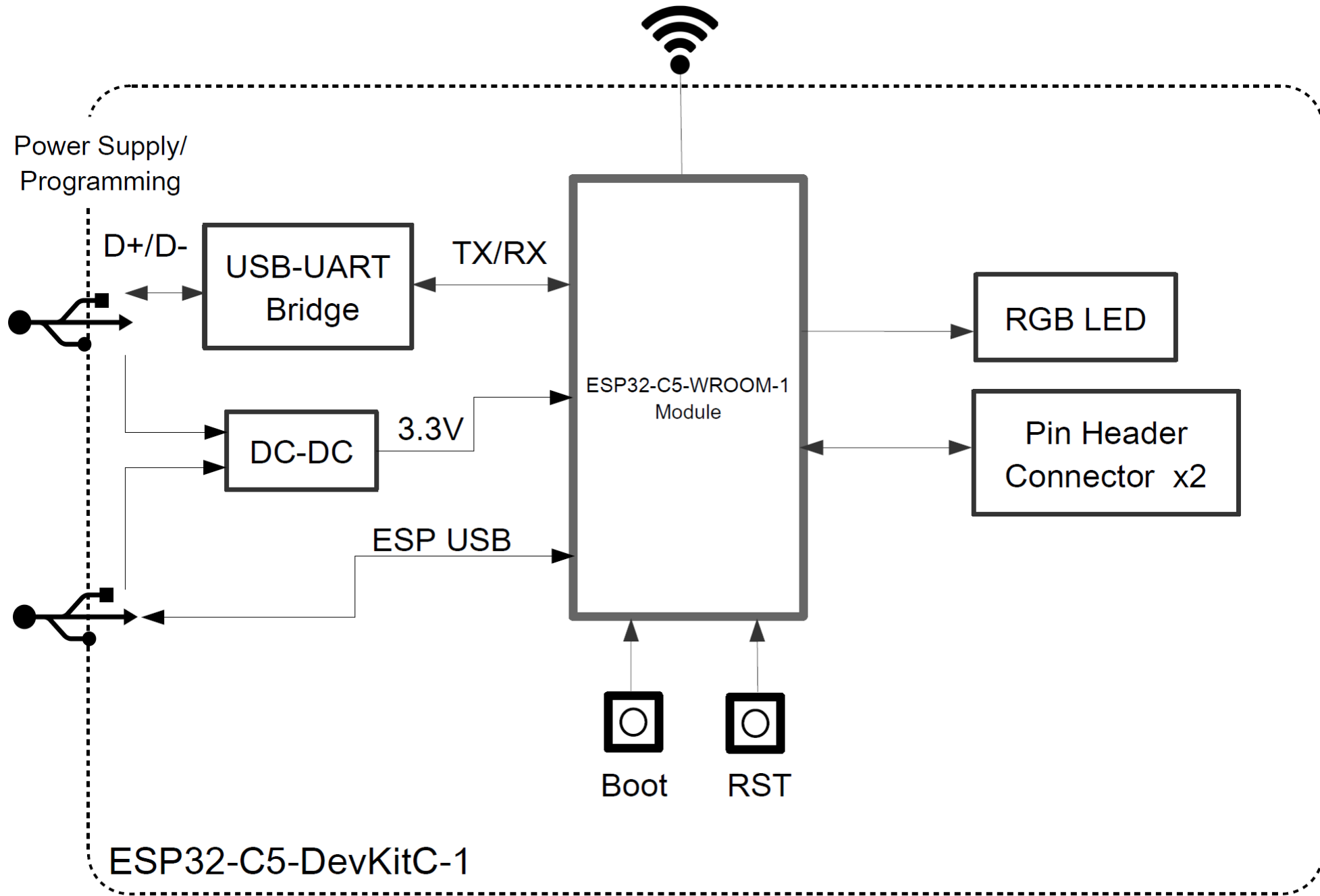


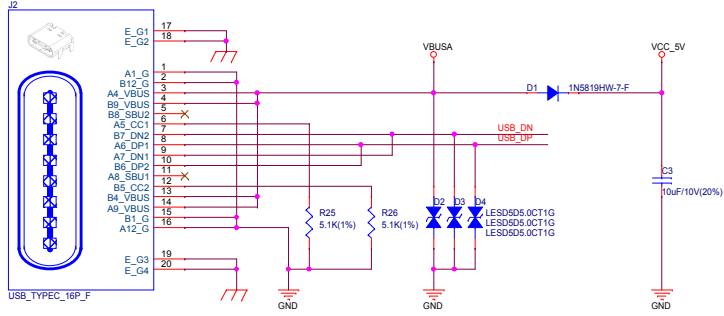
System Block:



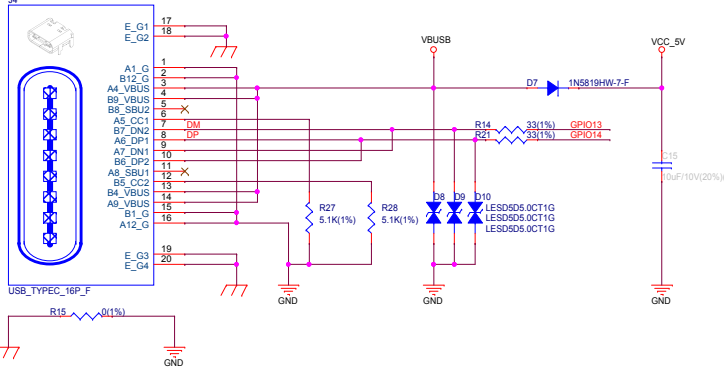
ESP32-C5-DevKitC-1

ESPRESSIF			
乐鑫信息科技(上海)股份有限公司			
Title: ESP32-C5-DevKitC-1			
Size: C	Page Name: 01 DesignBlock	Rev: V1.1	Proprietary
Date: Friday, June 21, 2024		Sheet: 1	of: 2

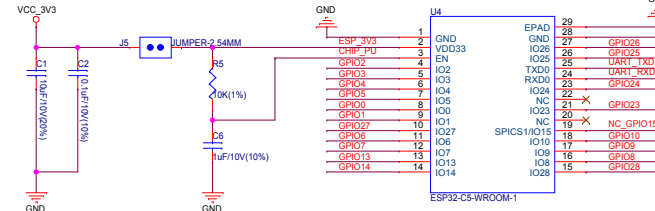
USB to UART:



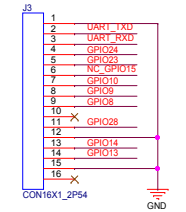
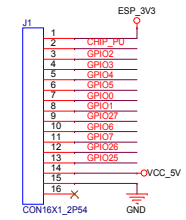
USB:



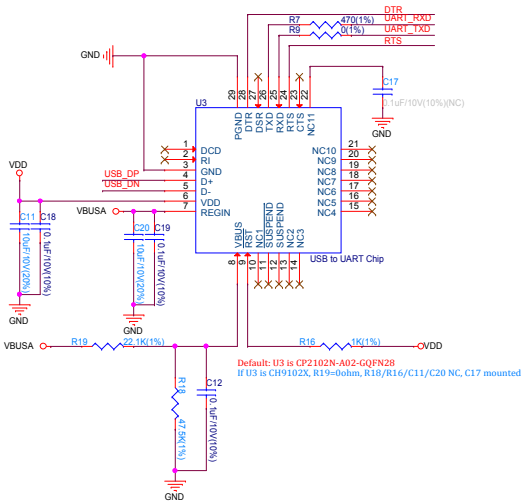
ESP32-C5-WROOM-1:



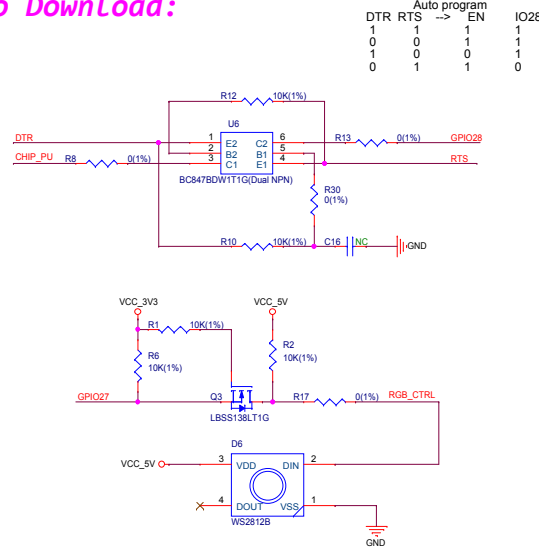
Pin Header:



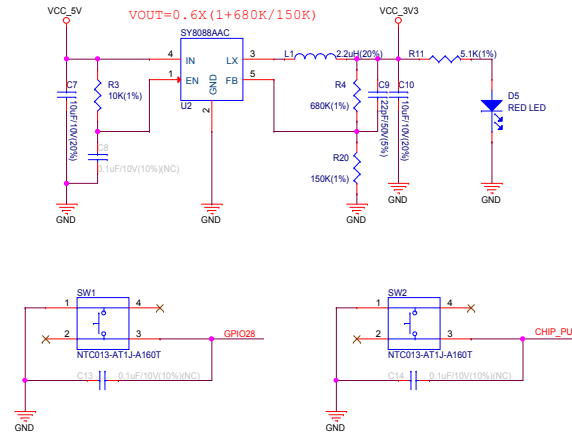
UART:



Auto Download:



Power Regulator:



ESPRESSIF

乐鑫信息科技(上海)股份有限公司

File ESP32-C5-DevKIC-1

Size Page Name

C 02 ESP32-C5-DevKIC-1

Date: Friday, June 21, 2024

Rev V1.1

Proprietary

Sheet 2 of 2