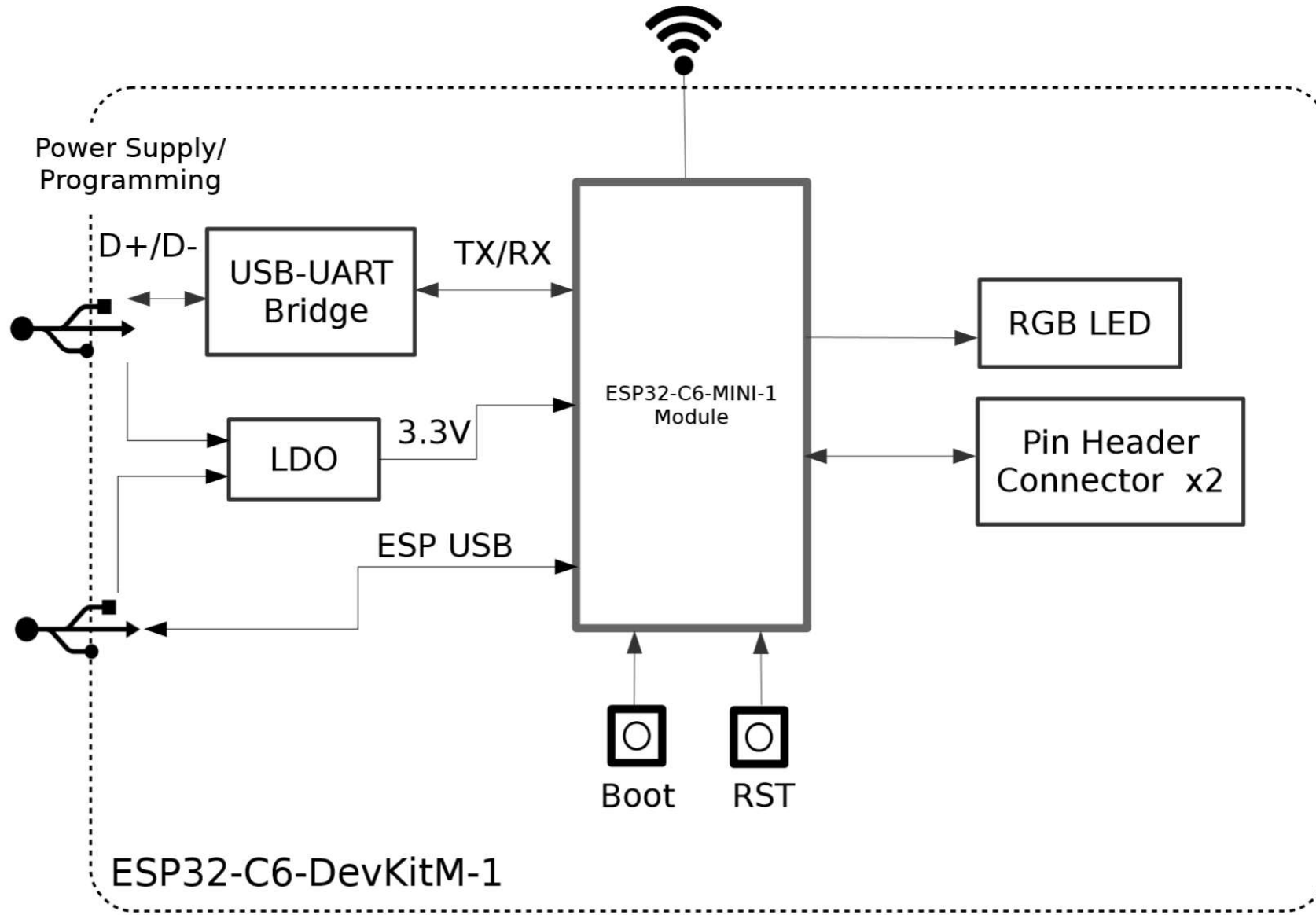
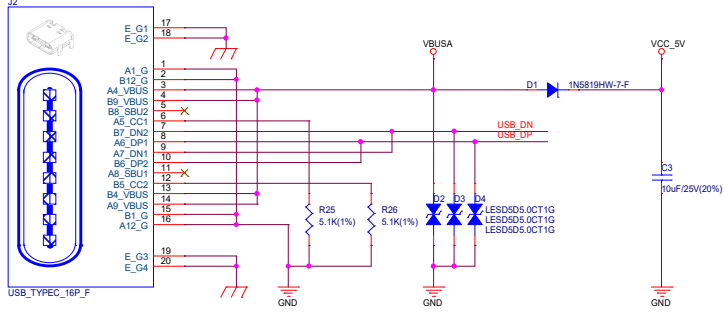


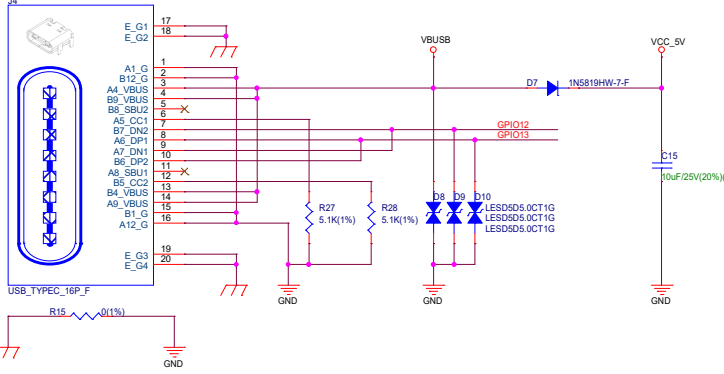
System Block:



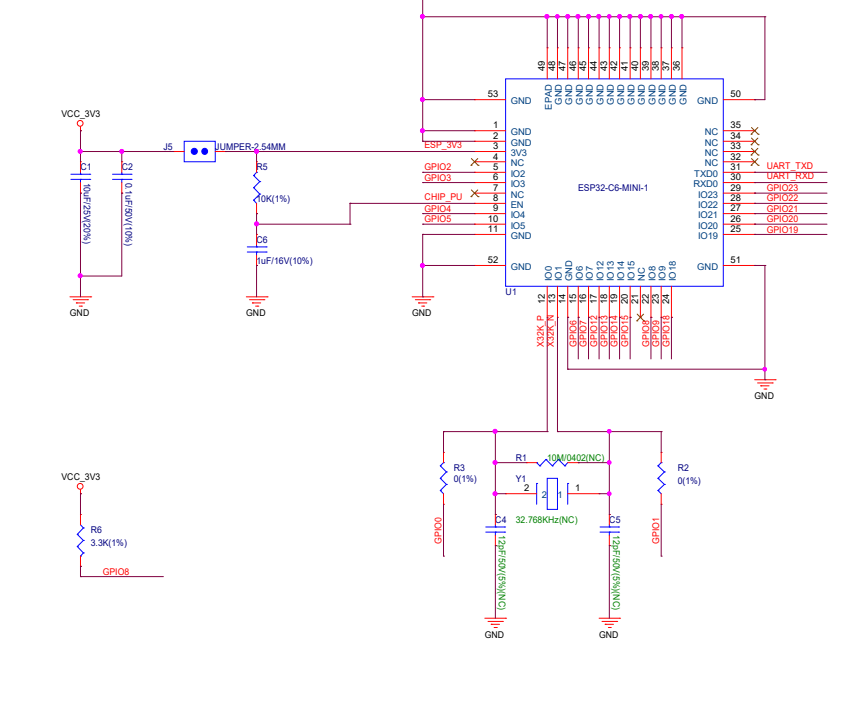
USB to UART:



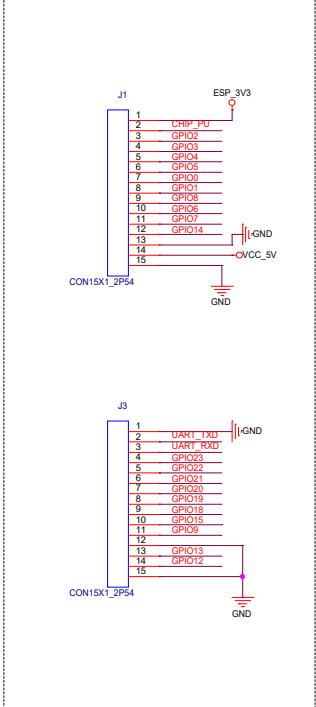
USB:



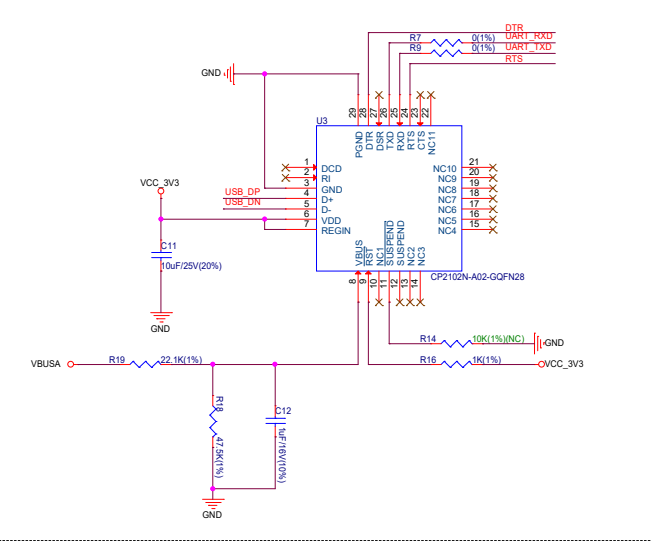
ESP32-C6-MINI-1:



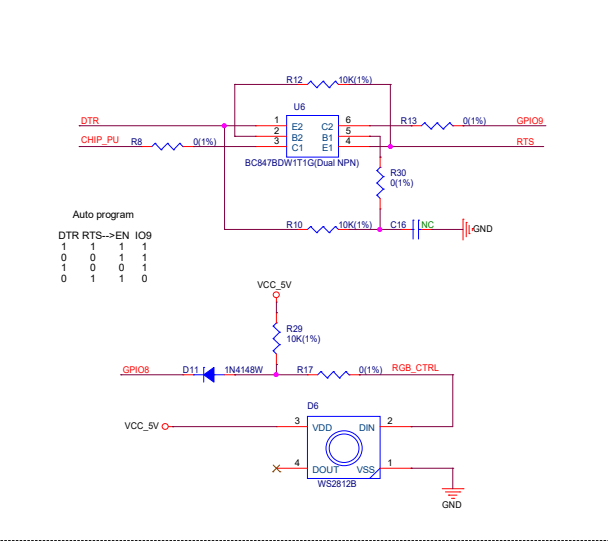
Pin Header:



UART:



Auto Download:



Power Regulator:

