

# ESP32-H2

## esp-dev-kits Documentation



Release master  
Espressif Systems  
Dec 18, 2024

# Table of contents

<b>Table of contents</b>	<b>i</b>
<b>1 ESP32-H2-DevKitM-1</b>	<b>3</b>
1.1 ESP32-H2-DevKitM-1 . . . . .	3
1.1.1 Getting Started . . . . .	3
1.1.2 Hardware Reference . . . . .	6
1.1.3 Hardware Revision Details . . . . .	8
1.1.4 Related Documents . . . . .	8
<b>2 Related Documentation and Resources</b>	<b>11</b>
2.1 Related Documentation . . . . .	11
2.2 Developer Zone . . . . .	11
2.3 Products . . . . .	12
2.4 Contact Us . . . . .	12
<b>3 Disclaimer and Copyright Notice</b>	<b>13</b>
<b>Bibliography</b>	<b>15</b>
<b>Bibliography</b>	<b>15</b>



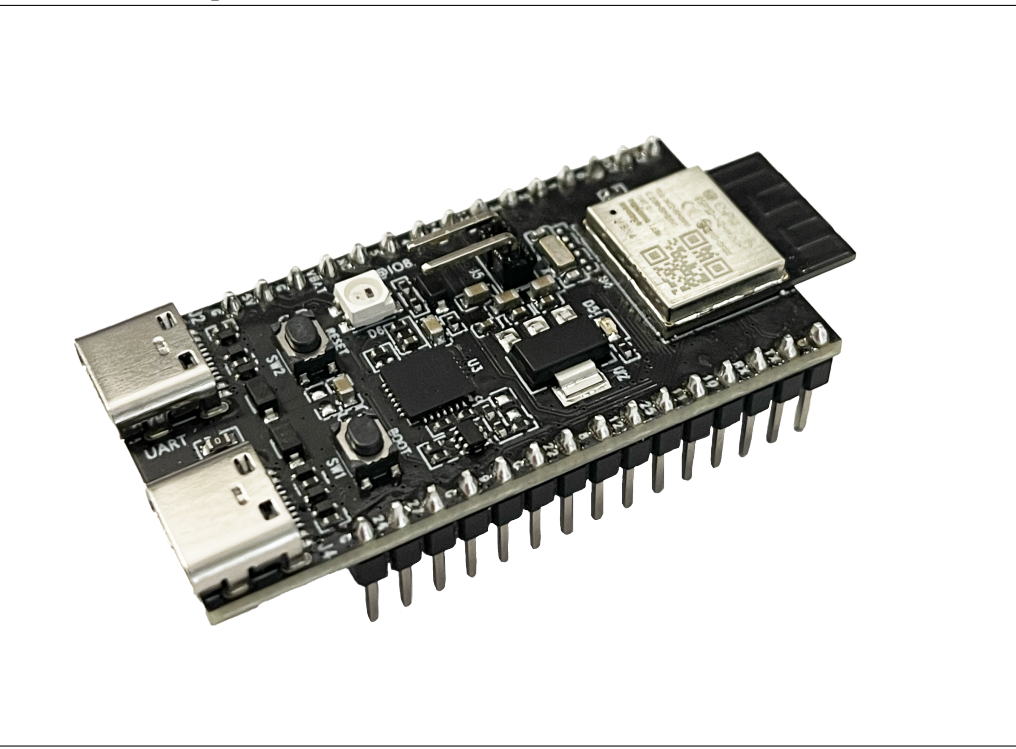
This document provides detailed user guides and examples for ESP32-H2 series development boards.

---

**Note:** For the full list of Espressif development boards, please go to [ESP DevKits](#).

---

ESP32-H2 Development Boards	
 A photograph of the ESP32-H2-DevKitM-1 development board. The board is black and populated with various components including a USB-C port, a USB-A port, a UART header, a push button, a potentiometer, and a large ESP32-H2 chip. A gold-colored module with a QR code is mounted on top. The board has a 40-pin header on the bottom edge.	
<a href="#">ESP32-H2-DevKitM-1</a>	



[ESP32-H2-DevKitM-1](#)



# Chapter 1

## ESP32-H2-DevKitM-1

ESP32-H2-DevKitM-1 is an entry-level development board based on Bluetooth® Low Energy and IEEE 802.15.4 combo module ESP32-H2-MINI-1 or ESP32-H2-MINI-1U. This user guide will help you get started with ESP32-H2-DevKitM-1 and will also provide more in-depth information.

### 1.1 ESP32-H2-DevKitM-1

This user guide will help you get started with ESP32-H2-DevKitM-1 and will also provide more in-depth information.

ESP32-H2-DevKitM-1 is an entry-level development board based on Bluetooth® Low Energy and IEEE 802.15.4 combo module ESP32-H2-MINI-1 or ESP32-H2-MINI-1U.

Most of the I/O pins on the ESP32-H2-MINI-1/1U module are broken out to the pin headers on both sides of this board for easy interfacing. Developers can either connect peripherals with jumper wires or mount ESP32-H2-DevKitM-1 on a breadboard.

The document consists of the following major sections:

- *Getting Started*: Overview of ESP32-H2-DevKitM-1 and hardware/software setup instructions to get started.
- *Hardware Reference*: More detailed information about the ESP32-H2-DevKitM-1's hardware.
- *Hardware Revision Details*: Revision history, known issues, and links to user guides for previous versions (if any) of ESP32-H2-DevKitM-1.
- *Related Documents*: Links to related documentation.

#### 1.1.1 Getting Started

This section provides a brief introduction of ESP32-H2-DevKitM-1, instructions on how to do the initial hardware setup and how to flash firmware onto it.

#### Description of Components

The description of components starts from the ESP32-H2-MINI-1/1U module on the left side and then goes clockwise.

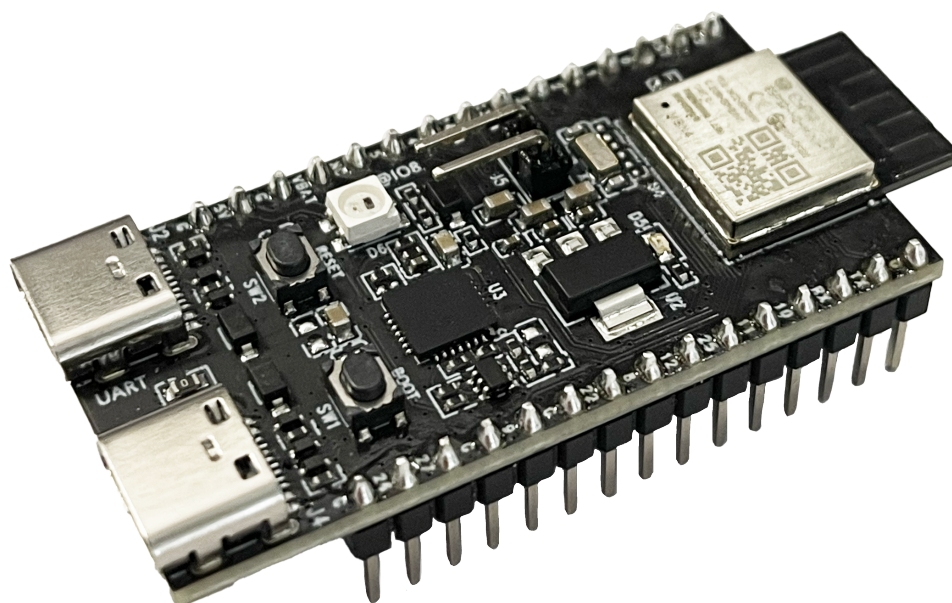


Fig. 1: ESP32-H2-DevKitM-1 (with ESP32-H2-MINI-1 on board)

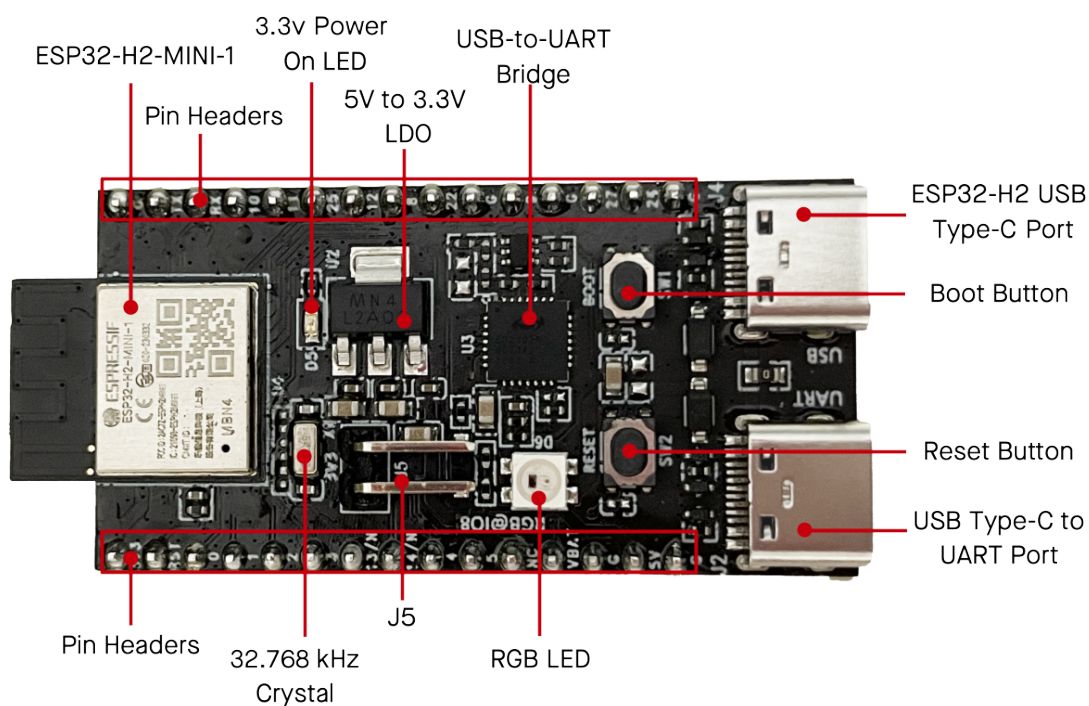


Fig. 2: ESP32-H2-DevKitM-1 - Front

Key Component	Description
ESP32-H2-MINI-1 or ESP32-H2-MINI-1U	ESP32-H2-MINI-1/1U, with ESP32-H2 inside which integrates a 2.4 GHz transceiver compliant with Bluetooth <sup>®</sup> Low Energy and IEEE 802.15.4-based technologies, supporting Bluetooth 5 (LE), Bluetooth mesh, Thread, Matter, and Zigbee. This module is specially designed for all kinds of low-power IoT applications.
Pin Headers	All available GPIO pins (except for the SPI bus for flash) are broken out to the pin headers on the board. For details, please see <a href="#">Header Block</a> .
3.3 V Power On LED	Turns on when the USB power is connected to the board.
5 V to 3.3 V LDO	Power regulator that converts a 5 V supply into a 3.3 V output.
USB-to-UART Bridge	Single USB-UART bridge chip provides transfer rates up to 3 Mbps.
ESP32-H2 USB Type-C Port	The USB Type-C port on the ESP32-H2 chip compliant with USB 2.0 full speed. It is capable of up to 12 Mbps transfer speed (Note that this port does not support the faster 480 Mbps high-speed transfer mode).
Boot Button	Download button. Holding down <b>Boot</b> and then pressing <b>Reset</b> initiates Firmware Download mode for downloading firmware through the serial port.
Reset Button	Press this button to restart the system.
USB Type-C to UART Port	Power supply for the board as well as the communication interface between a computer and the ESP32-H2 chip via USB-to-UART bridge.
RGB LED	Addressable RGB LED, driven by GPIO8.
J5	Used for current measurement. See details in Section <a href="#">Current Measurement</a> .
32.768 kHz Crystal [A]	ESP32-H2 supports an external 32.768 kHz crystal to act as the Low-Power clock. This external Low-Power clock source enhances timing accuracy and consequently decreases average power consumption, without impacting functionality.

## Start Application Development

Before powering up your ESP32-H2-DevKitM-1, please make sure that it is in good condition with no obvious signs of damage.

### Required Hardware

- ESP32-H2-DevKitM-1
- USB-A to USB-C (Type C) cable
- Computer running Windows, Linux, or macOS

---

**Note:** Some USB cables can only be used for charging, not data transmission and programming. Please choose accordingly.

---

**Software Setup** Please proceed to [Get Started](#), where Section [Installation](#) will quickly help you set up the development environment and then flash an application example onto your ESP32-H2-DevKitM-1.

### Contents and Packaging

**Ordering Information** The development board has a variety of variants to choose from, as shown in the table below.



Ordering Code	On-board Module	Flash [B]	PSRAM	Antenna
ESP32-H2-DevKitM-1-N4	ESP32-H2-MINI-1	4 MB	0 MB	PCB on-board antenna
ESP32-H2-DevKitM-1U-N4	ESP32-H2-MINI-1U	4 MB	0 MB	External antenna connector

**Retail Orders** If you order one or several samples, each ESP32-H2-DevKitM-1 comes in an individual package in either antistatic bag or any packaging depending on your retailer.

For retail orders, please go to <https://www.espressif.com/en/company/contact/buy-a-sample>.

**Wholesale Orders** If you order in bulk, the boards come in large cardboard boxes.

For wholesale orders, please go to <https://www.espressif.com/en/contact-us/sales-questions>.

## 1.1.2 Hardware Reference

### Block Diagram

The block diagram below shows the components of ESP32-H2-DevKitM-1 and their interconnections.

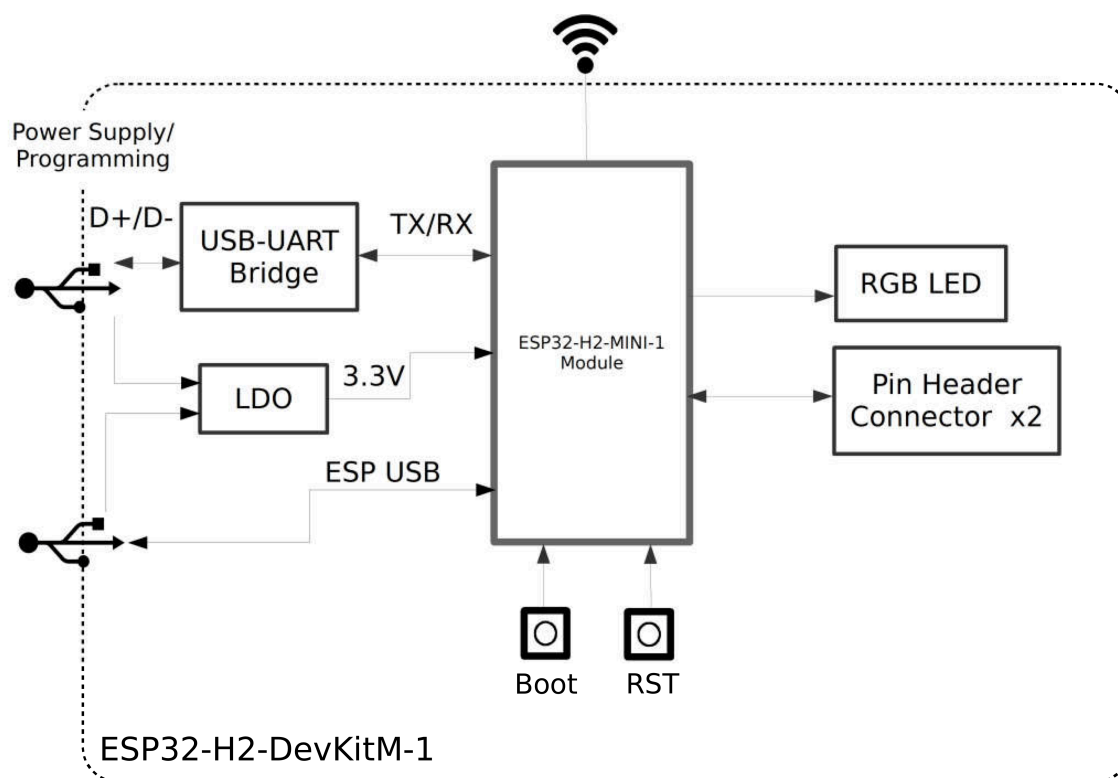


Fig. 3: ESP32-H2-DevKitM-1

**Power Supply Options** There are three mutually exclusive ways to provide power to the board:

- USB Type-C to UART port, default power supply
- 5V and GND pin headers
- 3V3 and GND pin headers

## Current Measurement

The J5 headers on ESP32-H2-DevKitM-1 (see J5 in Figure [ESP32-H2-DevKitM-1 - Front](#)) can be used for measuring the current drawn by the ESP32-H2-MINI-1/1U module:

- Remove the jumper: Power supply between the module and peripherals on the board is cut off. To measure the module's current, connect the board with an ammeter via J5 headers.
- Apply the jumper (factory default): Restore the board's normal functionality.

---

**Note:** When using 3V3 and GND pin headers to power the board, please remove the J5 jumper, and connect an ammeter in series to the external circuit to measure the module's current.

---

## Header Block

The two tables below provide the **Name** and **Function** of the pin headers on both sides of the board (J1 and J3). The pin header names are shown in *Pin Layout*. The numbering is the same as in the ESP32-H2-DevKitM-1 Schematic. (see attached PDF).

### J1

No.	Name	Type <sup>1</sup>	Function
1	3V3	P	3.3 V power supply
2	RST	I	High: enables the chip; Low: the chip powers off; connected to the internal pull-up resistor by default
3	0	I/O/T	GPIO0, FSPIQ
4	1	I/O/T	GPIO1, FSPICS0, ADC1_CH0
5	2	I/O/T	GPIO2, FSPIWP, ADC1_CH1, MTMS
6	3	I/O/T	GPIO3, FSPIHD, ADC1_CH2, MTDO
7	13/N	I/O/T	GPIO13, XTAL_32K_P <sup>2</sup>
8	14/N	I/O/T	GPIO14, XTAL_32K_N <sup>3</sup>
9	4	I/O/T	GPIO4, FSPICLK, ADC1_CH3, MTCK
10	5	I/O/T	GPIO5, FSPID, ADC1_CH4, MTDI
11	NC	–	NC
12	VBAT	P	3.3 V power supply or battery
13	G	P	Ground
14	5V	P	5 V power supply
15	G	P	Ground

<sup>1</sup> P: Power supply; I: Input; O: Output; T: High impedance.

<sup>2</sup> When connected to XTAL\_32K\_P inside the module, this pin cannot be used for other purpose.

<sup>3</sup> When connected to XTAL\_32K\_N inside the module, this pin cannot be used for other purpose.

J3

No.	Name	Type <sup>1</sup>	Function
1	G	P	Ground
2	TX	I/O/T	GPIO24, FSPICS2, U0TXD
3	RX	I/O/T	GPIO23, FSPICS1, U0RXD
4	10	I/O/T	GPIO10, ZCD0
5	11	I/O/T	GPIO11, ZCD1
6	25	I/O/T	GPIO25, FSPICS3
7	12	I/O/T	GPIO12
8	8	I/O/T	GPIO8 <sup>4</sup> , LOG
9	22	I/O/T	GPIO22
10	G	P	Ground
11	9	I/O/T	GPIO9, BOOT
12	G	P	Ground
13	27	I/O/T	GPIO27, FSPICS5, USB_D+
14	26	I/O/T	GPIO26, FSPICS4, USB_D-
15	G	P	Ground

For more information about pin description, please see [ESP32-H2 Datasheet](#).

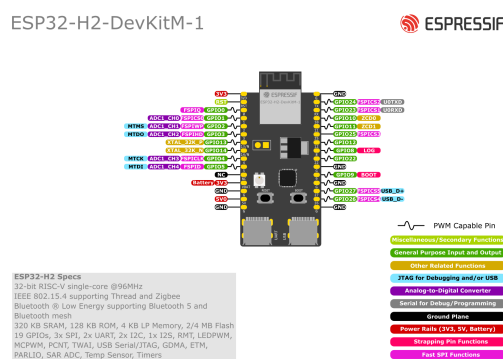


Fig. 4: ESP32-H2-DevKitM-1 Pin Layout

## Pin Layout

### 1.1.3 Hardware Revision Details

- For boards with the PW number of and after PW-2024-02-0362 (on and after February 2024), the 32.768 kHz crystal is populated by default, while the series resistor connected here to the surrounding pins is updated to not populated. To optimize the circuit, the series resistor R7 on the UART\_RXD has been updated to 470  $\Omega$ .

**Note:** The PW number can be found in the product label on the large cardboard boxes for wholesale orders.

### 1.1.4 Related Documents

- [ESP32-H2 Datasheet \(PDF\)](#)
- [ESP32-H2-MINI-1/1U Datasheet \(PDF\)](#)
- [ESP32-H2-DevKitM-1 Schematics v1.3 \(Applies to boards of and after PW-2024-02-0362\) \(PDF\)](#)
- [ESP32-H2-DevKitM-1 Schematics v1.2 \(Applies to boards before PW-2024-02-0362\) \(PDF\)](#)

<sup>4</sup> Used for driving RGB LED inside the module.

- [ESP32-H2-DevKitM-1 PCB Layout \(PDF\)](#)
- [ESP32-H2-DevKitM-1 Dimensions \(PDF\)](#)
- [ESP32-H2-DevKitM-1 Dimensions source file \(DXF\)](#)

For further design documentation for the board, please contact us at [sales@espressif.com](mailto:sales@espressif.com).



## Chapter 2

# Related Documentation and Resources

### 2.1 Related Documentation

- [ESP32-H2 Datasheet](#) –Specifications of the ESP32-H2 hardware.
- [ESP32-H2 Technical Reference Manual](#) –Detailed information on how to use the ESP32-H2 memory and peripherals.
- [ESP32-H2 Hardware Design Guidelines](#) –Guidelines on how to integrate the ESP32-H2 into your hardware product.
- [ESP32-H2 Product/Process Change Notifications \(PCN\)](#)  
<https://espressif.com/en/support/documents/pcns?keys=ESP32-H2>
- [ESP32-H2 Advisories](#) –Information on security, bugs, compatibility, component reliability.  
<https://espressif.com/en/support/documents/advisories?keys=ESP32-H2>
- [Certificates](#)  
<https://espressif.com/en/support/documents/certificates>
- [Documentation Updates and Update Notification Subscription](#)  
<https://espressif.com/en/support/download/documents>

### 2.2 Developer Zone

- [ESP-IDF Programming Guide for ESP32-H2](#) –Extensive documentation for the ESP-IDF development framework.
- [ESP-IoT-Solution Programming Guide](#) - Extensive documentation for the ESP-IoT-Solution development framework.
- [ESP-FAQ](#) - A summary document of frequently asked questions released by Espressif.
- [ESP-IDF and other development frameworks on GitHub](#).  
<https://github.com/espressif>
- [ESP32 BBS Forum](#) –Engineer-to-Engineer (E2E) Community for Espressif products where you can post questions, share knowledge, explore ideas, and help solve problems with fellow engineers.  
<https://esp32.com/>
- [The ESP Journal](#) –Best Practices, Articles, and Notes from Espressif folks.  
<https://blog.espressif.com/>
- [See the tabs SDKs and Demos, Apps, Tools, AT Firmware](#).  
<https://espressif.com/en/support/download/sdks-demos>

## 2.3 Products

- ESP32-H2 Series SoCs –Browse through all ESP32-H2 SoCs.  
<https://espressif.com/en/products/socs?id=ESP32-H2>
- ESP32-H2 Series Modules –Browse through all ESP32-H2-based modules.  
<https://espressif.com/en/products/modules?id=ESP32-H2>
- ESP32-H2 Series DevKits –Browse through all ESP32-H2-based devkits.  
<https://espressif.com/en/products/devkits?id=ESP32-H2>
- ESP Product Selector –Find an Espressif hardware product suitable for your needs by comparing or applying filters.  
<https://products.espressif.com/#/product-selector>

## 2.4 Contact Us

- See the tabs Sales Questions, Technical Enquiries, Circuit Schematic & PCB Design Review, Get Samples (Online stores), Become Our Supplier, Comments & Suggestions.  
<https://espressif.com/en/contact-us/sales-questions>

## Chapter 3

# Disclaimer and Copyright Notice

Information in this document, including URL references, is subject to change without notice.

All third party's information in this document is provided as is with no warranties to its authenticity and accuracy.

No warranty is provided to this document for its merchantability, non-infringement, fitness for any particular purpose, nor does any warranty otherwise arising out of any proposal, specification or sample.

All liability, including liability for infringement of any proprietary rights, relating to use of information in this document is disclaimed. No licenses express or implied, by estoppel or otherwise, to any intellectual property rights are granted herein.

The Wi-Fi Alliance Member logo is a trademark of the Wi-Fi Alliance. The Bluetooth logo is a registered trademark of Bluetooth SIG.

All trade names, trademarks and registered trademarks mentioned in this document are property of their respective owners, and are hereby acknowledged.





# Bibliography

[A] Boards with the PW number before PW-2024-02-0362 (before February 2024) does not populate a 32.768 kHz crystal by default.

[B] The flash is integrated in the chip's package.