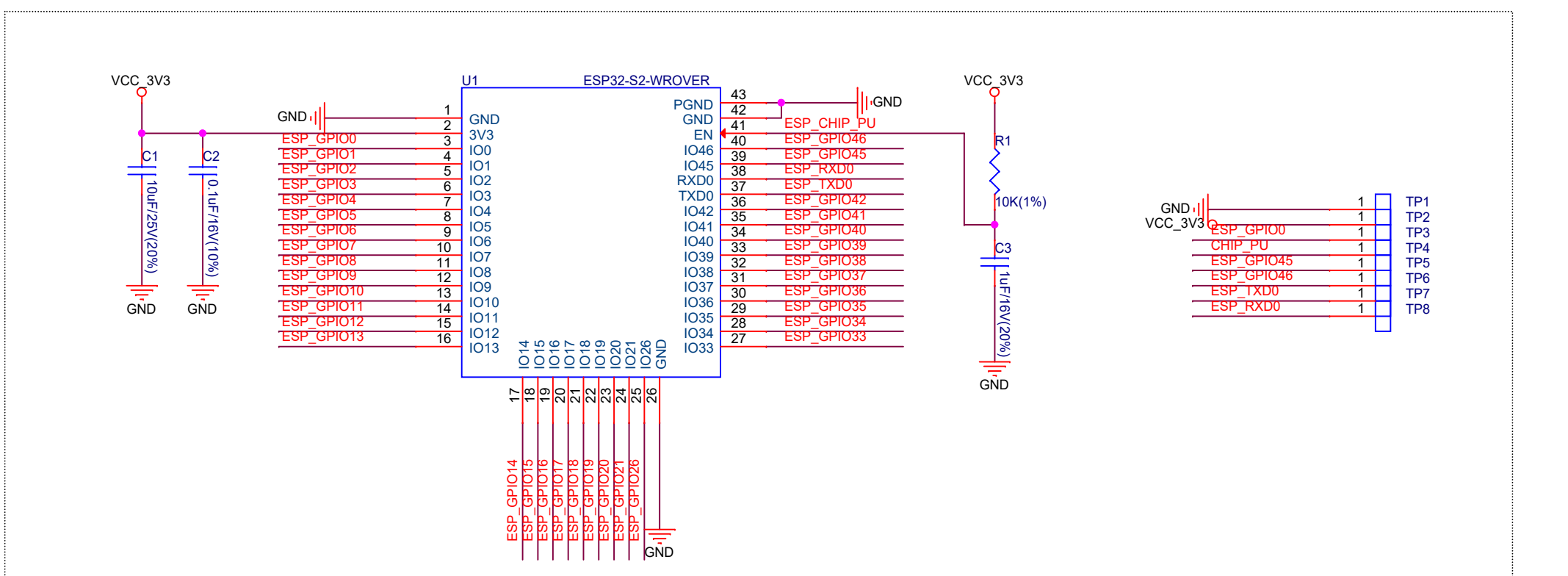
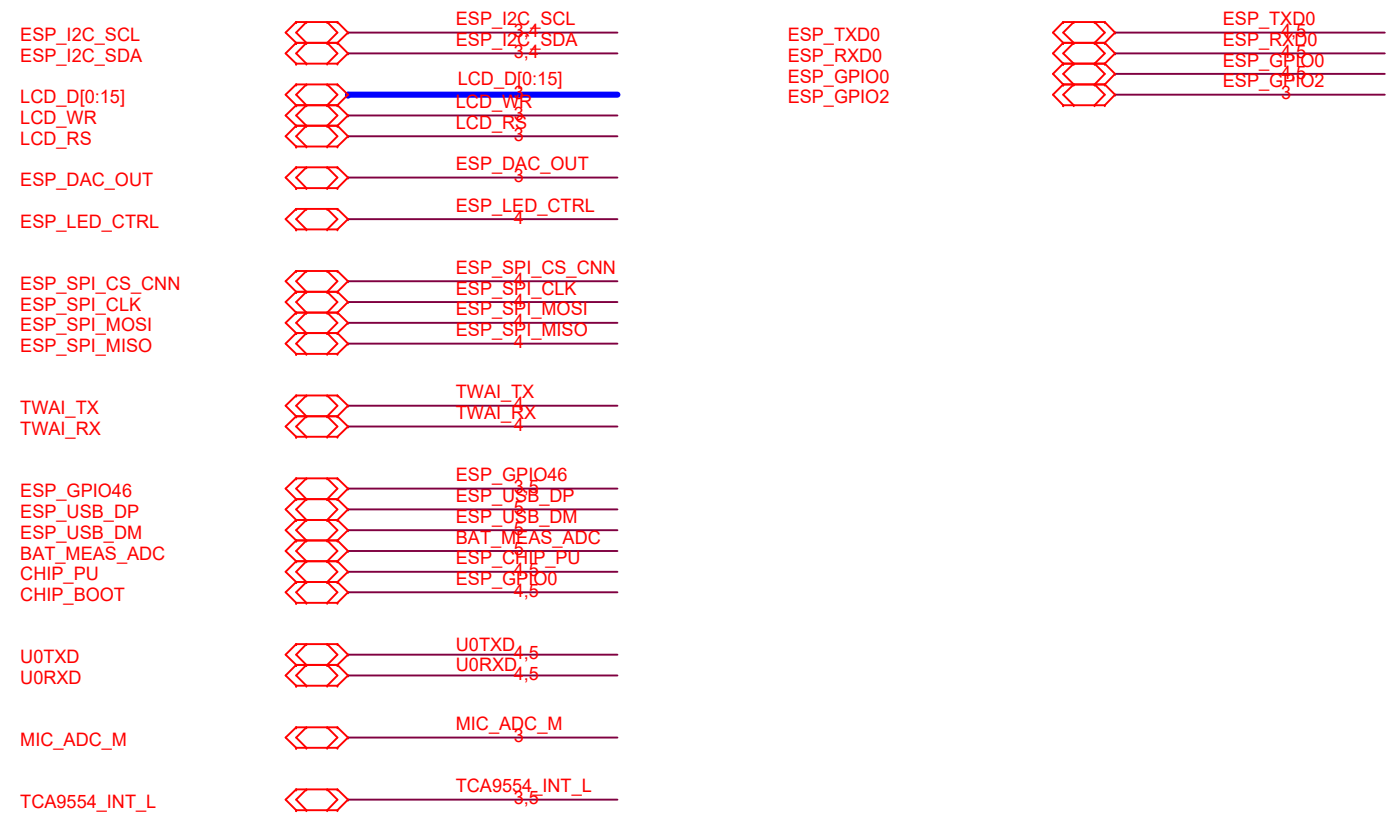
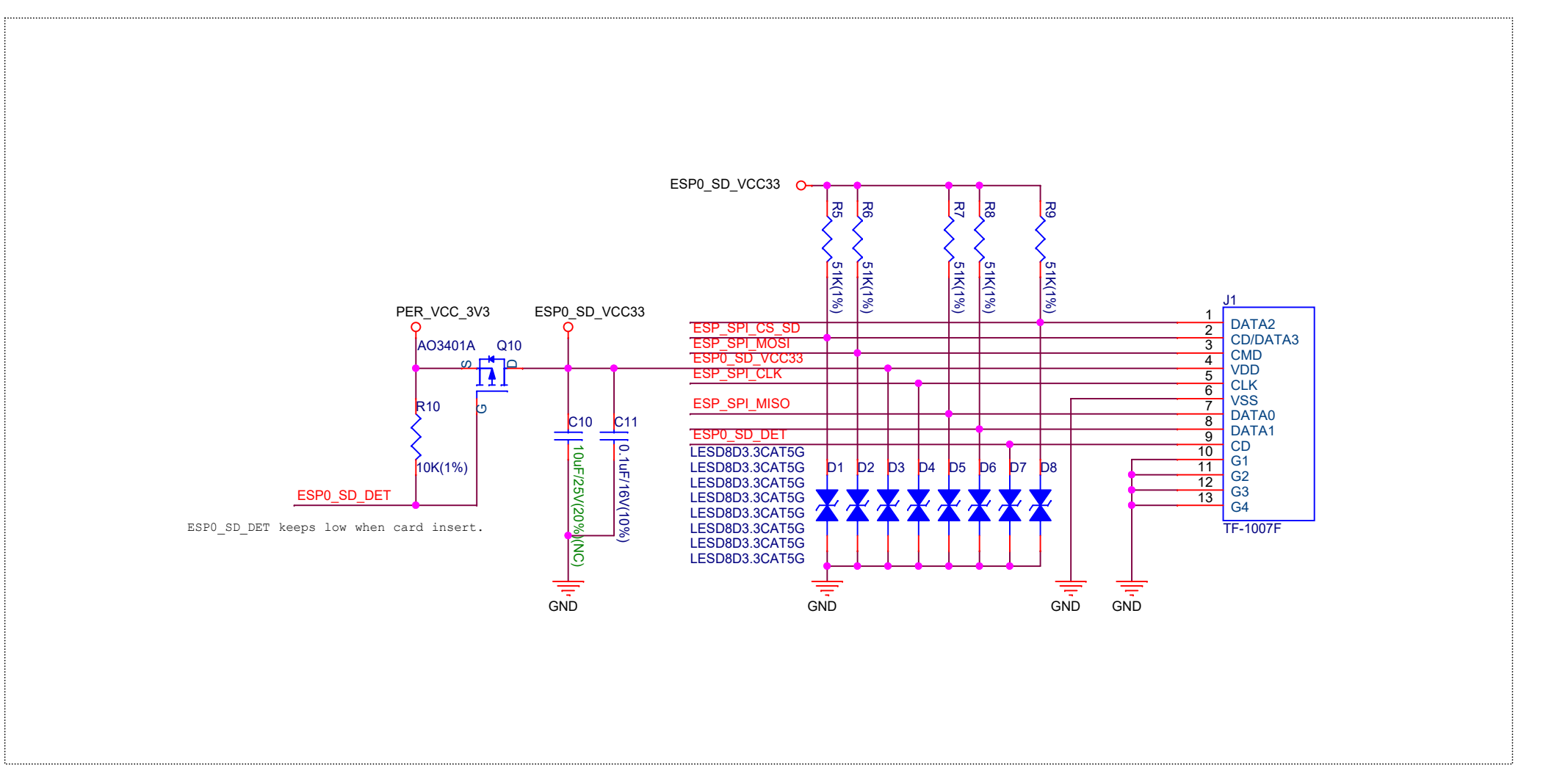
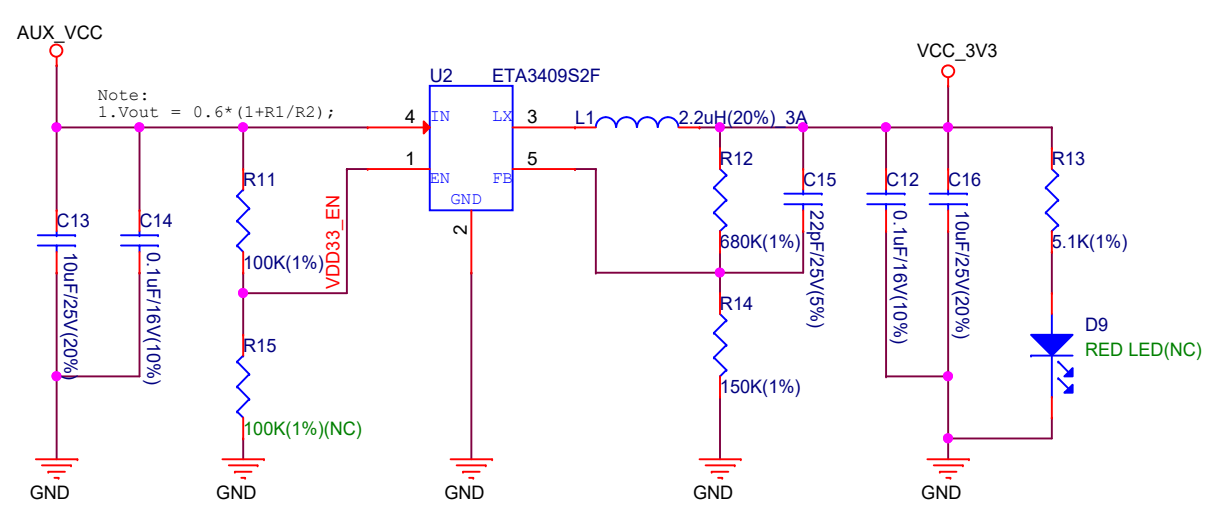
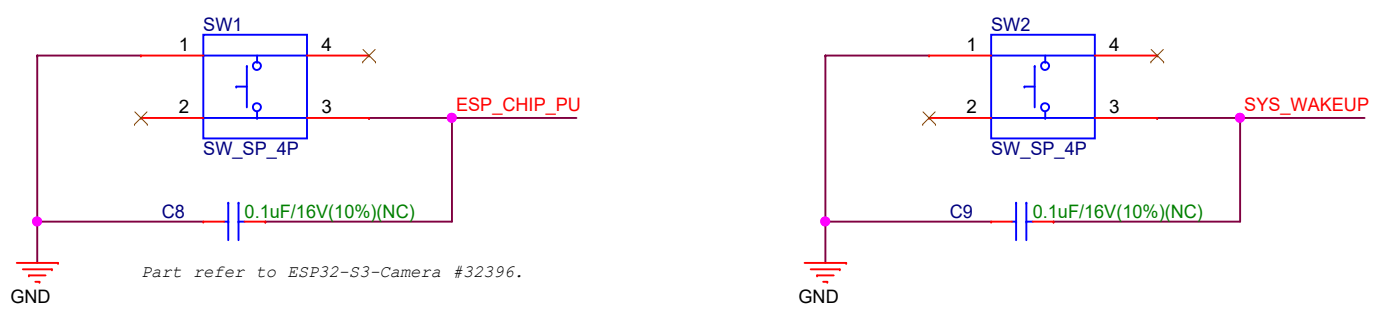
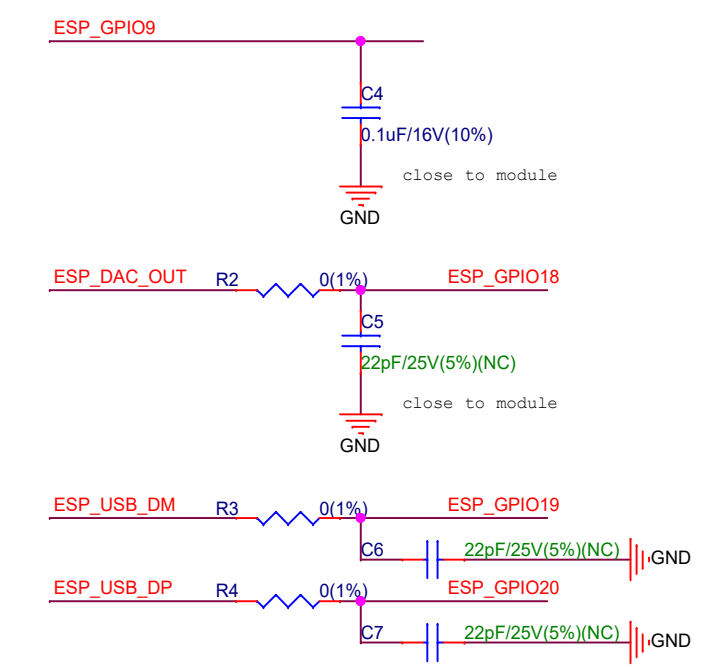
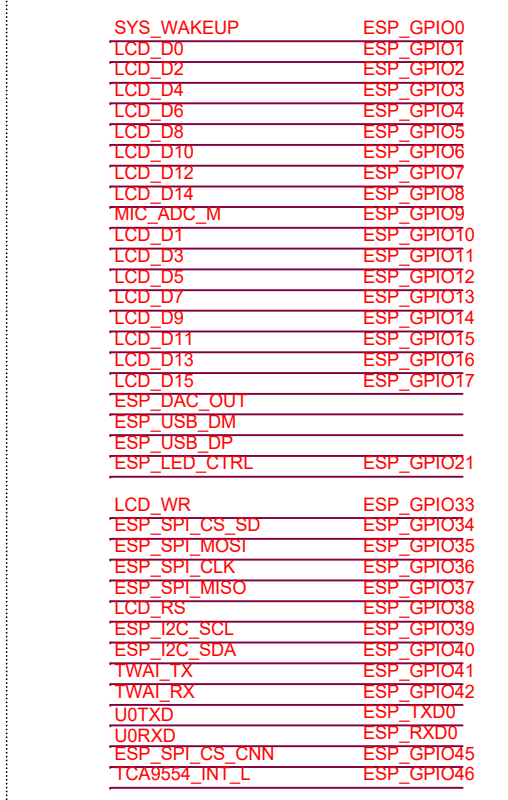
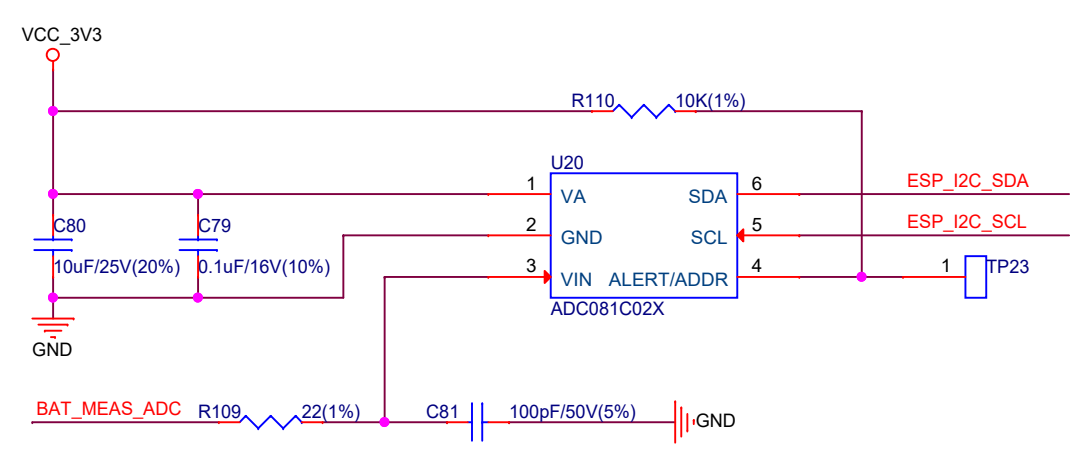


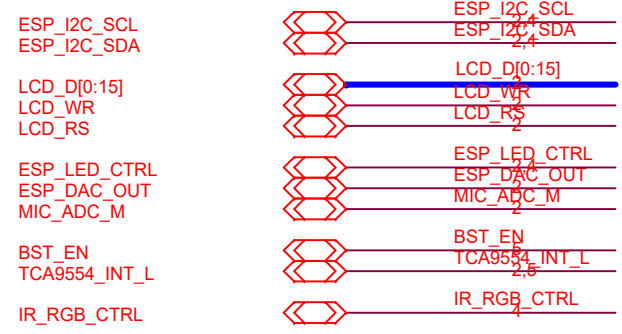
System Block:

ESPRESSIF		
乐鑫信息科技(上海)股份有限公司		
Title ESP32-S2-HMI-DevKit-1		
Size	Document Number	Rev
C	01_DesignBlock	1.1
Date: Wednesday, May 26, 2021		
Sheet 1 of 5		

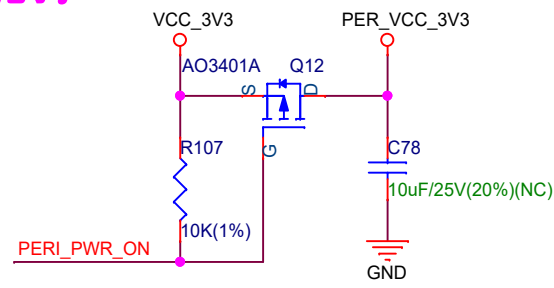


I2C ADC:

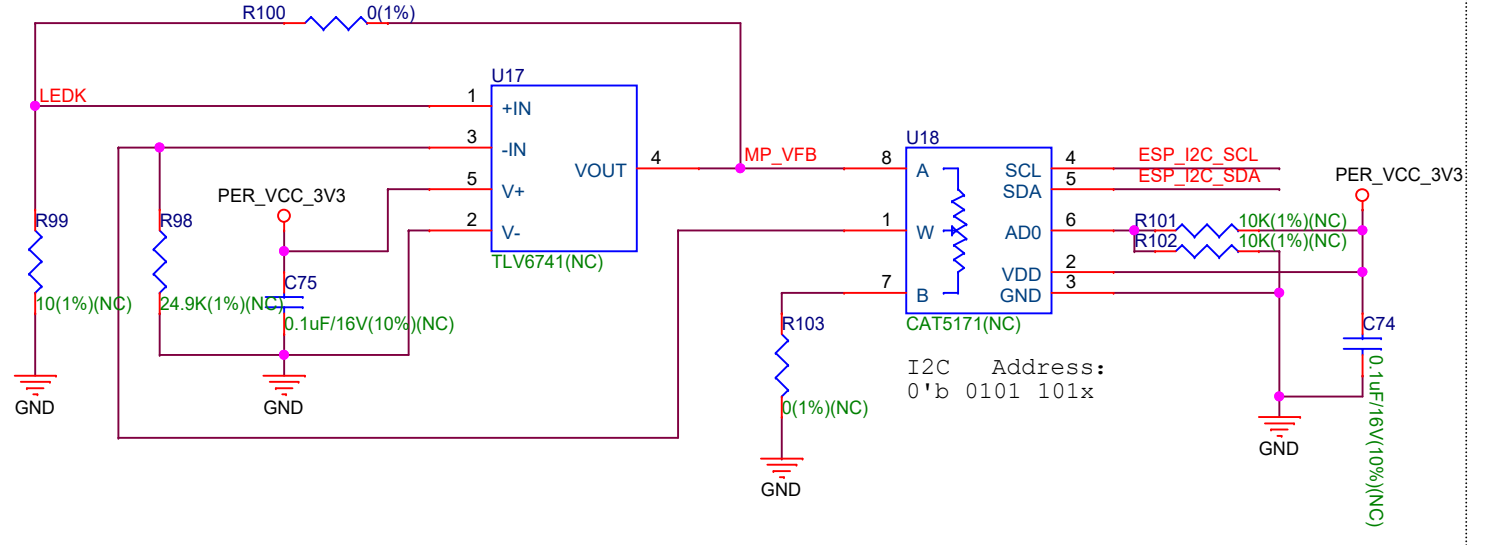
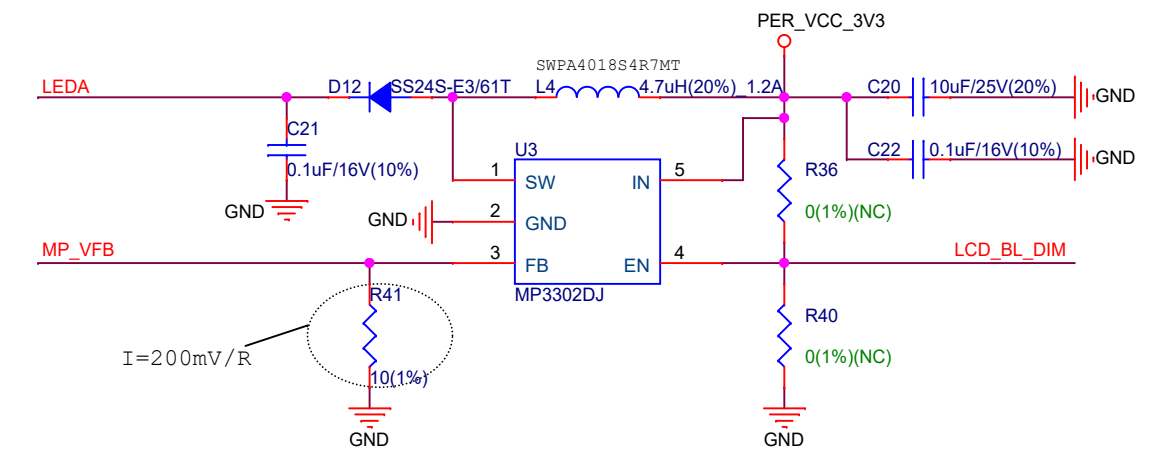
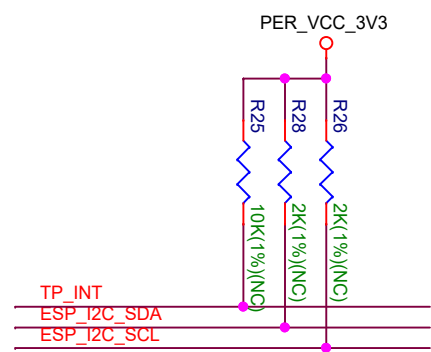
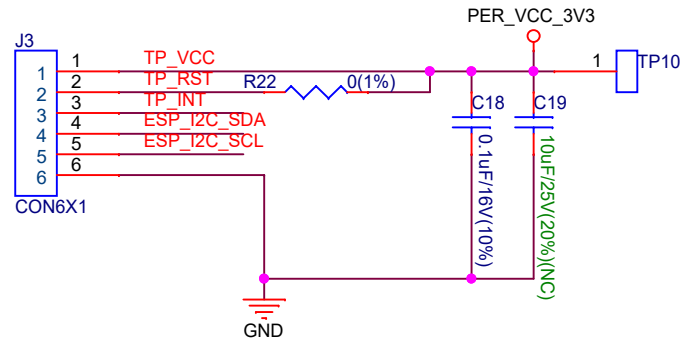
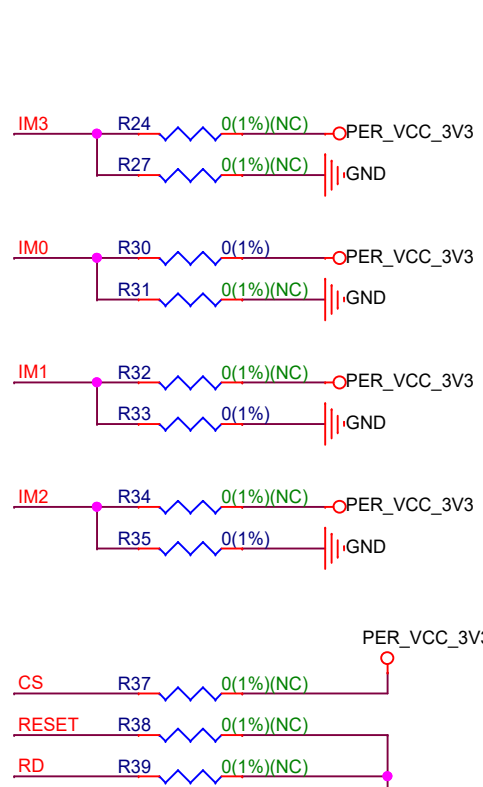
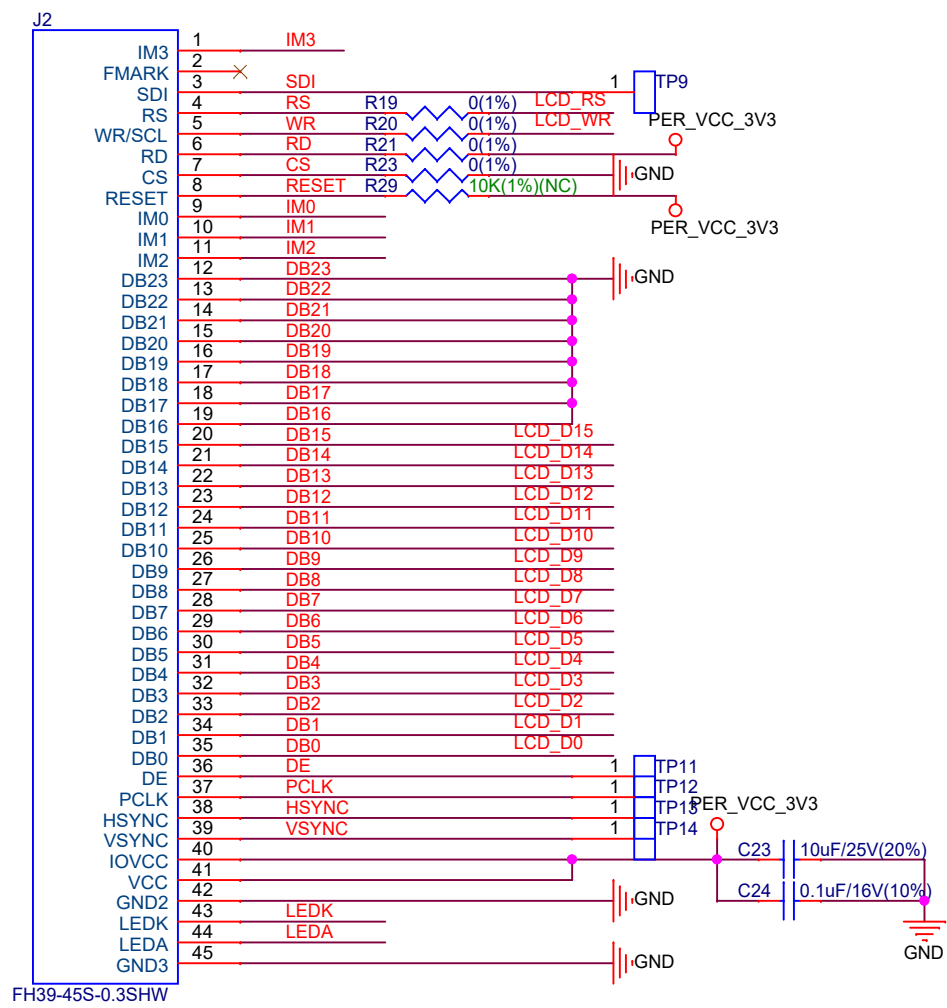




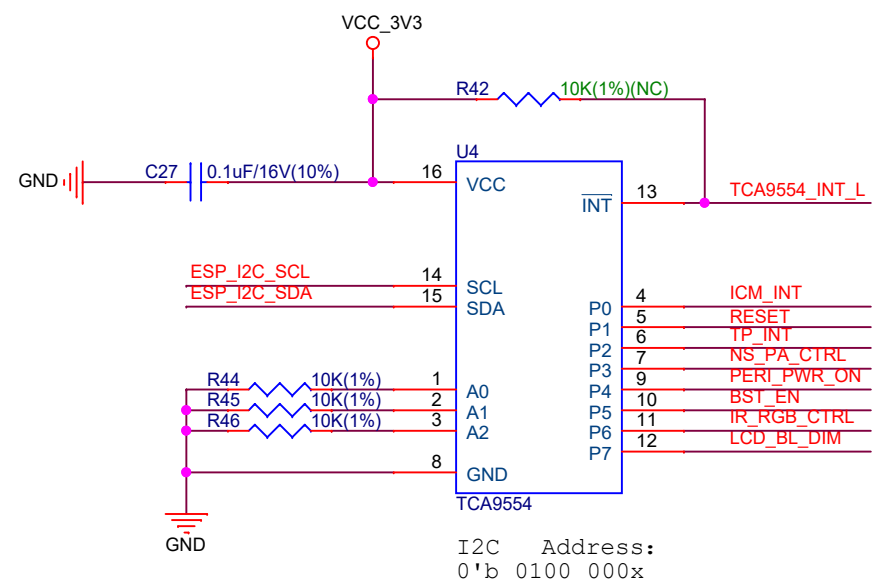
Peri_PWR:



LCD Display:

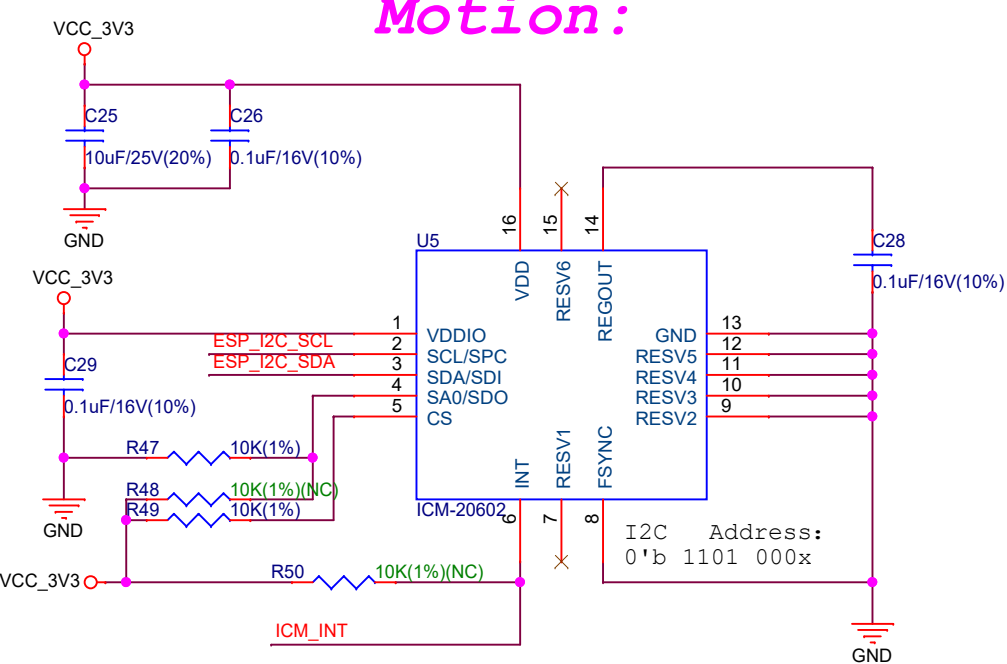


I/O Expander:

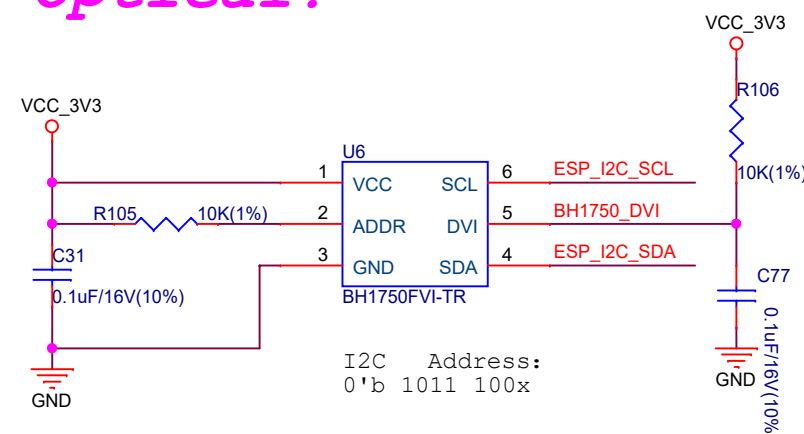


Sensors:

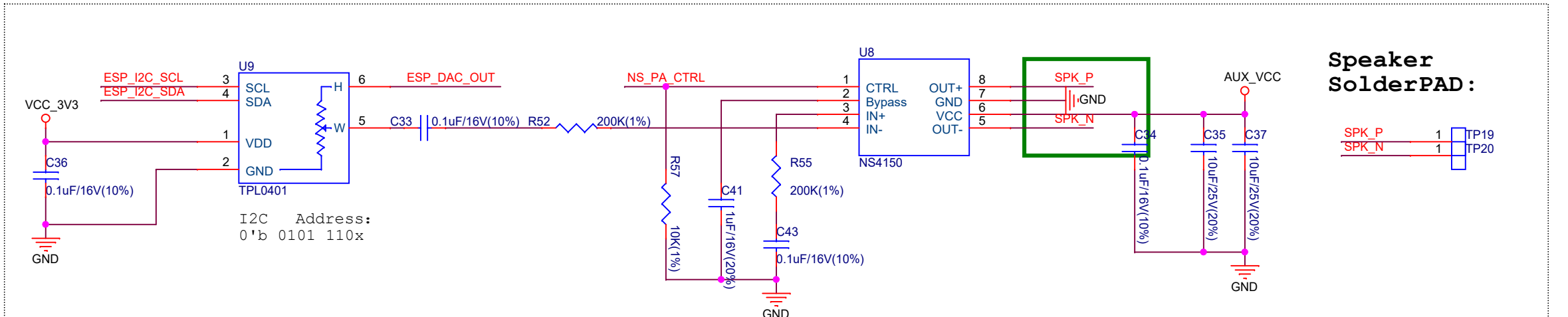
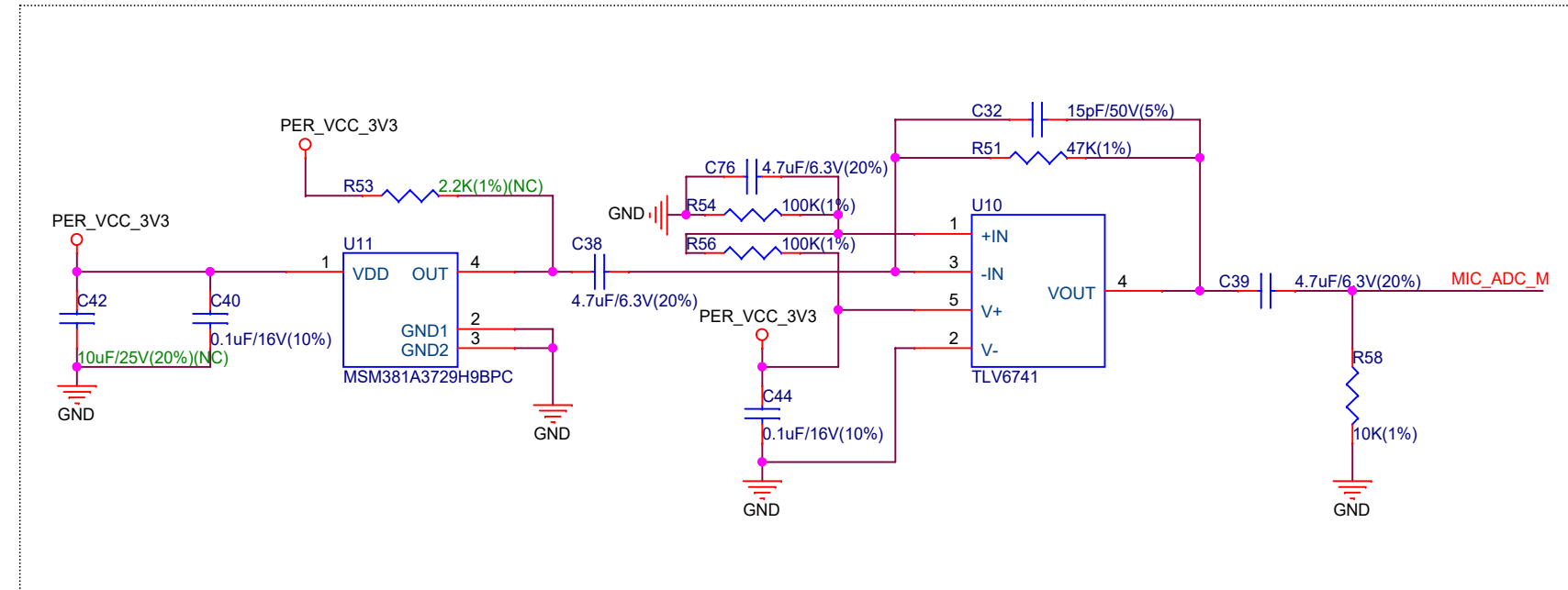
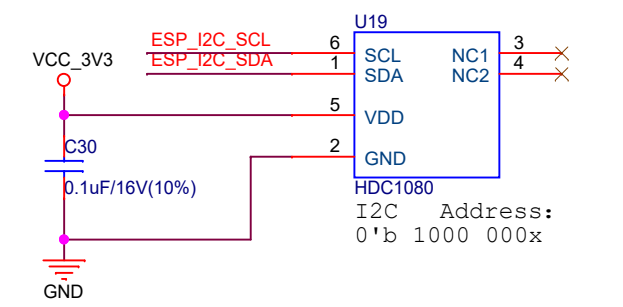
Motion:



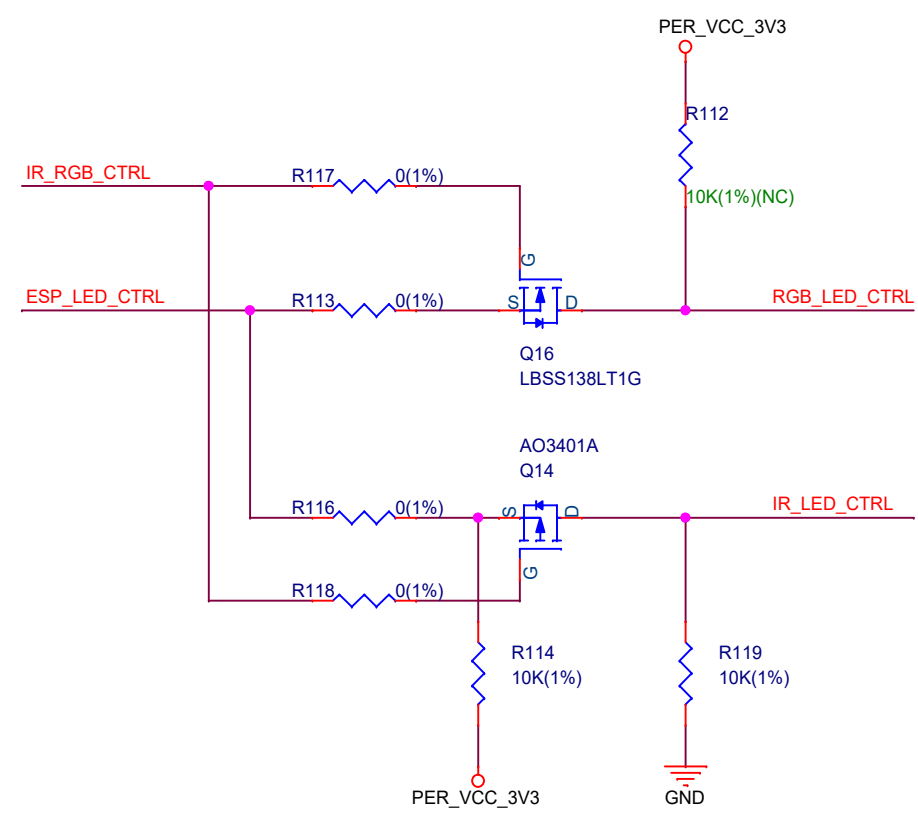
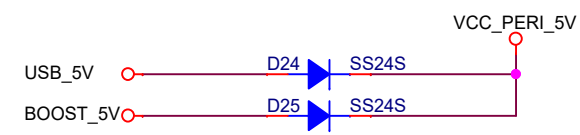
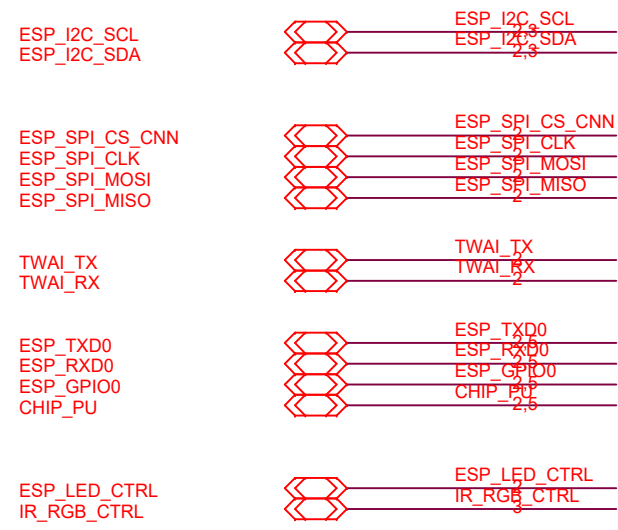
Optical:



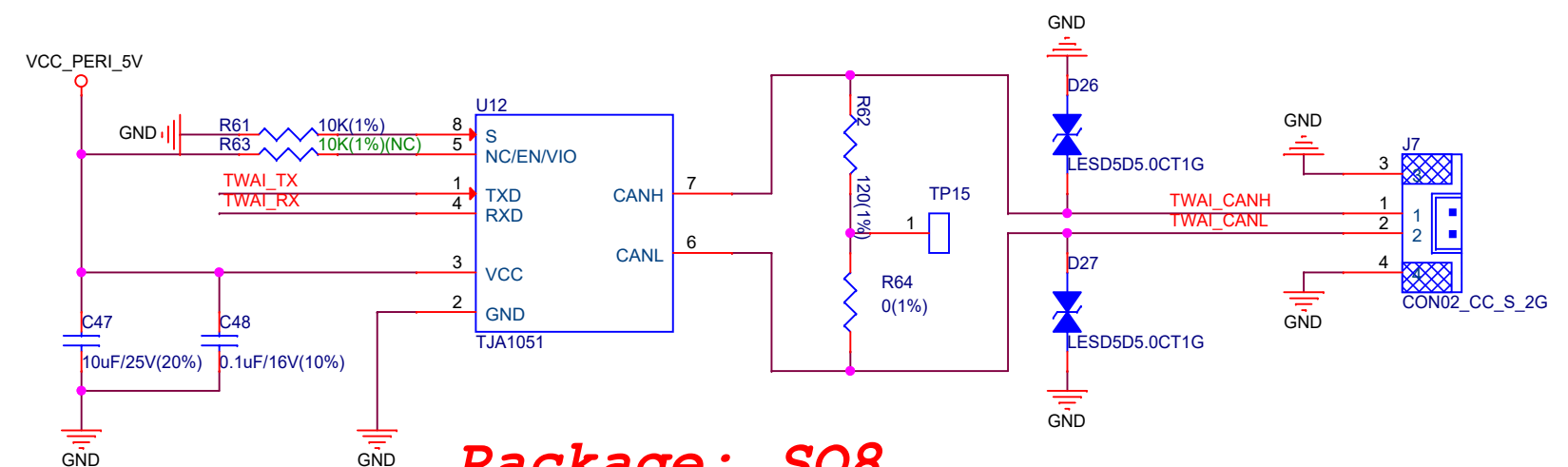
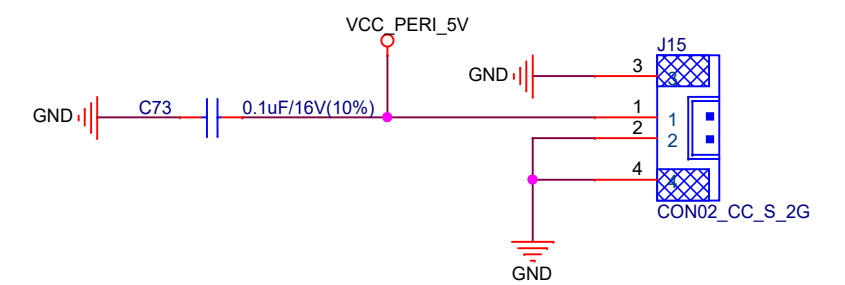
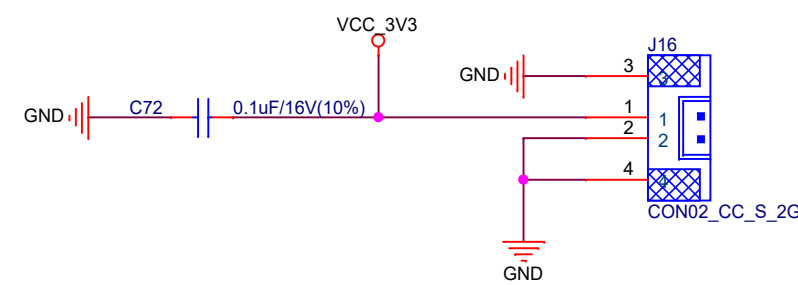
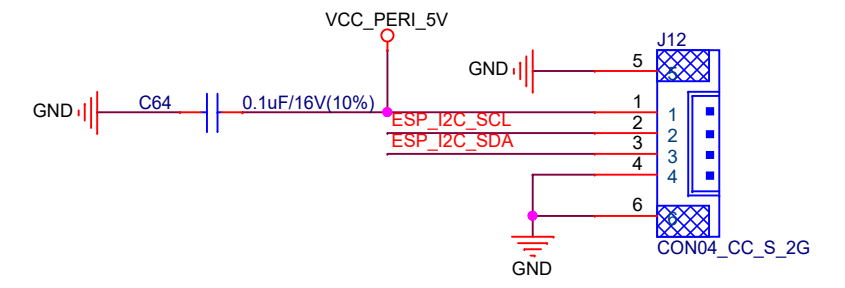
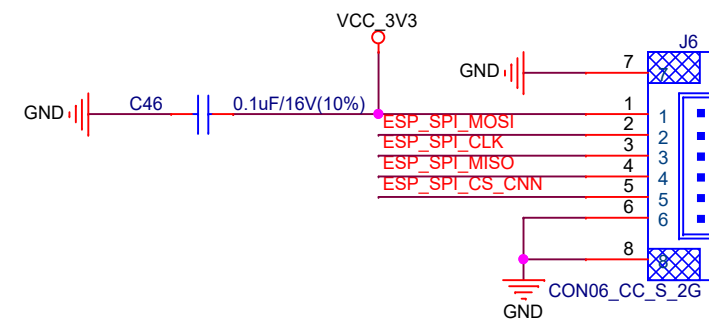
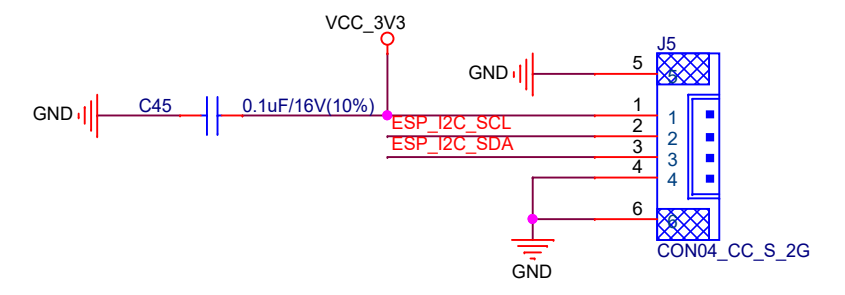
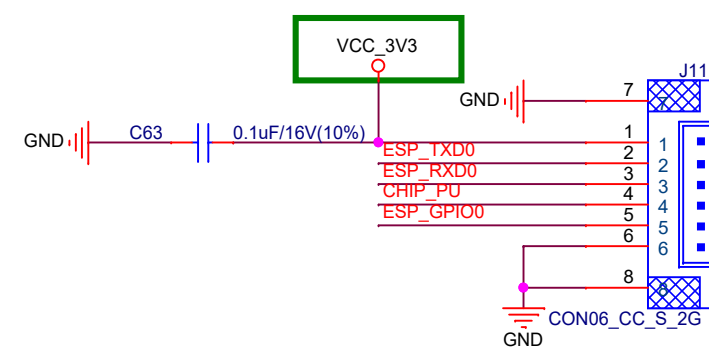
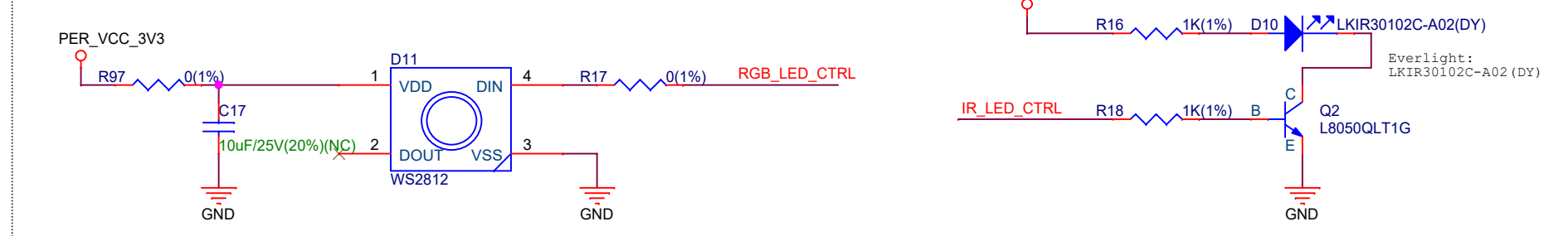
Temp. & Humidity:



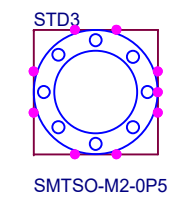
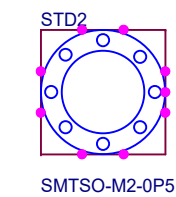
Speaker SolderPAD:

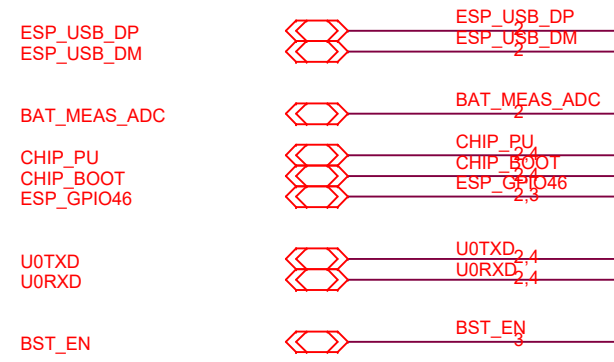


WS2812:

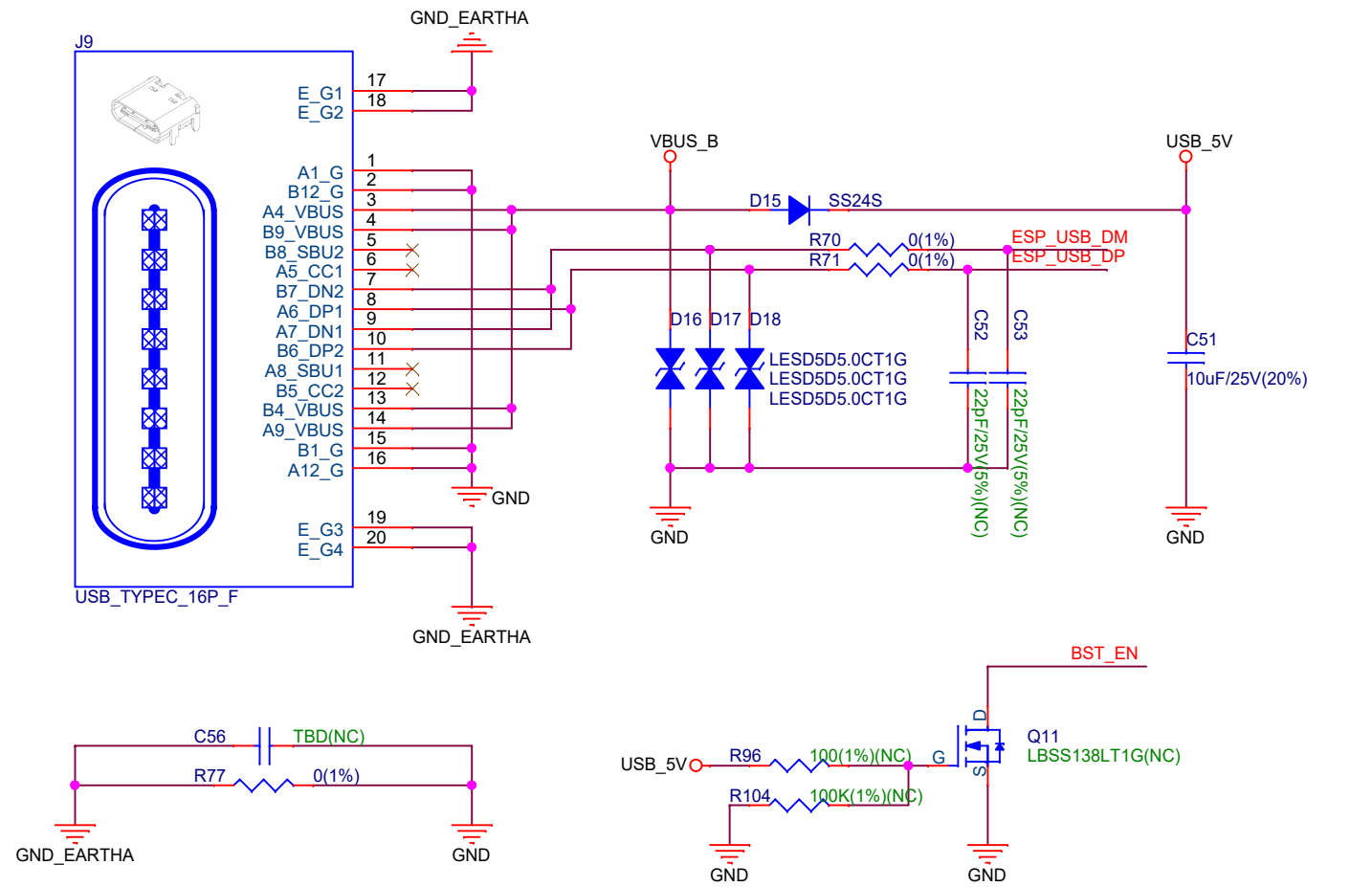


Package: S08

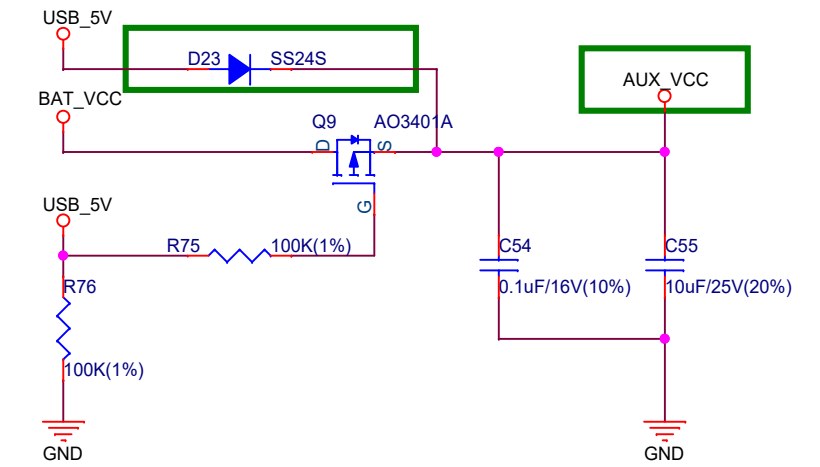
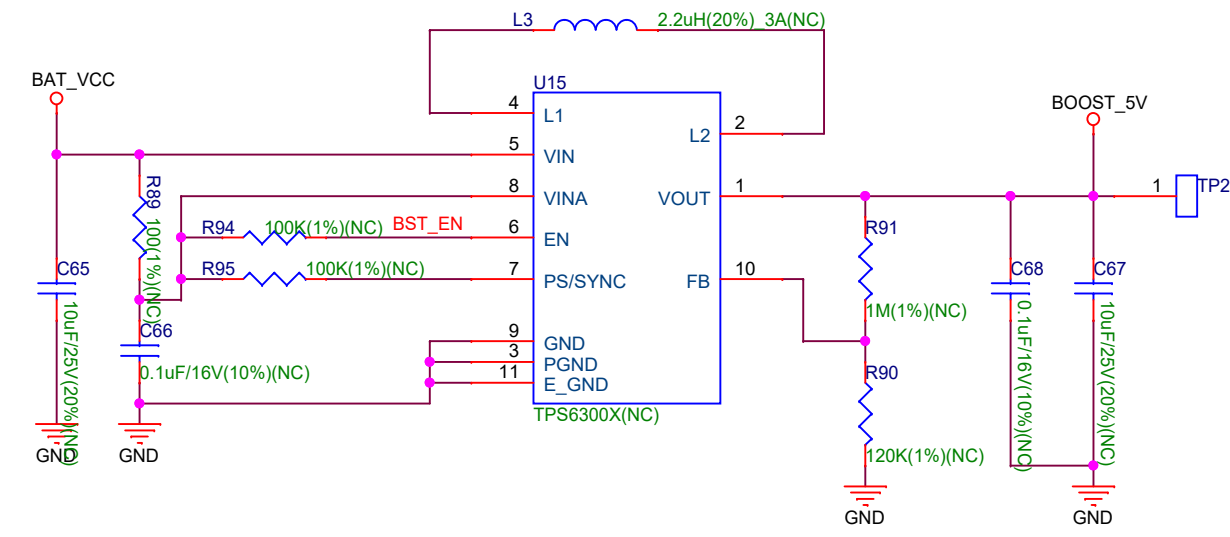
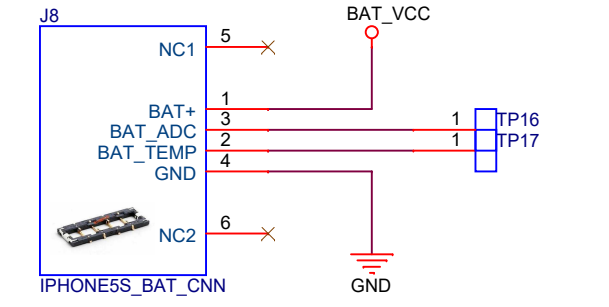
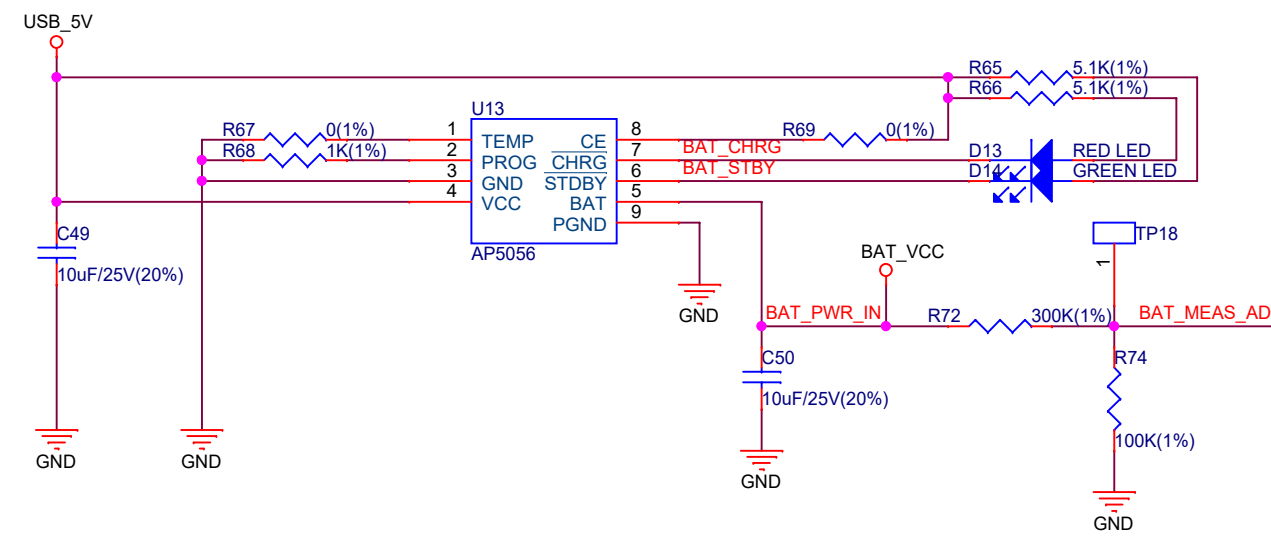




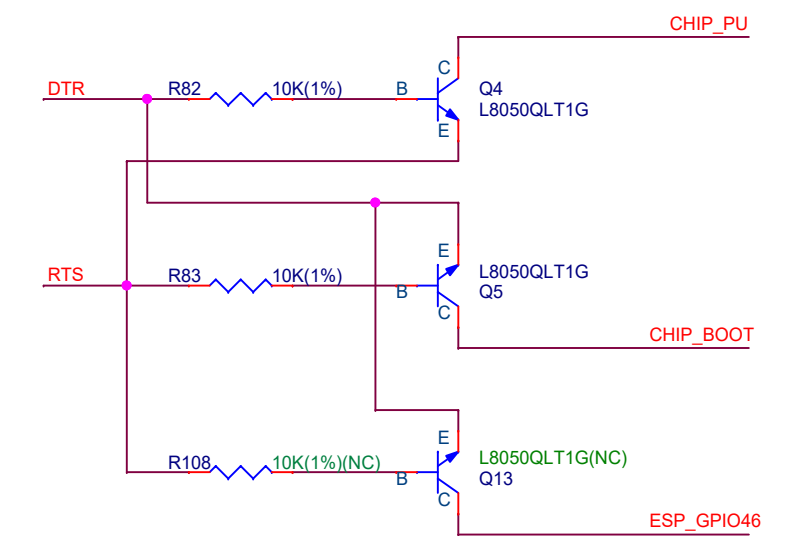
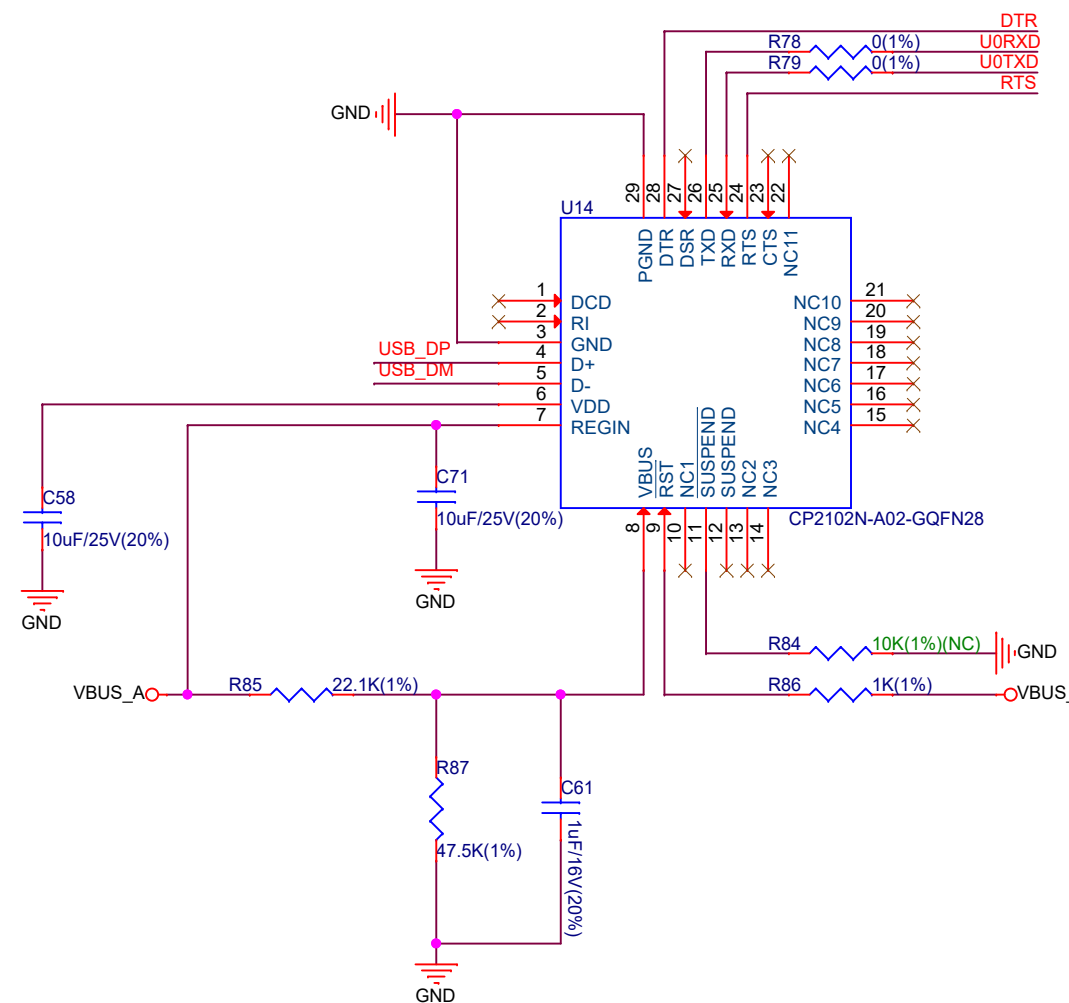
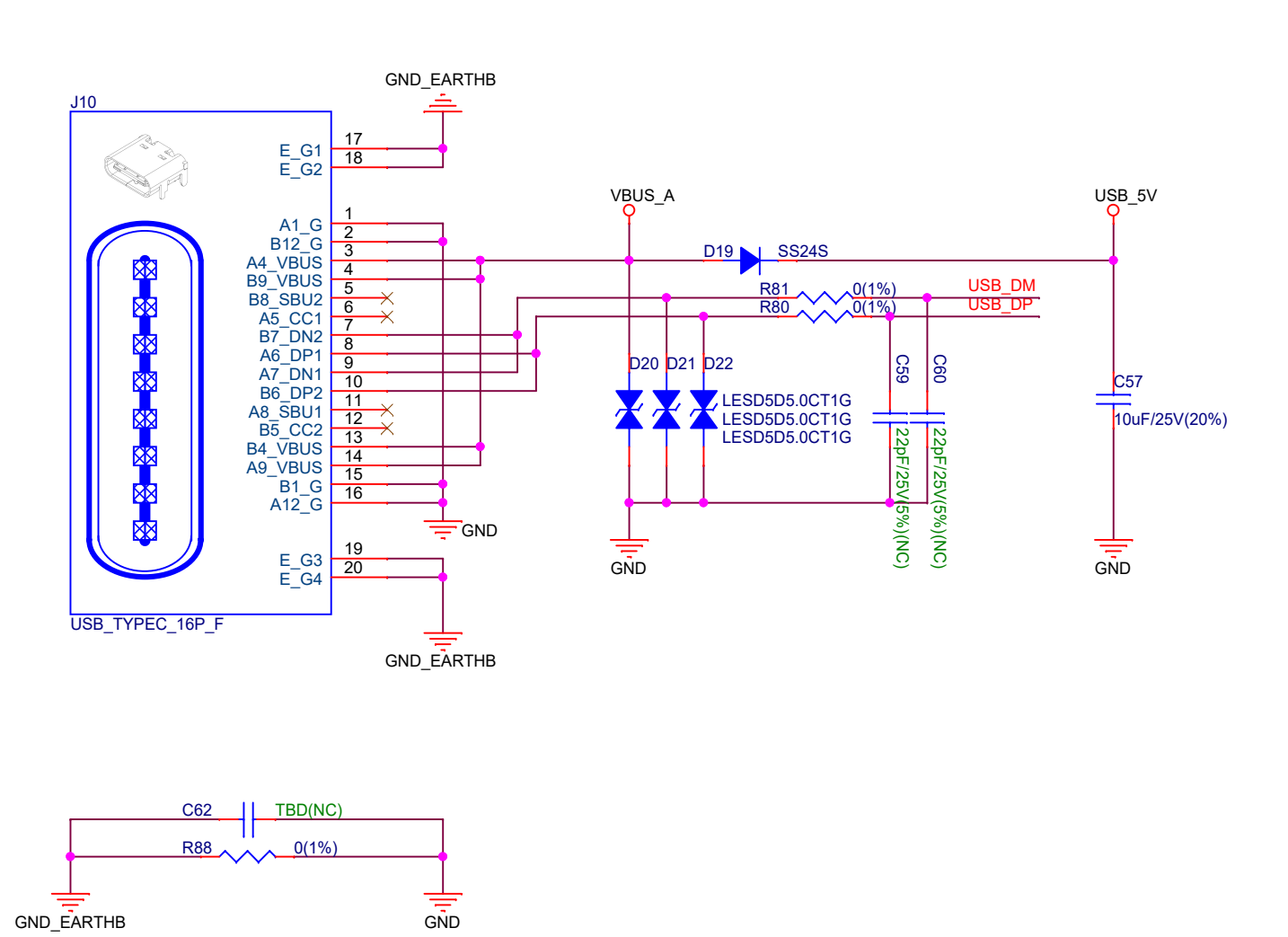
ESP_USB:



Power:



USB to UART:



Auto program

DTR	RTS	EN	Boot
1	1	1	1
0	0	1	1
1	0	0	1
0	1	1	0

ESPRESSIF

乐鑫信息科技(上海)股份有限公司

Title: ESP32-S2-HMI-DevKit-1

Size: Document Number
C: 05_Power

Date: Wednesday, May 26, 2021 Sheet 5 of 5 Rev 1.1