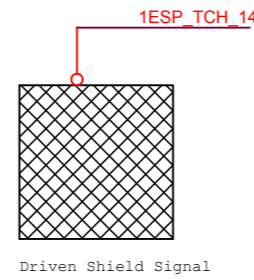
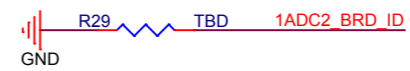
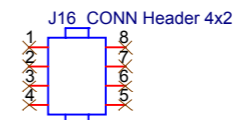
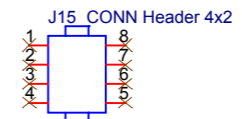
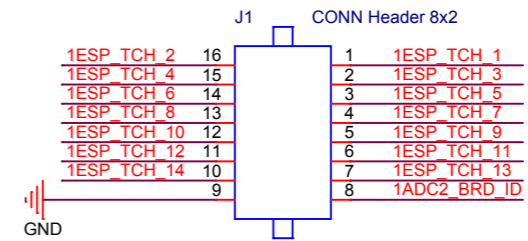
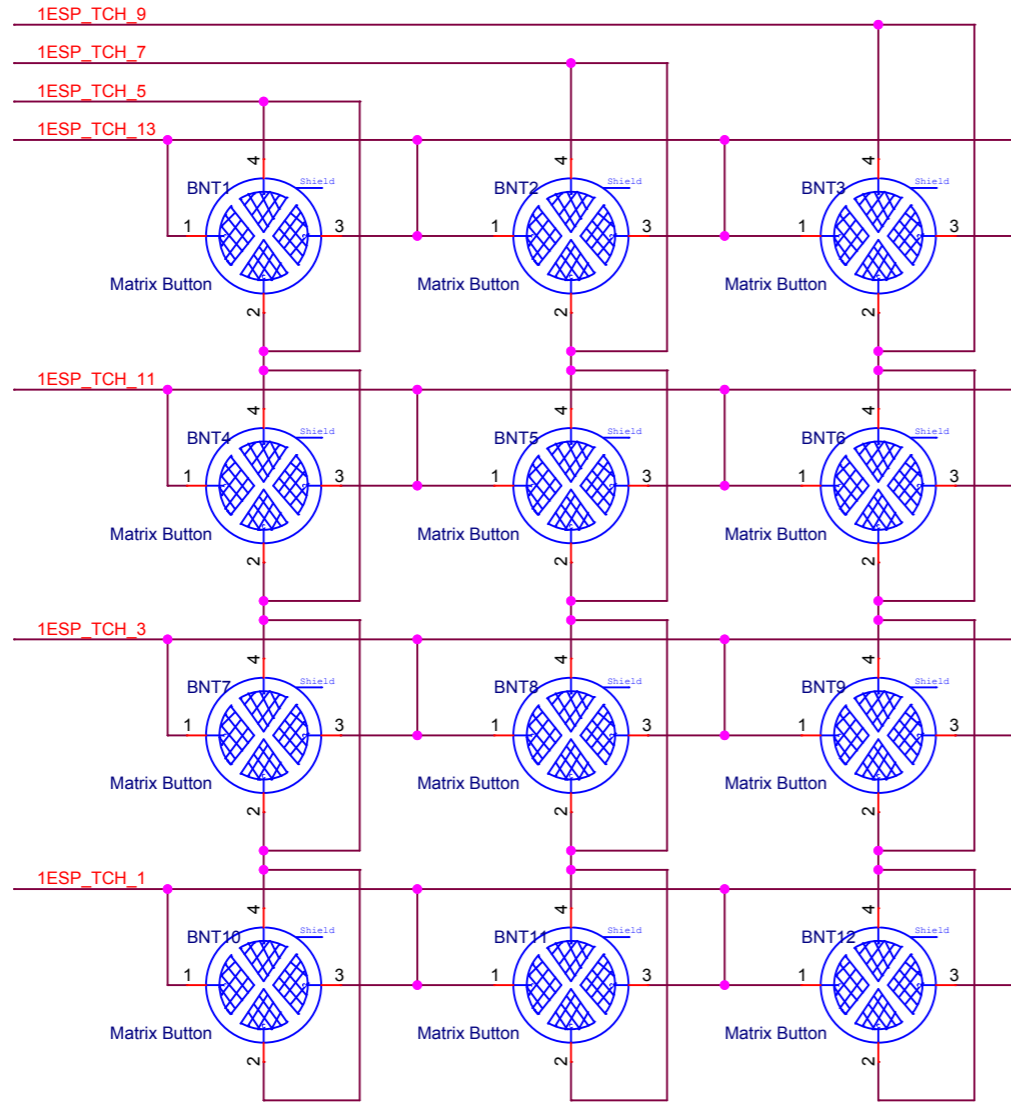


Matrix Button (3 x 4)



- 1 H9 Hole_M3
- 1 H10 Hole_M3
- 1 H11 Hole_M3
- 1 H12 Hole_M3