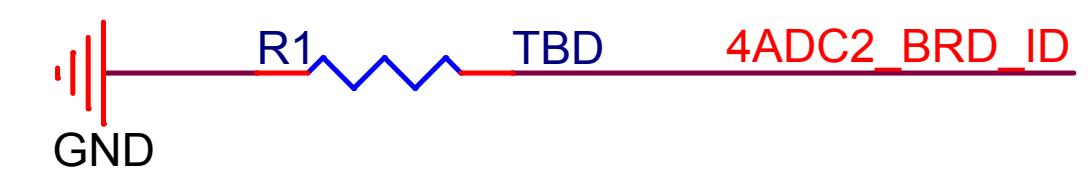
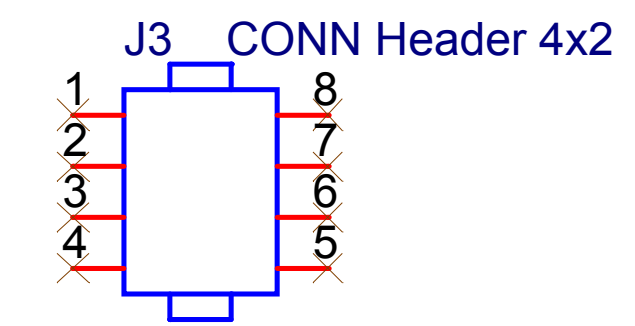
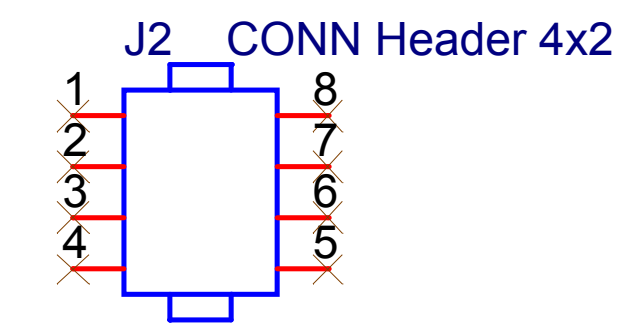
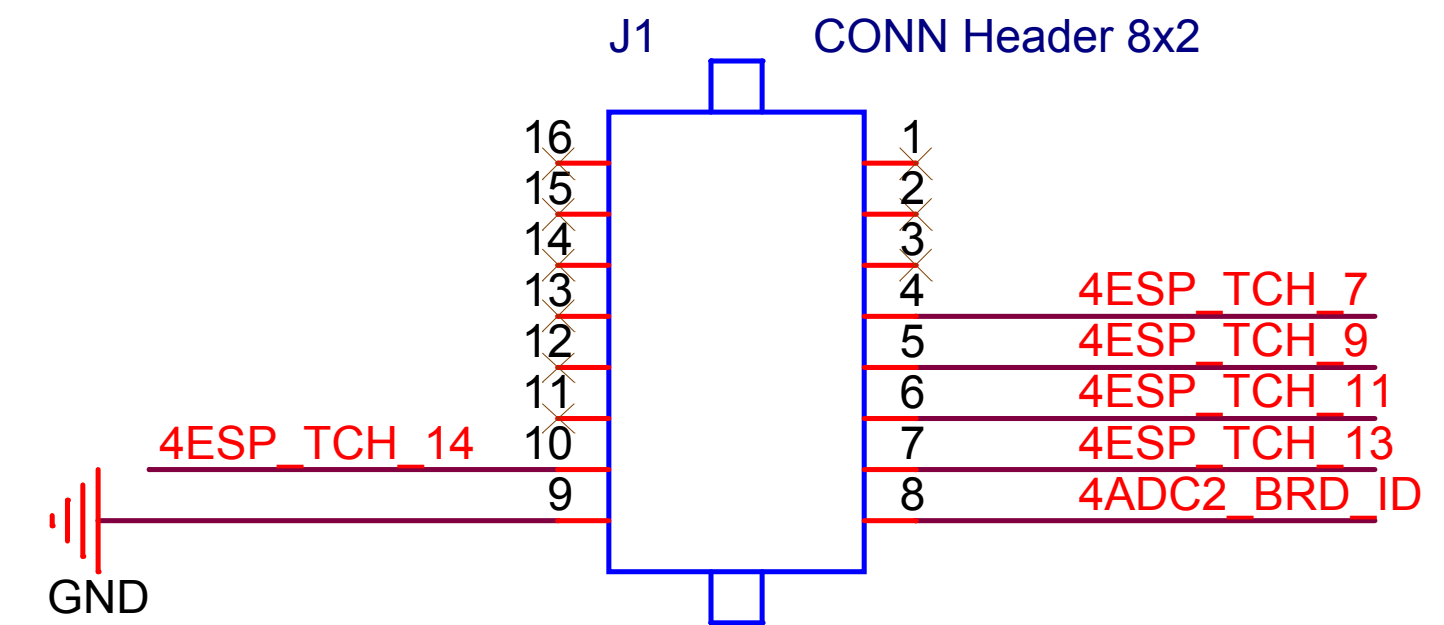
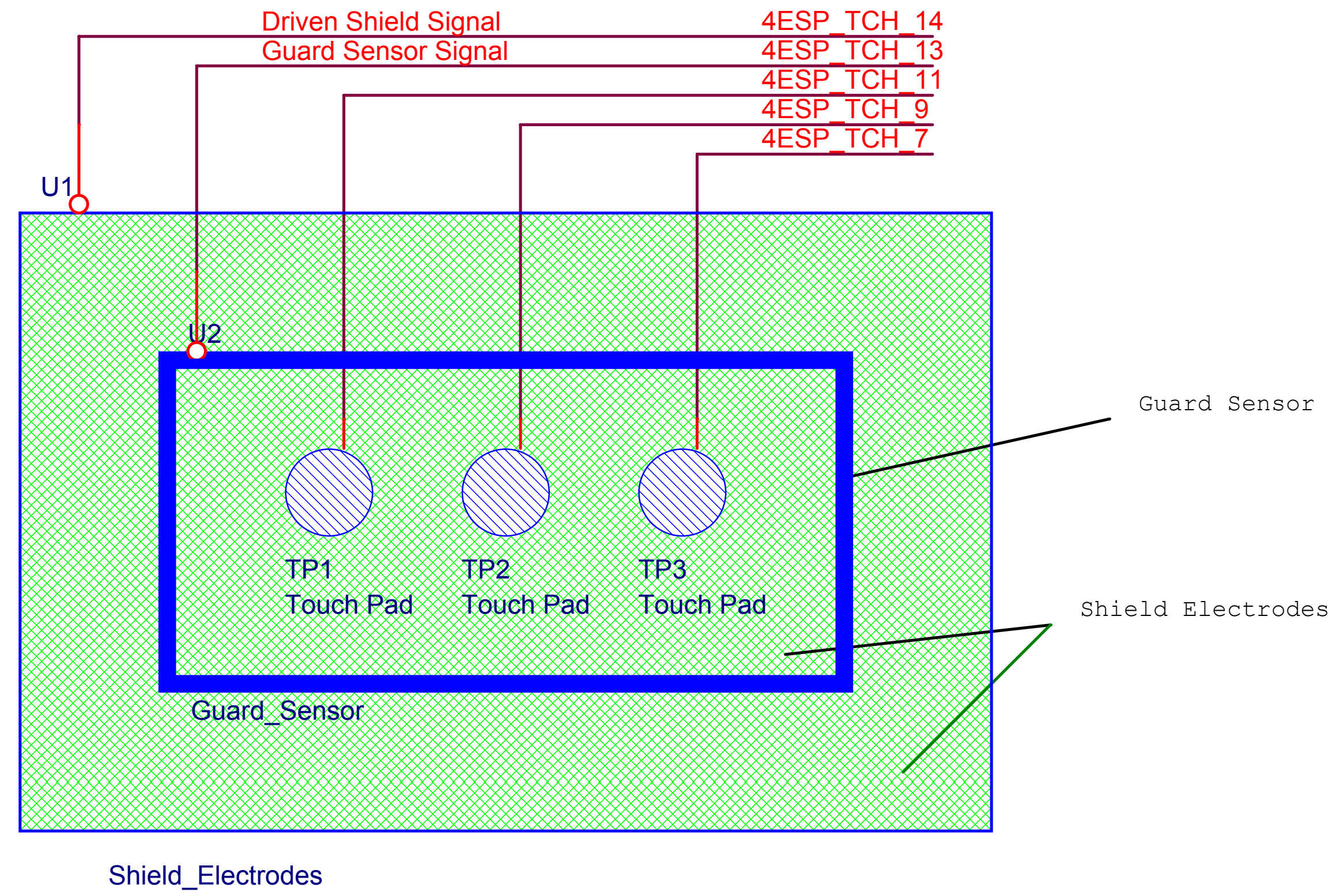


Waterproof



ESPRESSIF

乐鑫信息科技(上海)股份有限公司

Title
ESP-Touch-Kit-Waterproof

Size
A4

Document Number

Rev
V1.0

Date: Friday, April 02, 2021

Sheet 1 of 1