

# ESP32-S3

## esp-dev-kits Documentation



Release master  
Espressif Systems  
Dec 18, 2024

# Table of contents

<b>Table of contents</b>	<b>i</b>
<b>1 ESP32-S3-DevKitC-1</b>	<b>3</b>
1.1 ESP32-S3-DevKitC-1 v1.1	3
1.1.1 Getting Started	3
1.1.2 Hardware Reference	6
1.1.3 Hardware Revision Details	8
1.1.4 Related Documents	8
<b>2 ESP32-S3-DevKitM-1</b>	<b>15</b>
2.1 ESP32-S3-DevKitM-1	15
2.1.1 Getting Started	15
2.1.2 Hardware Reference	18
2.1.3 Hardware Revision Details	21
2.1.4 Related Documents	21
<b>3 ESP32-S3-USB-OTG</b>	<b>23</b>
3.1 ESP32-S3-USB-OTG	23
3.1.1 Getting Started	23
3.1.2 Hardware Reference	28
3.1.3 Related Documents	36
<b>4 ESP32-S3-LCD-EV-Board</b>	<b>37</b>
4.1 ESP32-S3-LCD-EV-Board v1.5	37
4.1.1 Board Overview	37
4.1.2 Start Application Development	43
4.1.3 Hardware Reference	47
4.1.4 Hardware Revision Details	52
4.1.5 Sample Request	52
4.1.6 Related Documents	53
4.2 ESP32-S3-LCD-EV-Board v1.4	53
4.2.1 Board Overview	53
4.2.2 Start Application Development	60
4.2.3 Hardware Reference	63
4.2.4 Hardware Revision Details	67
4.2.5 Sample Request	67
4.2.6 Related Documents	67
<b>5 ESP32-S3-USB-Bridge</b>	<b>71</b>
5.1 ESP32-S3-USB-Bridge	71
5.1.1 Board Overview	71
5.1.2 Start Application Development	75
5.1.3 Hardware Reference	76
5.1.4 Hardware Revision Details	76
5.1.5 Sample Request	78
5.1.6 Related Documents	78

<b>6</b>	<b>Related Documentation and Resources</b>	<b>79</b>
6.1	Related Documentation . . . . .	79
6.2	Developer Zone . . . . .	79
6.3	Products . . . . .	80
6.4	Contact Us . . . . .	80
<b>7</b>	<b>Disclaimer and Copyright Notice</b>	<b>81</b>

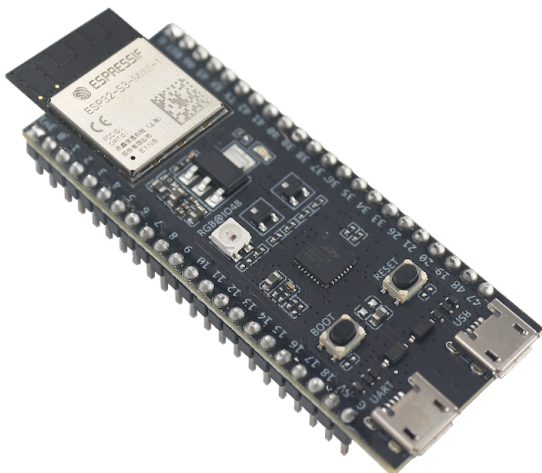
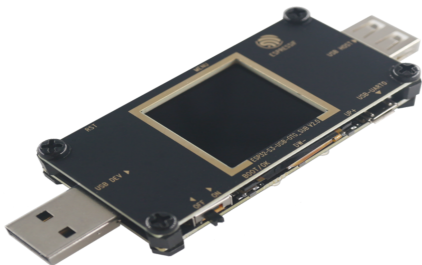

This document provides detailed user guides and examples for ESP32-S3 series development boards.

---

**Note:** For the full list of Espressif development boards, please go to [ESP DevKits](#).

---



ESP32-S3 Development Boards	
	
ESP32-S3-DevKitC-1	ESP32-S3-DevKitM-1
	
ESP32-S3-USB-OTG	ESP32-S3-LCD-EV-Board
	
ESP32-S3-USB-Bridge	

# Chapter 1

## ESP32-S3-DevKitC-1

The ESP32-S3-DevKitC-1 is an entry-level development board equipped with ESP32-S3-WROOM-1, ESP32-S3-WROOM-1U, or ESP32-S3-WROOM-2, a general-purpose Wi-Fi + Bluetooth® Low Energy MCU module that integrates complete Wi-Fi and Bluetooth Low Energy functions.

Most of the I/O pins on the module are broken out to the pin headers on both sides of this board for easy interfacing. Developers can either connect peripherals with jumper wires or mount ESP32-S3-DevKitC-1 on a breadboard.

### 1.1 ESP32-S3-DevKitC-1 v1.1

The older version: [ESP32-S3-DevKitC-1](#)

This user guide will help you get started with ESP32-S3-DevKitC-1 and will also provide more in-depth information.

The ESP32-S3-DevKitC-1 is an entry-level development board equipped with ESP32-S3-WROOM-1, ESP32-S3-WROOM-1U, or ESP32-S3-WROOM-2, a general-purpose Wi-Fi + Bluetooth® Low Energy MCU module that integrates complete Wi-Fi and Bluetooth Low Energy functions.

Most of the I/O pins on the module are broken out to the pin headers on both sides of this board for easy interfacing. Developers can either connect peripherals with jumper wires or mount ESP32-S3-DevKitC-1 on a breadboard.

Fig. 1: ESP32-S3-DevKitC-1 with ESP32-S3-WROOM-1 Module

The document consists of the following major sections:

- [Getting started](#): Overview of the board and hardware/software setup instructions to get started.
- [Hardware Reference](#): More detailed information about the board's hardware.
- [Hardware Revision Details](#): Revision history, known issues, and links to user guides for previous versions (if any) of the board.
- [Related Documents](#): Links to related documentation.

#### 1.1.1 Getting Started

This section provides a brief introduction of ESP32-S3-DevKitC-1, instructions on how to do the initial hardware setup and how to flash firmware onto it.

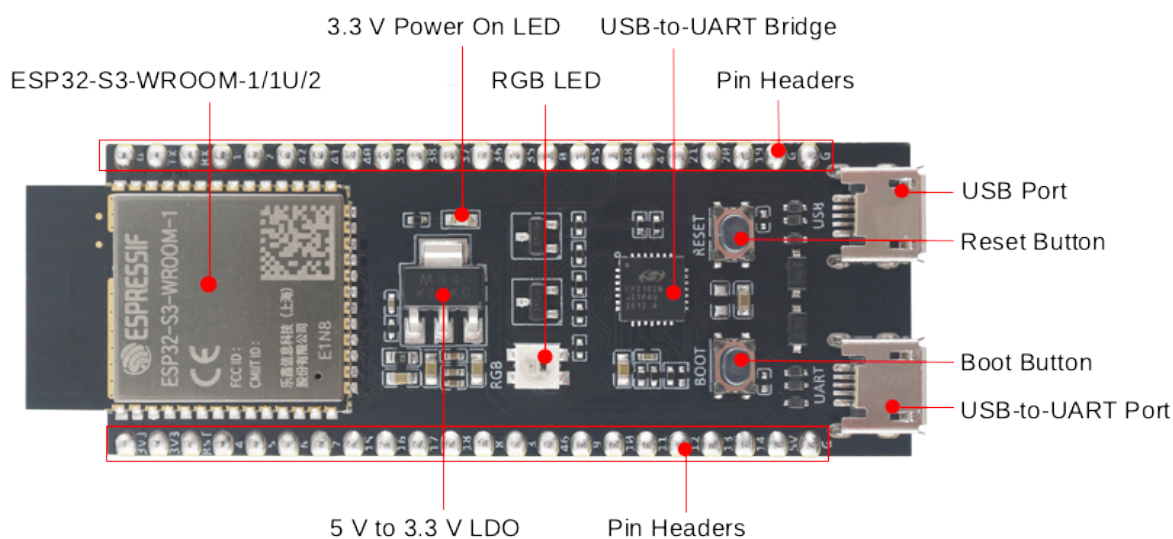


Fig. 2: ESP32-S3-DevKitC-1 - front

### Description of Components

The key components of the board are described in a counter-clockwise direction.

Key Component	Description
ESP32-S3-WROOM-1/1U/2	ESP32-S3-WROOM-1, ESP32-S3-WROOM-1U, and ESP32-S3-WROOM-2 are powerful, generic Wi-Fi + Bluetooth Low Energy MCU modules that have a rich set of peripherals. They provide acceleration for neural network computing and signal processing workloads. ESP32-S3-WROOM-1 and ESP32-S3-WROOM-2 comes with a PCB antenna. ESP32-S3-WROOM-1U comes with an external antenna connector.
5 V to 3.3 V LDO	Power regulator that converts a 5 V supply into a 3.3 V output.
Pin Headers	All available GPIO pins (except for the SPI bus for flash) are broken out to the pin headers on the board for easy interfacing and programming. For details, please see <a href="#">Header Block</a> .
USB-to-UART Port	A Micro-USB port used for power supply to the board, for flashing applications to the chip, as well as for communication with the chip via the on-board USB-to-UART bridge.
Boot Button	Download button. Holding down <b>Boot</b> and then pressing <b>Reset</b> initiates Firmware Download mode for downloading firmware through the serial port.
Reset Button	Press this button to restart the system.
USB Port	ESP32-S3 full-speed USB OTG interface, compliant with the USB 1.1 specification. The interface is used for power supply to the board, for flashing applications to the chip, for communication with the chip using USB 1.1 protocols, as well as for JTAG debugging.
USB-to-UART Bridge	Single USB-to-UART bridge chip provides transfer rates up to 3 Mbps.
RGB LED	Addressable RGB LED, driven by GPIO38.
3.3 V Power On LED	Turns on when the USB power is connected to the board.

**Note:** For boards with Octal SPI flash/PSRAM memory embedded ESP32-S3-WROOM-1/1U modules, and boards with ESP32-S3-WROOM-2 modules, the pins GPIO35, GPIO36 and GPIO37 are used for the internal communi-

cation between ESP32-S3 and SPI flash/PSRAM memory, thus not available for external use.

## Start Application Development

Before powering up your board, please make sure that it is in good condition with no obvious signs of damage.

## Required Hardware

- ESP32-S3-DevKitC-1
- USB 2.0 cable (Standard-A to Micro-B)
- Computer running Windows, Linux, or macOS

**Note:** Be sure to use an appropriate USB cable. Some cables are for charging only and do not provide the needed data lines nor work for programming the boards.

**Hardware Setup** Connect the board with the computer using **USB-to-UART Port** or **ESP32-S3 USB Port**. In subsequent steps, **USB-to-UART Port** will be used by default.

**Software Setup** Please proceed to [Get Started](#), where Section [Installation](#) will quickly help you set up the development environment and then flash an application example onto your board.

## Contents and Packaging

**Ordering Information** The development board has a variety of variants to choose from, as shown in the table below.

Ordering Code	Module Integrated	Flash	PSRAM	SPI	Voltage
ESP32-S3-DevKitC-1-N8	ESP32-S3-WROOM-1-N8	8 MB QD	—	3.3 V	3.3 V
ESP32-S3-DevKitC-1-N8R2	ESP32-S3-WROOM-1-N8R2	8 MB QD	2 MB QD	3.3 V	3.3 V
ESP32-S3-DevKitC-1-N8R8	ESP32-S3-WROOM-1-N8R8	8 MB QD	8 MB OT	3.3 V	3.3 V
ESP32-S3-DevKitC-1-N16R8V	ESP32-S3-WROOM-2-N16R8V	16 MB OT	8 MB OT	1.8 V	1.8 V
ESP32-S3-DevKitC-1-N32R8V	ESP32-S3-WROOM-2-N32R8V	32 MB OT	8 MB OT	1.8 V	1.8 V
ESP32-S3-DevKitC-1U-N8	ESP32-S3-WROOM-1U-N8	8 MB QD	—	3.3 V	3.3 V
ESP32-S3-DevKitC-1U-N8R2	ESP32-S3-WROOM-1U-N8R2	8 MB QD	2 MB QD	3.3 V	3.3 V
ESP32-S3-DevKitC-1U-N8R8	ESP32-S3-WROOM-1U-N8R8	8 MB QD	8 MB OT	3.3 V	3.3 V

**Note:** In the table above, QD stands for Quad SPI and OT stands for Octal SPI.

**Retail Orders** If you order a few samples, each board comes in an individual package in either antistatic bag or any packaging depending on your retailer.

For retail orders, please go to <https://www.espressif.com/en/contact-us/get-samples>.

**Wholesale Orders** If you order in bulk, the boards come in large cardboard boxes.

For wholesale orders, please go to <https://www.espressif.com/en/contact-us/sales-questions>.

## 1.1.2 Hardware Reference

### Block Diagram

The block diagram below shows the components of ESP32-S3-DevKitC-1 and their interconnections.

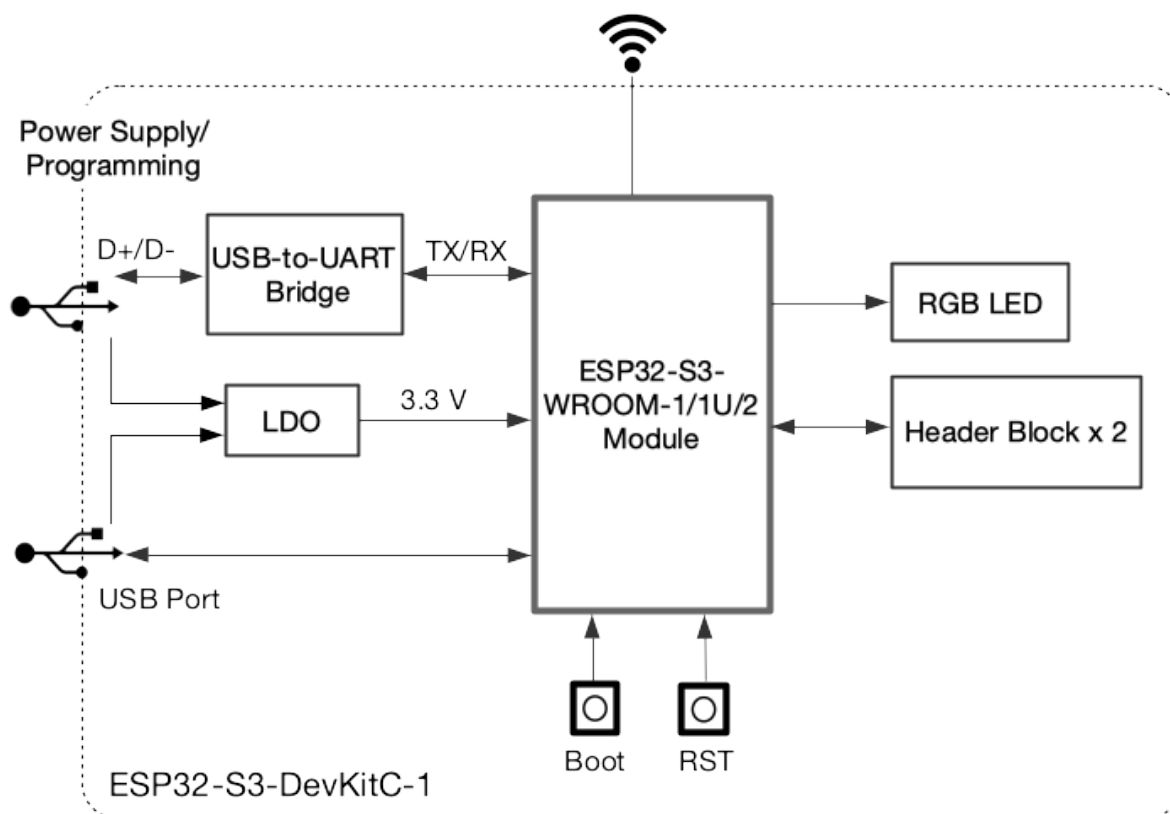


Fig. 3: ESP32-S3-DevKitC-1 (click to enlarge)

**Power Supply Options** There are three mutually exclusive ways to provide power to the board:

- USB-to-UART Port and ESP32-S3 USB Port (either one or both), default power supply (recommended)
- 5V and G (GND) pins
- 3V3 and G (GND) pins

### Header Block

The two tables below provide the **Name** and **Function** of the pins on both sides of the board (J1 and J3). The pin names are shown in *ESP32-S3-DevKitC-1 - front*. The numbering is the same as in the *Board Schematic* (PDF).

## J1

No.	Name	Type <sup>Page 7, 1</sup>	Function
1	3V3	P	3.3 V power supply
2	3V3	P	3.3 V power supply
3	RST	I	EN
4	4	I/O/T	RTC_GPIO4, GPIO4, TOUCH4, ADC1_CH3
5	5	I/O/T	RTC_GPIO5, GPIO5, TOUCH5, ADC1_CH4
6	6	I/O/T	RTC_GPIO6, GPIO6, TOUCH6, ADC1_CH5
7	7	I/O/T	RTC_GPIO7, GPIO7, TOUCH7, ADC1_CH6
8	15	I/O/T	RTC_GPIO15, GPIO15, U0RTS, ADC2_CH4, XTAL_32K_P
9	16	I/O/T	RTC_GPIO16, GPIO16, U0CTS, ADC2_CH5, XTAL_32K_N
10	17	I/O/T	RTC_GPIO17, GPIO17, U1TXD, ADC2_CH6
11	18	I/O/T	RTC_GPIO18, GPIO18, U1RXD, ADC2_CH7, CLK_OUT3
12	8	I/O/T	RTC_GPIO8, GPIO8, TOUCH8, ADC1_CH7, SUBSPICS1
13	3	I/O/T	RTC_GPIO3, GPIO3, TOUCH3, ADC1_CH2
14	46	I/O/T	GPIO46
15	9	I/O/T	RTC_GPIO9, GPIO9, TOUCH9, ADC1_CH8, FSPIHD, SUBSPIHD
16	10	I/O/T	RTC_GPIO10, GPIO10, TOUCH10, ADC1_CH9, FSPICS0, FSPIIO4, SUBSPICS0
17	11	I/O/T	RTC_GPIO11, GPIO11, TOUCH11, ADC2_CH0, FSPID, FSPIIO5, SUBSPID
18	12	I/O/T	RTC_GPIO12, GPIO12, TOUCH12, ADC2_CH1, FSPICLK, FSPIIO6, SUBSPICLK
19	13	I/O/T	RTC_GPIO13, GPIO13, TOUCH13, ADC2_CH2, FSPIQ, FSPIIO7, SUBSPIQ
20	14	I/O/T	RTC_GPIO14, GPIO14, TOUCH14, ADC2_CH3, FSPIWP, FSPIDQS, SUBSPIWP
21	5V	P	5 V power supply
22	G	G	Ground

## J3

No.	Name	Type	Function
1	G	G	Ground
2	TX	I/O/T	U0TXD, GPIO43, CLK_OUT1
3	RX	I/O/T	U0RXD, GPIO44, CLK_OUT2
4	1	I/O/T	RTC_GPIO1, GPIO1, TOUCH1, ADC1_CH0
5	2	I/O/T	RTC_GPIO2, GPIO2, TOUCH2, ADC1_CH1
6	42	I/O/T	MTMS, GPIO42
7	41	I/O/T	MTDI, GPIO41, CLK_OUT1
8	40	I/O/T	MTDO, GPIO40, CLK_OUT2
9	39	I/O/T	MTCK, GPIO39, CLK_OUT3, SUBSPICS1
10	38	I/O/T	GPIO38, FSPIWP, SUBSPIWP, RGB LED
11	37	I/O/T	SPIDQS, GPIO37, FSPIQ, SUBSPIQ
12	36	I/O/T	SPIIO7, GPIO36, FSPICLK, SUBSPICLK
13	35	I/O/T	SPIIO6, GPIO35, FSPID, SUBSPID
14	0	I/O/T	RTC_GPIO0, GPIO0
15	45	I/O/T	GPIO45
16	48	I/O/T	GPIO48, SPICLK_N, SUBSPICLK_N_DIFF
17	47	I/O/T	GPIO47, SPICLK_P, SUBSPICLK_P_DIFF
18	21	I/O/T	RTC_GPIO21, GPIO21
19	20	I/O/T	RTC_GPIO20, GPIO20, U1CTS, ADC2_CH9, CLK_OUT1, USB_D+
20	19	I/O/T	RTC_GPIO19, GPIO19, U1RTS, ADC2_CH8, CLK_OUT2, USB_D-
21	G	G	Ground
22	G	G	Ground

<sup>1</sup> P: Power supply; I: Input; O: Output; T: High impedance.

For description of function names, please refer to [ESP32-S3 Series Datasheet \(PDF\)](#).

## ESP32-S3-DevKitC-1

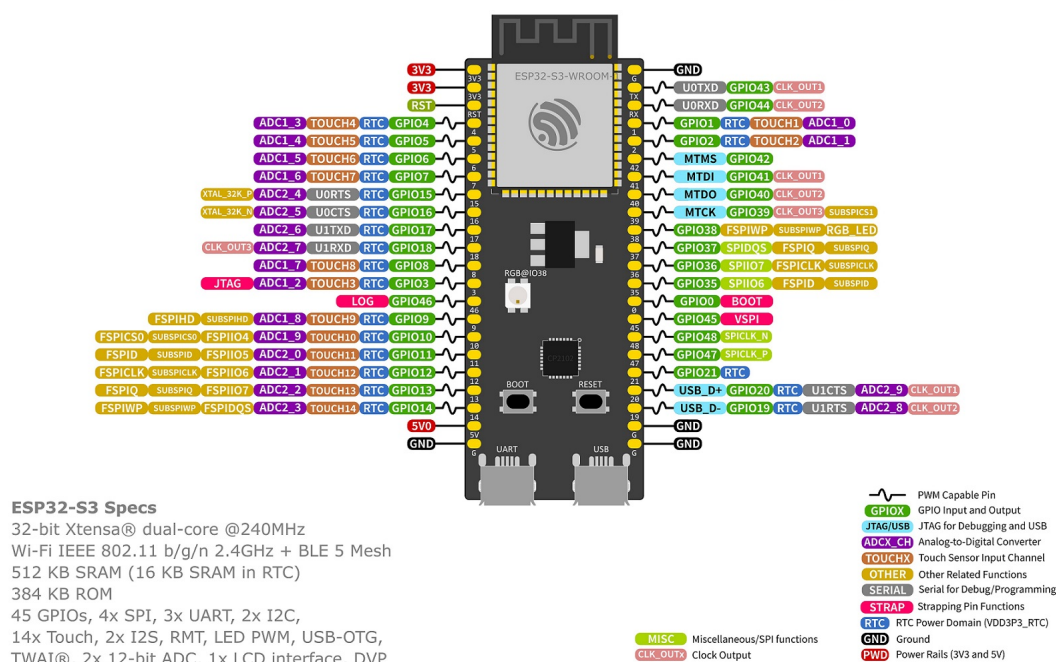


Fig. 4: ESP32-S3-DevKitC-1 Pin Layout (click to enlarge)

### Pin Layout

#### 1.1.3 Hardware Revision Details

##### Initial release

**Note:** Both the initial and v1.1 versions of ESP32-S3-DevKitC-1 are available on the market. The main difference lies in the GPIO assignment for the RGB LED: the initial version uses GPIO48, whereas v1.1 uses GPIO38.

#### 1.1.4 Related Documents

- [ESP32-S3 Datasheet \(PDF\)](#)
- [ESP32-S3-WROOM-1 & ESP32-S3-WROOM-1U Datasheet \(PDF\)](#)
- [ESP32-S3-WROOM-2 Datasheet \(PDF\)](#)
- [ESP32-S3-DevKitC-1 Schematic \(PDF\)](#)
- [ESP32-S3-DevKitC-1 PCB layout \(PDF\)](#)
- [ESP32-S3-DevKitC-1 Dimensions \(PDF\)](#)
- [ESP32-S3-DevKitC-1 Dimensions source file \(DXF\)](#) - You can view it with [Autodesk Viewer](#) online

For further design documentation for the board, please contact us at [sales@espressif.com](mailto:sales@espressif.com).

### ESP32-S3-DevKitC-1

The latest version: [ESP32-S3-DevKitC-1 v1.1](#)



This user guide will help you get started with ESP32-S3-DevKitC-1 and will also provide more in-depth information.

The ESP32-S3-DevKitC-1 is an entry-level development board equipped with ESP32-S3-WROOM-1, ESP32-S3-WROOM-1U, or ESP32-S3-WROOM-2, a general-purpose Wi-Fi + Bluetooth® Low Energy MCU module that integrates complete Wi-Fi and Bluetooth Low Energy functions.

Most of the I/O pins on the module are broken out to the pin headers on both sides of this board for easy interfacing. Developers can either connect peripherals with jumper wires or mount ESP32-S3-DevKitC-1 on a breadboard.

Fig. 5: ESP32-S3-DevKitC-1 with ESP32-S3-WROOM-1 Module

The document consists of the following major sections:

- *Getting started*: Overview of the board and hardware/software setup instructions to get started.
- *Hardware Reference*: More detailed information about the board's hardware.
- *Hardware Revision Details*: Revision history, known issues, and links to user guides for previous versions (if any) of the board.
- *Related Documents*: Links to related documentation.

**Getting Started** This section provides a brief introduction of ESP32-S3-DevKitC-1, instructions on how to do the initial hardware setup and how to flash firmware onto it.

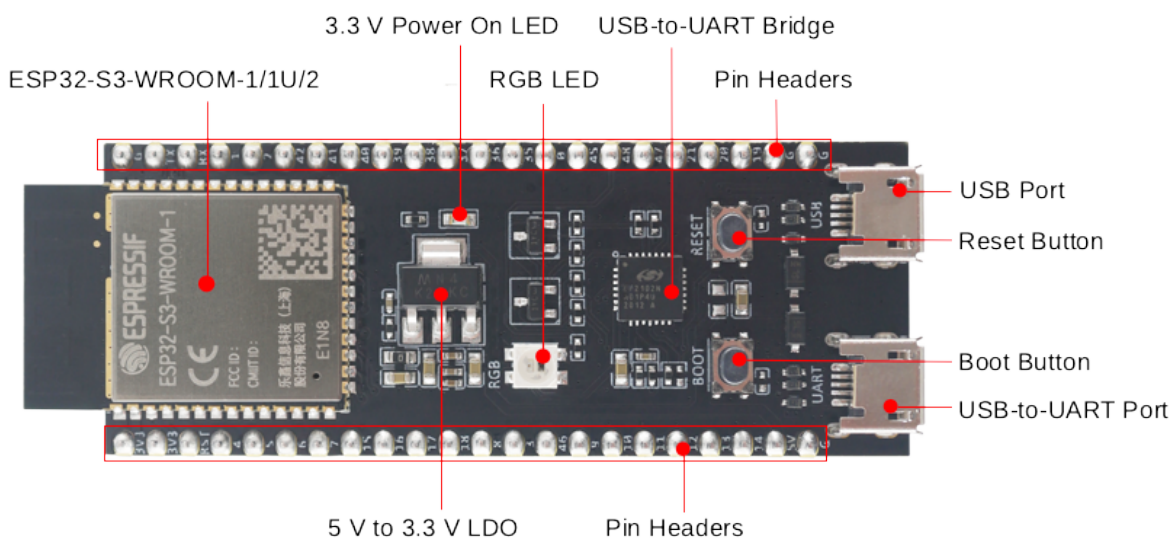


Fig. 6: ESP32-S3-DevKitC-1 - front

**Description of Components** The key components of the board are described in a counter-clockwise direction.



Key Component	Description
ESP32-S3-WROOM-1/1U/2	ESP32-S3-WROOM-1, ESP32-S3-WROOM-1U, and ESP32-S3-WROOM-2 are powerful, generic Wi-Fi + Bluetooth Low Energy MCU modules that have a rich set of peripherals. They provide acceleration for neural network computing and signal processing workloads. ESP32-S3-WROOM-1 and ESP32-S3-WROOM-2 comes with a PCB antenna. ESP32-S3-WROOM-1U comes with an external antenna connector.
5 V to 3.3 V LDO	Power regulator that converts a 5 V supply into a 3.3 V output.
Pin Headers	All available GPIO pins (except for the SPI bus for flash) are broken out to the pin headers on the board for easy interfacing and programming. For details, please see <a href="#">Header Block</a> .
USB-to-UART Port	A Micro-USB port used for power supply to the board, for flashing applications to the chip, as well as for communication with the chip via the on-board USB-to-UART bridge.
Boot Button	Download button. Holding down <b>Boot</b> and then pressing <b>Reset</b> initiates Firmware Download mode for downloading firmware through the serial port.
Reset Button	Press this button to restart the system.
ESP32-S3 USB Port	ESP32-S3 full-speed USB OTG interface, compliant with the USB 1.1 specification. The interface is used for power supply to the board, for flashing applications to the chip, for communication with the chip using USB 1.1 protocols, as well as for JTAG debugging.
USB-to-UART Bridge	Single USB-to-UART bridge chip provides transfer rates up to 3 Mbps.
RGB LED	Addressable RGB LED, driven by GPIO48.
3.3 V Power On LED	Turns on when the USB power is connected to the board.

---

**Note:** For boards with Octal SPI flash/PSRAM memory embedded ESP32-S3-WROOM-1/1U modules, and boards with ESP32-S3-WROOM-2 modules, the pins GPIO35, GPIO36 and GPIO37 are used for the internal communication between ESP32-S3 and SPI flash/PSRAM memory, thus not available for external use.

---

**Start Application Development** Before powering up your board, please make sure that it is in good condition with no obvious signs of damage.

### Required Hardware

- ESP32-S3-DevKitC-1
- USB 2.0 cable (Standard-A to Micro-B)
- Computer running Windows, Linux, or macOS

---

**Note:** Be sure to use an appropriate USB cable. Some cables are for charging only and do not provide the needed data lines nor work for programming the boards.

---

**Hardware Setup** Connect the board with the computer using **USB-to-UART Port**. Connection using **ESP32-S3 USB Port** is not fully implemented in software. In subsequent steps, **USB-to-UART Port** will be used by default.

**Software Setup** Please proceed to [Get Started](#), where Section [Installation](#) will quickly help you set up the development environment and then flash an application example onto your board.

### Contents and Packaging

**Ordering Information** The development board has a variety of variants to choose from, as shown in the table below.

Ordering Code	Module Integrated	Flash	PSRAM	SPI Voltage
ESP32-S3-DevKitC-1-N8	ESP32-S3-WROOM-1-N8	8 MB QD	—	3.3 V
ESP32-S3-DevKitC-1-N8R2	ESP32-S3-WROOM-1-N8R2	8 MB QD	2 MB QD	3.3 V
ESP32-S3-DevKitC-1-N8R8	ESP32-S3-WROOM-1-N8R8	8 MB QD	8 MB OT	3.3 V
ESP32-S3-DevKitC-1-N16R8V	ESP32-S3-WROOM-2-N16R8V	16 MB OT	8 MB OT	1.8 V
ESP32-S3-DevKitC-1-N32R8V	ESP32-S3-WROOM-2-N32R8V	32 MB OT	8 MB OT	1.8 V
ESP32-S3-DevKitC-1U-N8	ESP32-S3-WROOM-1U-N8	8 MB QD	—	3.3 V
ESP32-S3-DevKitC-1U-N8R2	ESP32-S3-WROOM-1U-N8R2	8 MB QD	2 MB QD	3.3 V
ESP32-S3-DevKitC-1U-N8R8	ESP32-S3-WROOM-1U-N8R8	8 MB QD	8 MB OT	3.3 V

**Note:** In the table above, QD stands for Quad SPI and OT stands for Octal SPI.

**Retail Orders** If you order a few samples, each board comes in an individual package in either antistatic bag or any packaging depending on your retailer.

For retail orders, please go to <https://www.espressif.com/en/company/contact/buy-a-sample>.

**Wholesale Orders** If you order in bulk, the boards come in large cardboard boxes.

For wholesale orders, please go to <https://www.espressif.com/en/contact-us/sales-questions>.

## Hardware Reference

**Block Diagram** The block diagram below shows the components of ESP32-S3-DevKitC-1 and their interconnections.

**Power Supply Options** There are three mutually exclusive ways to provide power to the board:

- USB-to-UART Port and ESP32-S3 USB Port (either one or both), default power supply (recommended)
- 5V and G (GND) pins
- 3V3 and G (GND) pins

**Header Block** The two tables below provide the **Name** and **Function** of the pins on both sides of the board (J1 and J3). The pin names are shown in *ESP32-S3-DevKitC-1 - front*. The numbering is the same as in the [Board Schematic \(PDF\)](#).

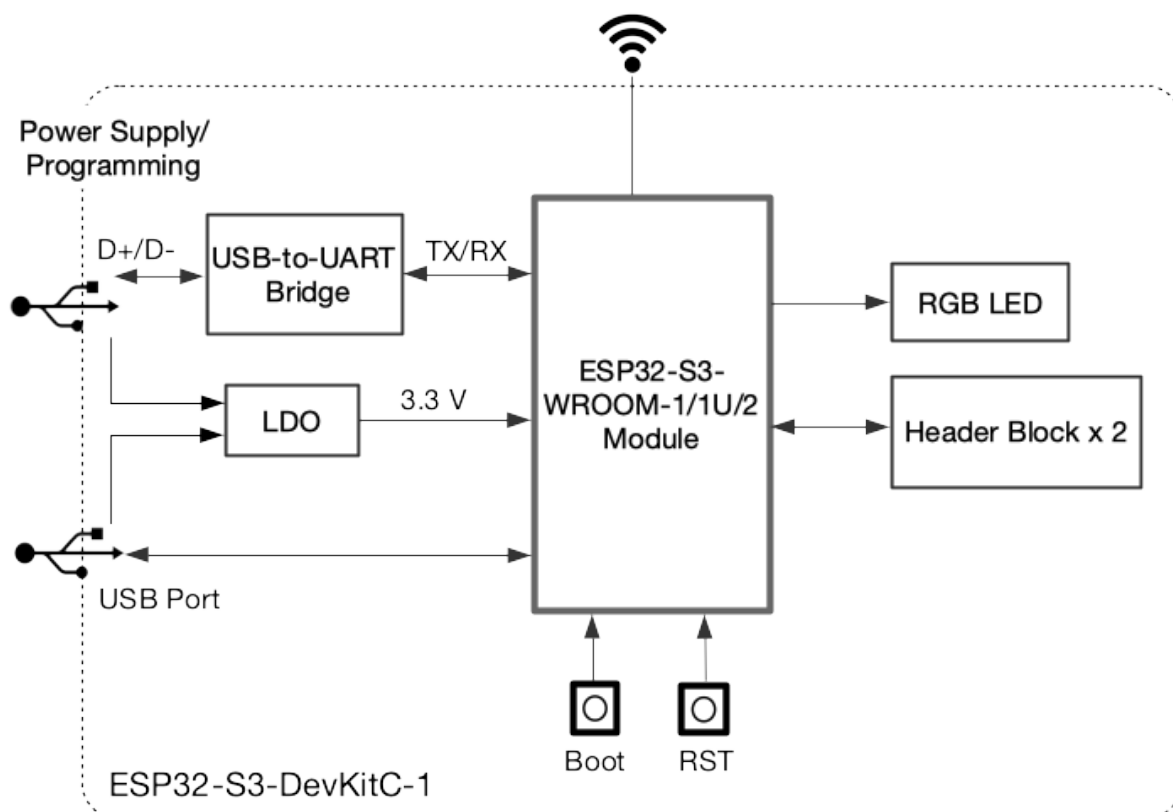


Fig. 7: ESP32-S3-DevKitC-1 (click to enlarge)

## J1

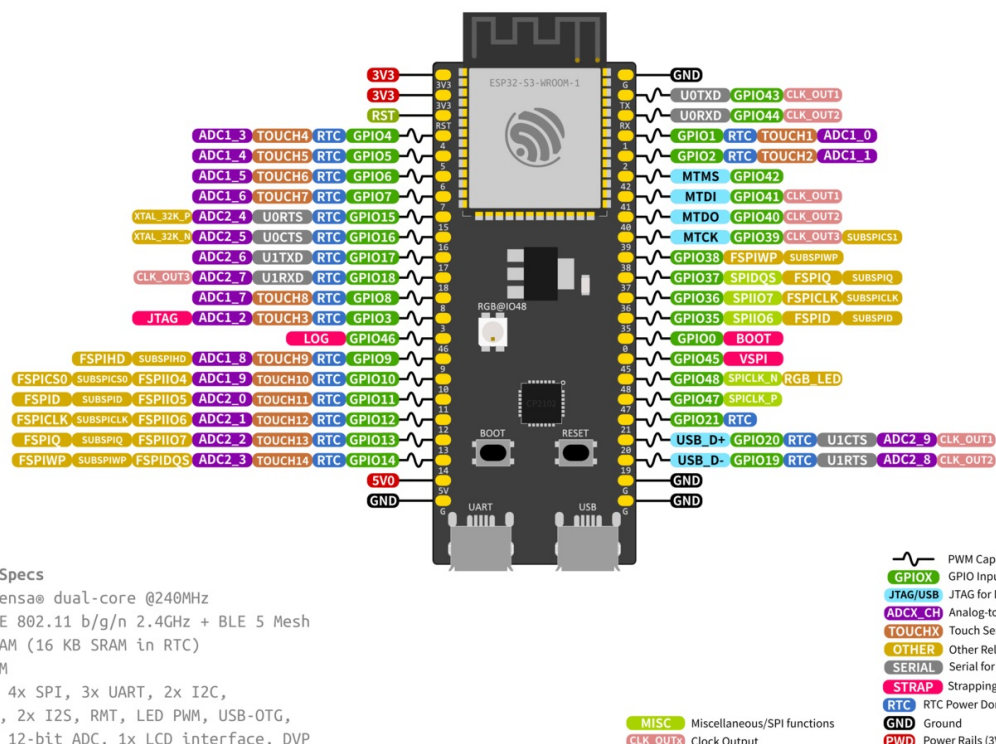
No.	Name	Type	Function
1	3V3	P	3.3 V power supply
2	3V3	P	3.3 V power supply
3	RST	I	EN
4	4	I/O/T	RTC_GPIO4, GPIO4, TOUCH4, ADC1_CH3
5	5	I/O/T	RTC_GPIO5, GPIO5, TOUCH5, ADC1_CH4
6	6	I/O/T	RTC_GPIO6, GPIO6, TOUCH6, ADC1_CH5
7	7	I/O/T	RTC_GPIO7, GPIO7, TOUCH7, ADC1_CH6
8	15	I/O/T	RTC_GPIO15, GPIO15, U0RTS, ADC2_CH4, XTAL_32K_P
9	16	I/O/T	RTC_GPIO16, GPIO16, U0CTS, ADC2_CH5, XTAL_32K_N
10	17	I/O/T	RTC_GPIO17, GPIO17, U1TXD, ADC2_CH6
11	18	I/O/T	RTC_GPIO18, GPIO18, U1RXD, ADC2_CH7, CLK_OUT3
12	8	I/O/T	RTC_GPIO8, GPIO8, TOUCH8, ADC1_CH7, SUBSPICS1
13	3	I/O/T	RTC_GPIO3, GPIO3, TOUCH3, ADC1_CH2
14	46	I/O/T	GPIO46
15	9	I/O/T	RTC_GPIO9, GPIO9, TOUCH9, ADC1_CH8, FSPiHD, SUBSPiHD
16	10	I/O/T	RTC_GPIO10, GPIO10, TOUCH10, ADC1_CH9, FSPiCS0, FSPiIO4, SUBSPiCS0
17	11	I/O/T	RTC_GPIO11, GPIO11, TOUCH11, ADC2_CH0, FSPiD, FSPiIO5, SUBSPiD
18	12	I/O/T	RTC_GPIO12, GPIO12, TOUCH12, ADC2_CH1, FSPiCLK, FSPiIO6, SUBSPiCLK
19	13	I/O/T	RTC_GPIO13, GPIO13, TOUCH13, ADC2_CH2, FSPiQ, FSPiIO7, SUBSPiQ
20	14	I/O/T	RTC_GPIO14, GPIO14, TOUCH14, ADC2_CH3, FSPiWP, FSPiDQS, SUBSPiWP
21	5V	P	5 V power supply
22	G	G	Ground

J3

No.	Name	Type	Function
1	G	G	Ground
2	TX	I/O/T	U0TXD, GPIO43, CLK_OUT1
3	RX	I/O/T	U0RXD, GPIO44, CLK_OUT2
4	1	I/O/T	RTC_GPIO1, GPIO1, TOUCH1, ADC1_CH0
5	2	I/O/T	RTC_GPIO2, GPIO2, TOUCH2, ADC1_CH1
6	42	I/O/T	MTMS, GPIO42
7	41	I/O/T	MTDI, GPIO41, CLK_OUT1
8	40	I/O/T	MTDO, GPIO40, CLK_OUT2
9	39	I/O/T	MTCK, GPIO39, CLK_OUT3, SUBSPIC1
10	38	I/O/T	GPIO38, FSPIWP, SUBSPIWP
11	37	I/O/T	SPIDQS, GPIO37, FSPIQ, SUBSPIQ
12	36	I/O/T	SPII07, GPIO36, FSPICLK, SUBSPICLK
13	35	I/O/T	SPII06, GPIO35, FSPID, SUBSPID
14	0	I/O/T	RTC_GPIO0, GPIO0
15	45	I/O/T	GPIO45
16	48	I/O/T	GPIO48, SPICLK_N, SUBSPICLK_N_DIFF, RGB LED
17	47	I/O/T	GPIO47, SPICLK_P, SUBSPICLK_P_DIFF
18	21	I/O/T	RTC_GPIO21, GPIO21
19	20	I/O/T	RTC_GPIO20, GPIO20, U1CTS, ADC2_CH9, CLK_OUT1, USB_D+
20	19	I/O/T	RTC_GPIO19, GPIO19, U1RTS, ADC2_CH8, CLK_OUT2, USB_D-
21	G	G	Ground
22	G	G	Ground

For description of function names, please refer to [Chip Datasheet \(PDF\)](#).

## ESP32-S3-DevKitC-1



ESP32-S3 Specs  
 32-bit Xtensa® dual-core @240MHz  
 Wi-Fi IEEE 802.11 b/g/n 2.4GHz + BLE 5 Mesh  
 512 KB SRAM (16 KB SRAM in RTC)  
 384 KB ROM  
 45 GPIOs, 4x SPI, 3x UART, 2x I2C,  
 14x Touch, 2x I2S, RMT, LED PWM, USB-OTG,  
 TWAI®, 2x 12-bit ADC, 1x LCD interface, DVP

Fig. 8: ESP32-S3-DevKitC-1 Pin Layout (click to enlarge)

<sup>1</sup> P: Power supply; I: Input; O: Output; T: High impedance.

## Pin Layout

**Hardware Revision Details** This is the first revision of this board released.

## Related Documents

- [ESP32-S3 Datasheet \(PDF\)](#)
- [ESP32-S3-WROOM-1 & ESP32-S3-WROOM-1U Datasheet \(PDF\)](#)
- [ESP32-S3-WROOM-2 Datasheet \(PDF\)](#)
- [ESP32-S3-DevKitC-1 Schematic \(PDF\)](#)
- [ESP32-S3-DevKitC-1 PCB layout \(PDF\)](#)
- [ESP32-S3-DevKitC-1 Dimensions \(PDF\)](#)
- [ESP32-S3-DevKitC-1 Dimensions source file \(DXF\)](#) - You can view it with [Autodesk Viewer](#) online

For further design documentation for the board, please contact us at [sales@espressif.com](mailto:sales@espressif.com).

## Chapter 2

# ESP32-S3-DevKitM-1

The ESP32-S3-DevKitM-1 is an entry-level development board equipped with either ESP32-S3-MINI-1 or ESP32-S3-MINI-1U, a module named for its small size. This board integrates complete Wi-Fi and Bluetooth® Low Energy functions.

Most of the I/O pins on the module are broken out to the pin headers on both sides of this board for easy interfacing. Developers can either connect peripherals with jumper wires or mount ESP32-S3-DevKitM-1 on a breadboard.

### 2.1 ESP32-S3-DevKitM-1

This user guide will help you get started with ESP32-S3-DevKitM-1 and will also provide more in-depth information.

The ESP32-S3-DevKitM-1 is an entry-level development board equipped with either ESP32-S3-MINI-1 or ESP32-S3-MINI-1U, a module named for its small size. This board integrates complete Wi-Fi and Bluetooth® Low Energy functions.

Most of the I/O pins on the module are broken out to the pin headers on both sides of this board for easy interfacing. Developers can either connect peripherals with jumper wires or mount ESP32-S3-DevKitM-1 on a breadboard.

The document consists of the following major sections:

- *Getting Started*: Overview of the board and hardware/software setup instructions to get started.
- *Hardware Reference*: More detailed information about the board's hardware.
- *Related Documents*: Links to related documentation.

#### 2.1.1 Getting Started

This section provides a brief introduction of ESP32-S3-DevKitM-1, instructions on how to do the initial hardware setup and how to flash firmware onto it.

#### Description of Components

The key components of the board are described in a counter-clockwise direction, starting from the ESP32-S3-MINI-1/1U module.

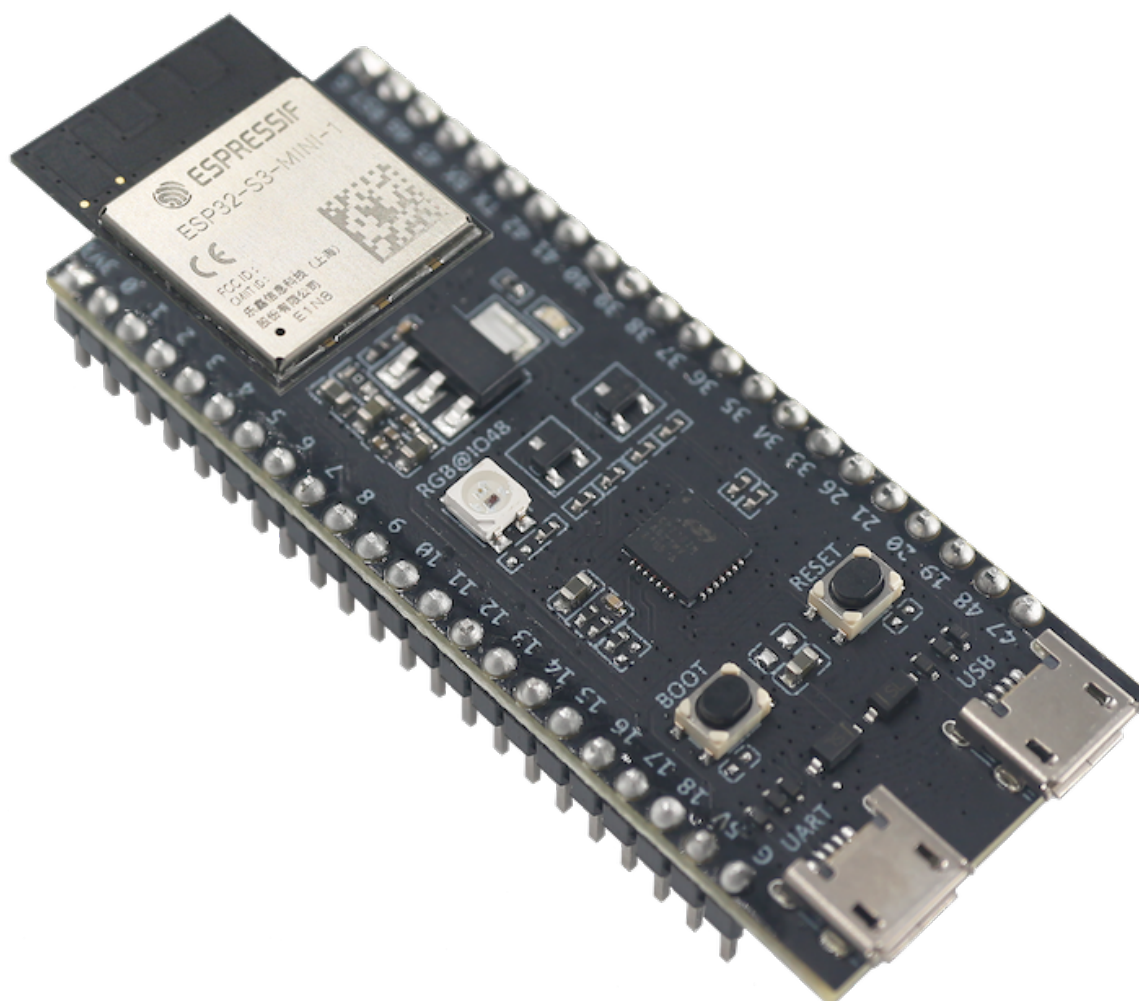


Fig. 1: ESP32-S3-DevKitM-1 with ESP32-S3-MINI-1 Module



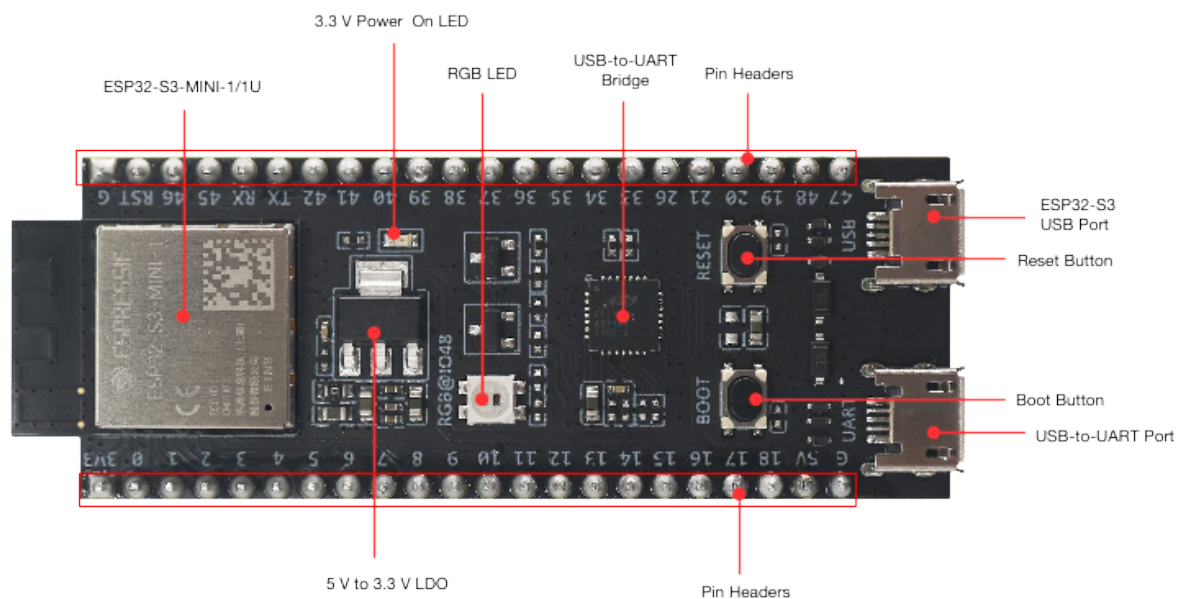


Fig. 2: ESP32-S3-DevKitM-1 - front

Key Component	Description
ESP32-S3-MINI-1/1U	ESP32-S3-MINI-1 and ESP32-S3-MINI-1U are two general-purpose Wi-Fi and Bluetooth Low Energy combo modules that have a rich set of peripherals. ESP32-S3-MINI-1 comes with a PCB antenna. ESP32-S3-MINI-1U comes with an external antenna connector. At the core of the modules is ESP32-S3FN8, a chip equipped with an 8 MB flash. Since flash is packaged in the chip, rather than integrated into the module, ESP32-S3-MINI-1/1U has a smaller package size.
5 V to 3.3 V LDO	Power regulator that converts a 5 V supply into a 3.3 V output.
Pin Headers	All available GPIO pins (except for the SPI bus for flash) are broken out to the pin headers on the board for easy interfacing and programming. For details, please see <a href="#">Header Block</a> .
USB-to-UART Port	A Micro-USB port used for power supply to the board, for flashing applications to the chip, as well as for communication with the chip via the on-board USB-to-UART bridge.
Boot Button	Download button. Holding down <b>Boot</b> and then pressing <b>Reset</b> initiates Firmware Download mode for downloading firmware through the serial port.
Reset Button	Press this button to restart ESP32-S3.
ESP32-S3 USB Port	ESP32-S3 full-speed USB OTG interface, compliant with the USB 1.1 specification. The interface is used for power supply to the board, for flashing applications to the chip, for communication with the chip using USB 1.1 protocols, as well as for JTAG debugging.
USB-to-UART Bridge	Single USB-to-UART bridge chip provides transfer rates up to 3 Mbps.
RGB LED	Addressable RGB LED, driven by GPIO48.
3.3 V Power On LED	Turns on when the USB power is connected to the board.

### Start Application Development

Before powering up your board, please make sure that it is in good condition with no obvious signs of damage.

### Required Hardware



- ESP32-S3-DevKitM-1
- USB 2.0 cable (Standard-A to Micro-B)
- Computer running Windows, Linux, or macOS

**Note:** Be sure to use an appropriate USB cable. Some cables are for charging only and do not provide the needed data lines nor work for programming the boards.

**Hardware Setup** Connect the board with the computer using **USB-to-UART Port** or **ESP32-S3 USB Port**. In subsequent steps, **USB-to-UART Port** will be used by default.

**Software Setup** Please proceed to [Get Started](#), where Section [Installation](#) will quickly help you set up the development environment and then flash an application example onto your board.

### Contents and Packaging

**Retail Orders** If you order a few samples, each board comes in an individual package in either antistatic bag or any packaging depending on your retailer.

For retail orders, please go to <https://www.espressif.com/en/contact-us/get-samples>.

**Wholesale Orders** If you order in bulk, the boards come in large cardboard boxes.

For wholesale orders, please go to <https://www.espressif.com/en/contact-us/sales-questions>.

## 2.1.2 Hardware Reference

### Block Diagram

The block diagram below shows the components of ESP32-S3-DevKitM-1 and their interconnections.

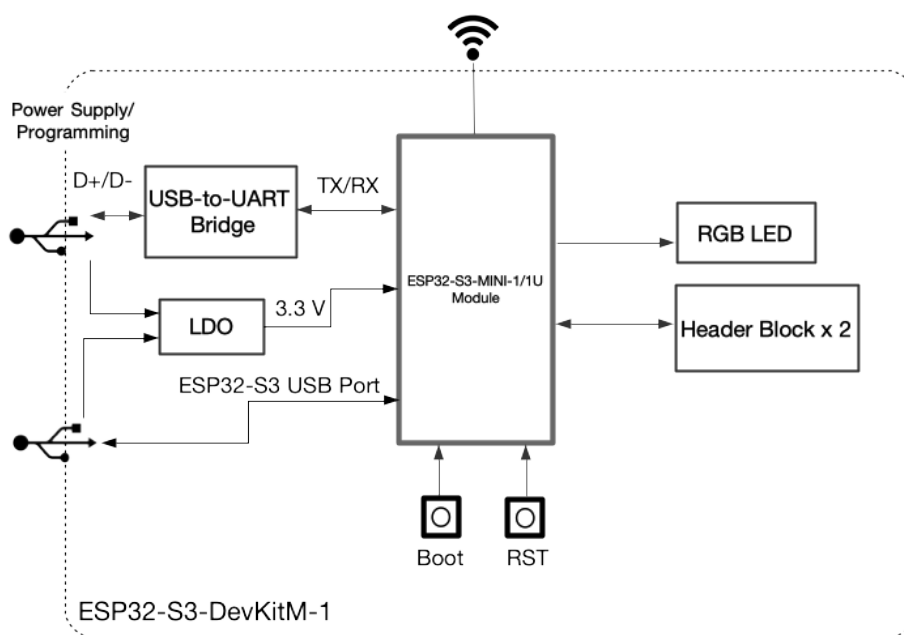


Fig. 3: ESP32-S3-DevKitM-1 (click to enlarge)

**Power Supply Options** There are three mutually exclusive ways to provide power to the board:

- USB-to-UART Port and ESP32-S3 USB Port (either one or both), default power supply (recommended)
- 5V and G (GND) pins
- 3V3 and G (GND) pins

### Header Block

The two tables below provide the **Name** and **Function** of the pins on both sides of the board (J1 and J3). The pin names are shown in *ESP32-S3-DevKitM-1 - front*. The numbering is the same as in the [Board Schematic](#) (PDF).

#### J1

No.	Name	Type <sup>1</sup>	Function
1	3V3	P	3.3 V power supply
2	0	I/O/T	RTC_GPIO0, GPIO0
3	1	I/O/T	RTC_GPIO1, GPIO1, TOUCH1, ADC1_CH0
4	2	I/O/T	RTC_GPIO2, GPIO2, TOUCH2, ADC1_CH1
5	3	I/O/T	RTC_GPIO3, GPIO3, TOUCH3, ADC1_CH2
6	4	I/O/T	RTC_GPIO4, GPIO4, TOUCH4, ADC1_CH3
7	5	I/O/T	RTC_GPIO5, GPIO5, TOUCH5, ADC1_CH4
8	6	I/O/T	RTC_GPIO6, GPIO6, TOUCH6, ADC1_CH5
9	7	I/O/T	RTC_GPIO7, GPIO7, TOUCH7, ADC1_CH6
10	8	I/O/T	RTC_GPIO8, GPIO8, TOUCH8, ADC1_CH7, SUBSPICS1
11	9	I/O/T	RTC_GPIO9, GPIO9, TOUCH9, ADC1_CH8, FSPIHD, SUBSPIHD
12	10	I/O/T	RTC_GPIO10, GPIO10, TOUCH10, ADC1_CH9, FSPICS0, FSPIIO4, SUBSPICS0
13	11	I/O/T	RTC_GPIO11, GPIO11, TOUCH11, ADC2_CH0, FSPID, FSPIIO5, SUBSPID
14	12	I/O/T	RTC_GPIO12, GPIO12, TOUCH12, ADC2_CH1, FSPICLK, FSPIIO6, SUBSPICLK
15	13	I/O/T	RTC_GPIO13, GPIO13, TOUCH13, ADC2_CH2, FSPIQ, FSPIIO7, SUBSPIQ
16	14	I/O/T	RTC_GPIO14, GPIO14, TOUCH14, ADC2_CH3, FSPIWP, FSPIDQS, SUBSPIWP
17	15	I/O/T	RTC_GPIO15, GPIO15, U0RTS, ADC2_CH4, XTAL_32K_P
18	16	I/O/T	RTC_GPIO16, GPIO16, U0CTS, ADC2_CH5, XTAL_32K_N
19	17	I/O/T	RTC_GPIO17, GPIO17, U1TXD, ADC2_CH6
20	18	I/O/T	RTC_GPIO18, GPIO18, U1RXD, ADC2_CH7, CLK_OUT3
21	5V	P	5 V power supply
22	G	G	Ground

<sup>1</sup> P: Power supply; I: Input; O: Output; T: High impedance.

J3

No.	Name	Type	Function
1	G	G	Ground
2	RST	I	EN
3	46	I/O/T	GPIO46
4	45	I/O/T	GPIO45
5	RX	I/O/T	U0RXD, GPIO44, CLK_OUT2
6	TX	I/O/T	U0TXD, GPIO43, CLK_OUT1
7	42	I/O/T	MTMS, GPIO42
8	41	I/O/T	MTDI, GPIO41, CLK_OUT1
9	40	I/O/T	MTDO, GPIO40, CLK_OUT2
10	39	I/O/T	MTCK, GPIO39, CLK_OUT3, SUBSPICS1
11	38	I/O/T	GPIO38, FSPIWP, SUBSPIWP
12	37	I/O/T	SPIDQS, GPIO37, FSPIQ, SUBSPIQ
13	36	I/O/T	SPII07, GPIO36, FSPICLK, SUBSPICLK
14	35	I/O/T	SPII06, GPIO35, FSPID, SUBSPID
15	34	I/O/T	SPII05, GPIO34, FSPICS0, SUBSPICS0
16	33	I/O/T	SPII04, GPIO33, FSPIHD, SUBSPIHD
17	26	I/O/T	SPICS1, GPIO26
18	21	I/O/T	RTC_GPIO21, GPIO21
19	20	I/O/T	RTC_GPIO20, GPIO20, U1CTS, ADC2_CH9, CLK_OUT1, USB_D+
20	19	I/O/T	RTC_GPIO19, GPIO19, U1RTS, ADC2_CH8, CLK_OUT2, USB_D-
21	48	I/O/T	SPICLK_N, GPIO48, SUBSPICLK_N_DIFF, RGB LED
22	47	I/O/T	SPICLK_P, GPIO47, SUBSPICLK_P_DIFF

For description of function names, please refer to [ESP32-S3 Datasheet \(PDF\)](#).

## ESP32-S3-DevKitM-1

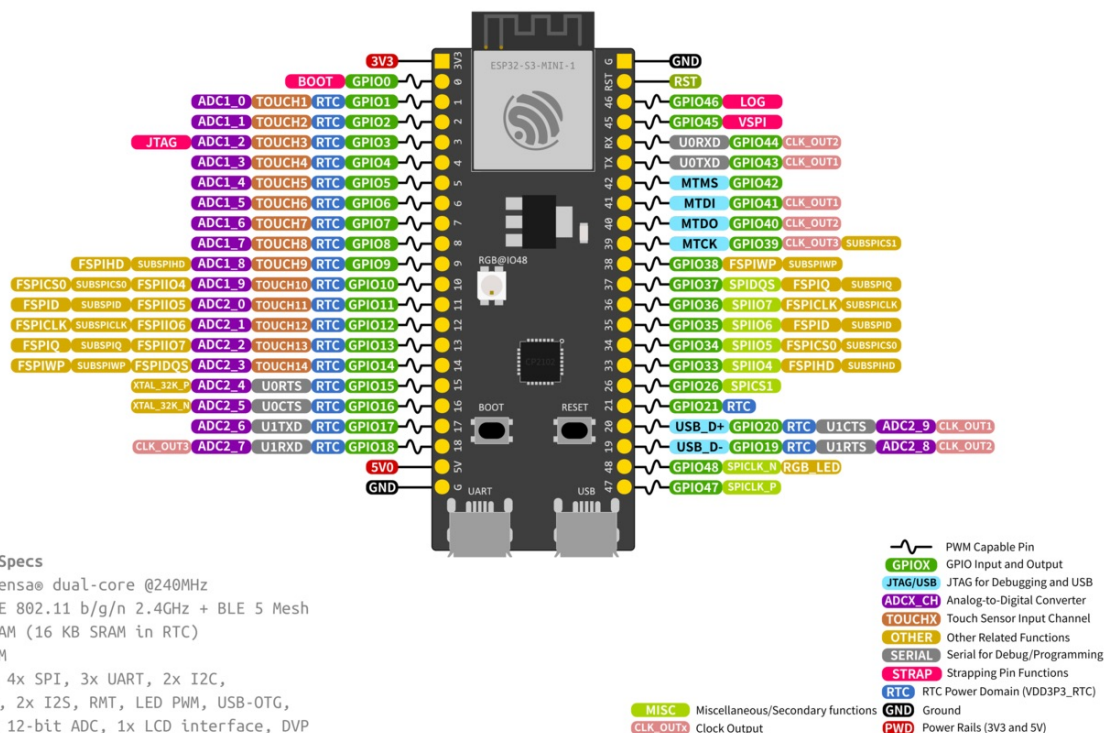


Fig. 4: ESP32-S3-DevKitM-1 Pin Layout (click to enlarge)

### Pin Layout

### 2.1.3 Hardware Revision Details

This is the first revision of this board released.

### 2.1.4 Related Documents

- [ESP32-S3 Datasheet \(PDF\)](#)
- [ESP32-S3-MINI-1 & ESP32-S3-MINI-1U Datasheet \(PDF\)](#)
- [ESP32-S3-DevKitM-1 Schematic \(PDF\)](#)
- [ESP32-S3-DevKitM-1 PCB layout \(PDF\)](#)
- [ESP32-S3-DevKitM-1 Dimensions \(PDF\)](#)
- [ESP32-S3-DevKitM-1 Dimensions source file \(DXF\)](#) - You can view it with [Autodesk Viewer](#) online

For further design documentation for the board, please contact us at [sales@espressif.com](mailto:sales@espressif.com).



## Chapter 3

# ESP32-S3-USB-OTG

ESP32-S3-USB-OTG is a development board that focuses on USB-OTG function verification and application development.

Application examples for this board can be found at [Examples](#).

### 3.1 ESP32-S3-USB-OTG

ESP32-S3-USB-OTG is a development board that focuses on USB-OTG function verification and application development. It is based on ESP32-S3 SoC, supports Wi-Fi and BLE 5.0 wireless functions, and supports USB host and USB device functions. It can be used to develop applications such as wireless storage devices, Wi-Fi network cards, LTE MiFi, multimedia devices, virtual keyboards and mice. The development board has the following features:

- Onboard ESP32-S3-MINI-1-N8 module, with built-in 8 MB flash
- Onboard USB Type-A host and device interface, with built-in USB interface switching circuit
- Onboard USB to serial debugging chip (Micro USB interface)
- Onboard 1.3-inch LCD color screen, supports GUI
- Onboard SD card interface, compatible with SDIO and SPI interfaces
- Onboard charging IC, can be connected to lithium battery

**The document consists of the following major sections:**

- *Getting Started*: Provides a brief overview of ESP32-S3-USB-OTG and necessary hardware and software information.
- *Hardware Reference*: Provides detailed hardware information of ESP32-S3-USB-OTG.
- *Related Documents*: Provides links to related documents.

#### 3.1.1 Getting Started

This section describes how to start using ESP32-S3-USB-OTG. It includes introduction to basic information about ESP32-S3-USB-OTG first, and then on how to start using the development board for application development, as well as board packaging and retail information.

#### Description of Components

The ESP32-S3-USB-OTG development board includes the following parts:

- **Motherboard**: ESP32-S3-USB-OTG motherboard is the core of the kit. The motherboard integrates the ESP32-S3-MINI-1 module and provides an interface of the 1.3-inch LCD screen.

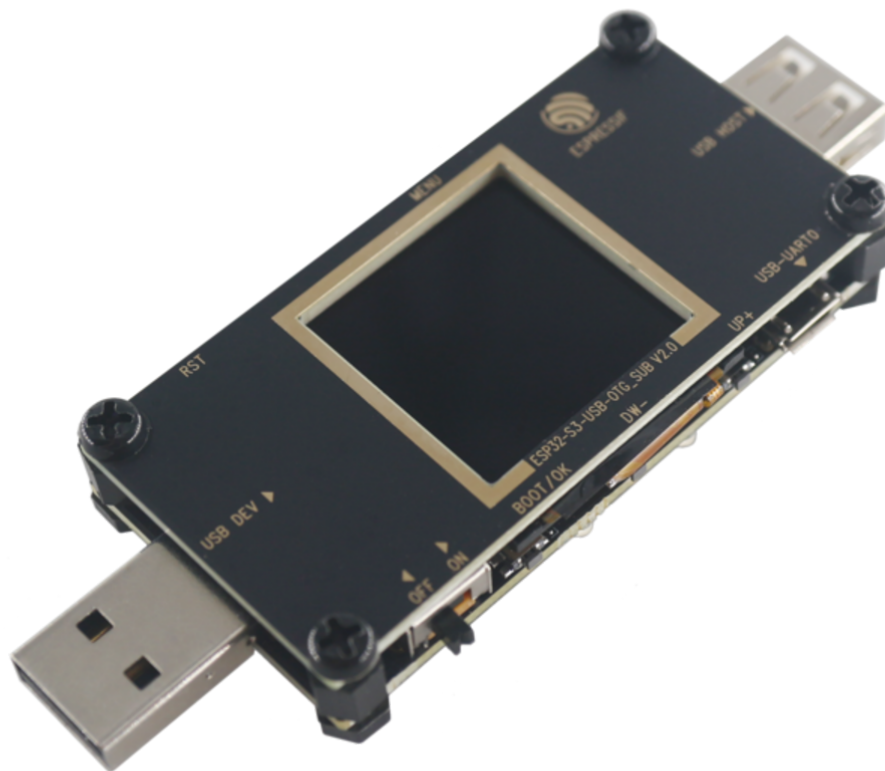


Fig. 1: ESP32-S3-USB-OTG (click to enlarge)

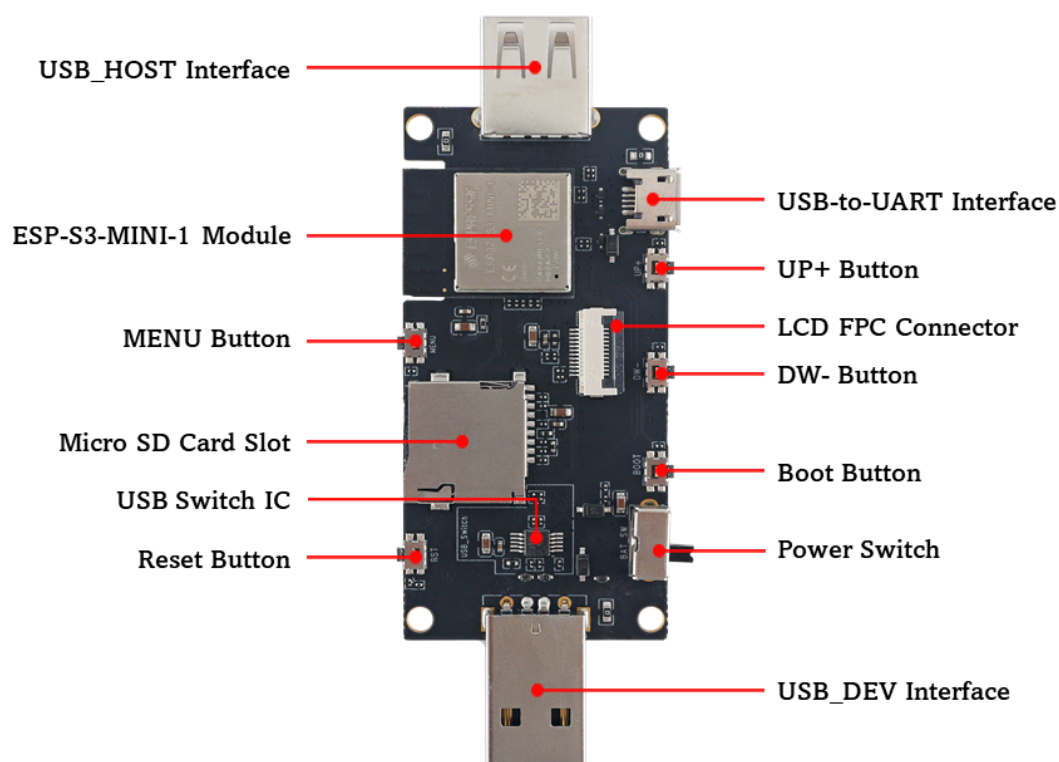


Fig. 2: ESP32-S3-USB-OTG Top View (click to enlarge)



The following table starts with the USB\_HOST Interface on the left, and introduces the main components in the above figure in an anticlockwise order.

Main components	Description
USB_HOST Interface	USB Type-A female port, used to connect other USB devices.
ESP32-S3-MINI-1 Module	ESP32-S3-MINI-1 is a powerful, generic Wi-Fi + Bluetooth LE MCU module that has a rich set of peripherals. It has strong ability for neural network computing and signal processing. ESP32-S3-MINI-1 comes with a PCB antenna and is pin-to-pin compatible with ESP32-S2-MINI-1.
MENU Button	Menu button.
Micro SD Card Slot	Micro SD card can be inserted. Both four-line SDIO and SPI mode are supported.
USB Switch IC	By setting the level of USB_SEL, you can switch USB peripherals to make them either connected to the USB_DEV interface or the USB_HOST interface. USB_DEV will be connected by default.
Reset Button	Press this button to restart the system.
USB_DEV Interface	USB Type-A male port, can be connected to the USB host, and also used as a lithium battery charge power source.
Power Switch	Switch to ON to use battery power. Switch to OFF to power off battery.
Boot Button	Download button. Holding down Boot and then pressing Reset initiates Firmware Download mode for downloading firmware through the serial port.
DW- Button	Down button.
LCD FPC Connector	Used to connect the 1.3-inch LCD screen.
UP+ Button	Up button.
USB-to-UART Interface	A Micro-USB port used for power supply to the board, for flashing applications to the chip, as well as for communication with the chip via the on-board USB-to-UART bridge.

The following table starts with the Yellow LED on the left, and introduces the main components in the above figure in an anticlockwise order.

Main components	Description
Yellow LED	Driven by GPIO16, set high level to turn on.
Green LED	Driven by GPIO15, set high level to turn on.
Charging LED	During charging, the red light is on, which will be turned off when charged.
Battery Solder Joints	3.6 V lithium battery can be welded to power the motherboard.
Charging Circuit	Used to charge lithium battery.
Free Pins	Idle pins that can be customized.
USB-to-UART Bridge	Single USB-to-UART bridge chip provides transfer rates up to 3 Mbps.

- **Subboard:** ESP32-S3-USB-OTG-SUB mount the 1.3-inch LCD screen

### Start Application Development

Before powering on the ESP32-S3-USB-OTG, please make sure that the development board is intact.

### Required Hardware

- ESP32-S3-USB-OTG
- A USB 2.0 data cable (standard A to Micro-B)
- Computer (Windows, Linux or macOS)

**Software Setup** Please proceed to [Get Started](#), where Section [Installation Step by Step](#) will quickly help you set up the development environment and then flash an application example onto your board.

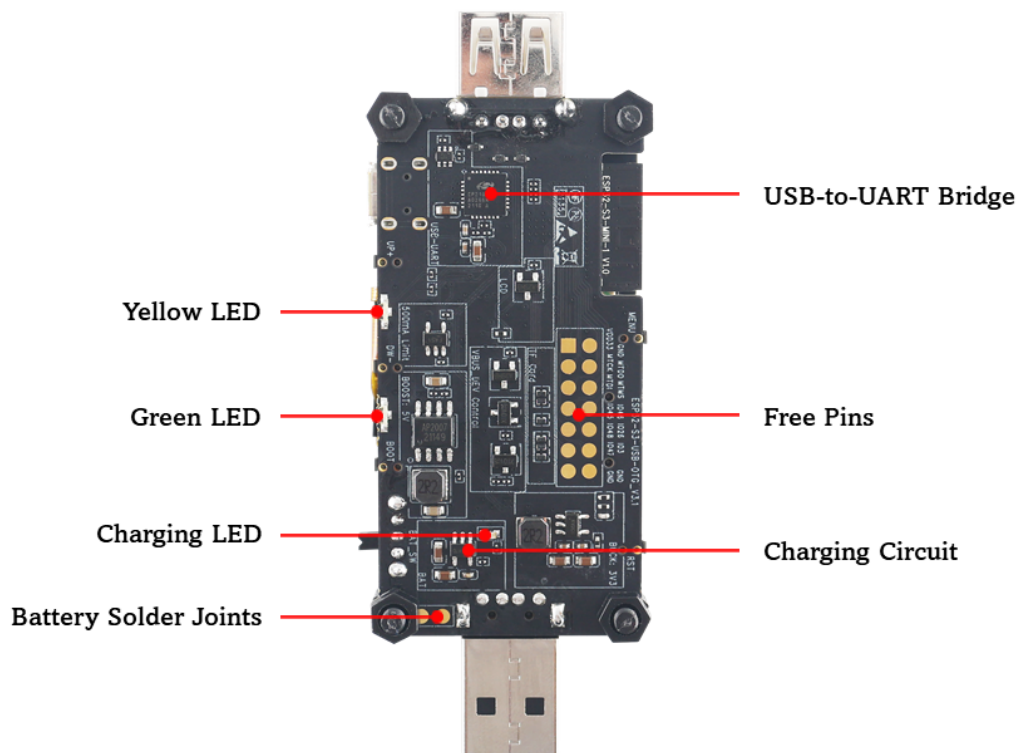


Fig. 3: ESP32-S3-USB-OTG Bottom View (click to enlarge)

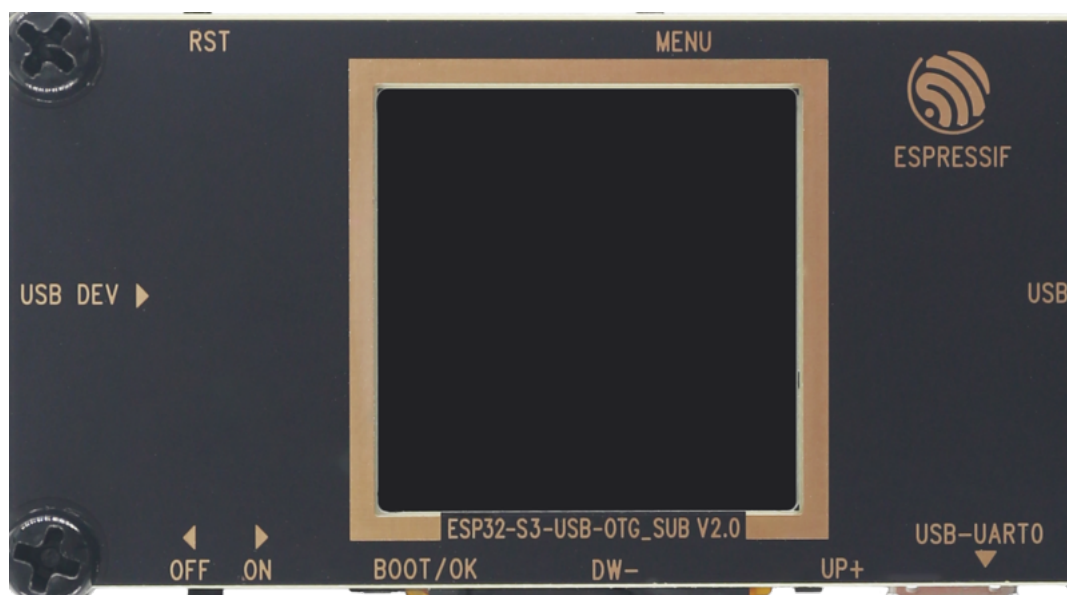


Fig. 4: ESP32-S3-USB-OTG Subboard (click to enlarge)

**Project Option** An example is provided for ESP32-S3-USB-OTG under the folder [Examples](#) . You can configure project options by entering `idf.py menuconfig` in the example directory.

### Contents and Packaging

**Retail Orders** If you order a few samples, each board comes in an individual package in either an antistatic bag or any packaging depending on your retailer.



Fig. 5: ESP32-S3-USB-OTG Package (click to enlarge)

Which contains the following parts:

- Motherboard:
  - ESP32-S3-USB-OTG
- Subboard:
  - ESP32-S3-USB-OTG\_SUB
- Fastener
  - Mounting bolt (x4)
  - Screw (x4)
  - Nut (x4)

For retail orders, please go to <https://www.espressif.com/zh-hans/company/contact/buy-a-sample>.

**Wholesale Order** If purchased in bulk, the development board will be packaged in a large cardboard box.

For wholesale orders, please go to <https://www.espressif.com/en/contact-us/sales-questions>.

### 3.1.2 Hardware Reference

## Block Diagram

The block diagram below shows the components of ESP32-S3-USB-OTG and their interconnections.

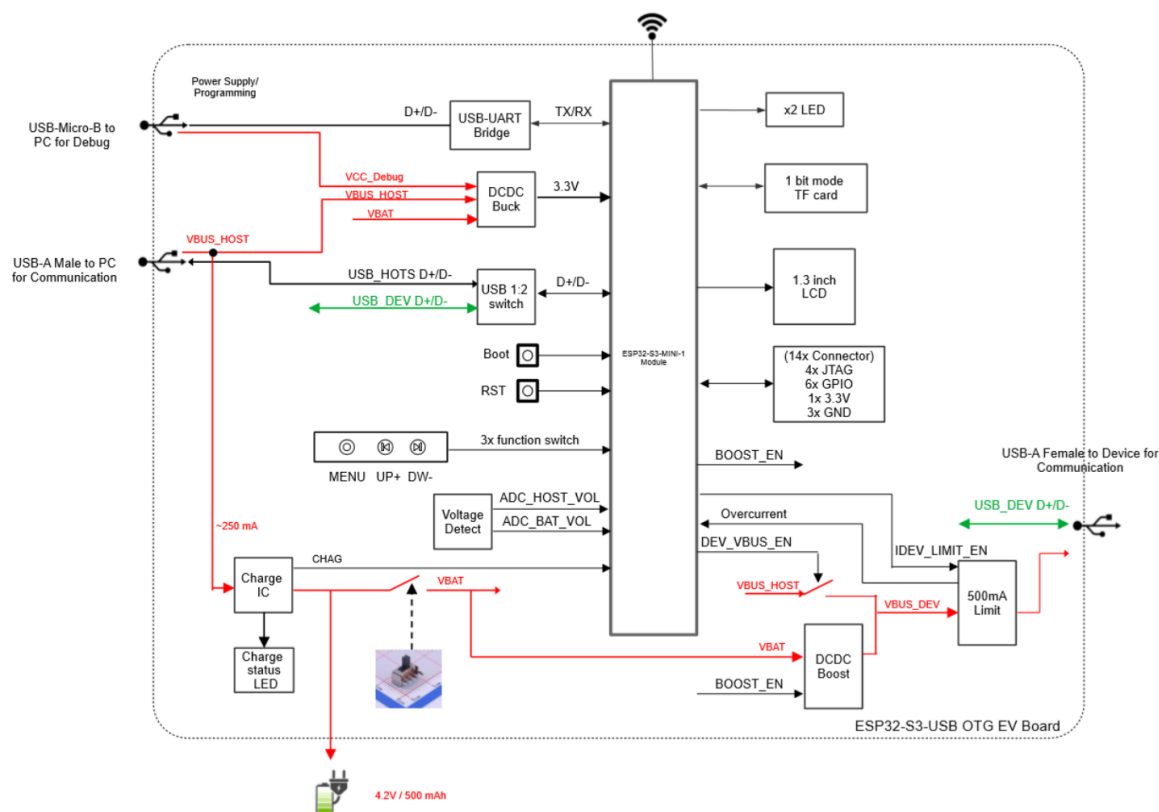


Fig. 6: ESP32-S3-USB-OTG Block Diagram (click to enlarge)

Please note that the external interface corresponding to the USB\_HOST D+ D- signal in the functional block diagram is USB\_DEV, which means that ESP32-S3 is used as a device to receive signals from other USB hosts. The external interface corresponding to the USB\_DEV D+ D- signal is USB\_HOST, which means that ESP32-S3 acts as a host to control other devices.

## Power Supply Options

There are three power supply methods for the development board:

1. Power supply through the `Micro_USB` interface
  - Use the USB cable (standard A to Micro-B) to connect the motherboard to a power supply device, and set battery switch to OFF. Please note that in this power supply mode, only the motherboard and display are powered.
2. Power supply through the `USB_DEV` interface
  - Set `DEV_VBUS_EN` to high level, and set the battery switch to OFF. This mode can supply power to the USB\_HOST interface. The lithium battery will be charged at the same time (if the lithium battery is installed)
3. Power supply through the battery
  - Set `BOOST_EN` to high level, and set the battery switch to ON. You should solder a 1-Serial lithium battery (3.7 V ~ 4.2 V) to the power solder joint reserved on the back of the motherboard first. This mode can supply power to the USB\_HOST interface at the same time. The battery interface description is as follows:



Fig. 7: Battery Connection (click to enlarge)

## USB HOST Interface Power Options

The USB HOST interface (Type-A female port) can supply power to the connected USB device. The power supply voltage is 5 V and the maximum current is 500 mA.

- There are two power supply methods for the USB HOST interface:
  1. Power is supplied through the USB\_DEV interface, and the 5 V power is directly from the power source connected to the interface.
  2. Power is supplied through the lithium battery, and the 3.6 V ~ 4.2 V voltage of the lithium battery is boosted to 5 V through the Boost circuit. The working status of Boost IC can be controlled by BOOST\_EN/GPIO13, set high to enable Boost.

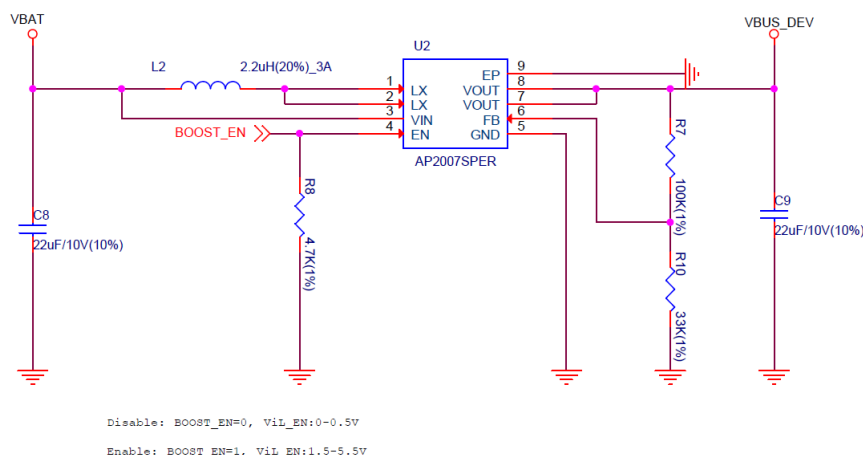


Fig. 8: Boost Circuit (click to enlarge)

- USB HOST interface power supply selection:

BOOST_EN	DEV_VBUS_EN	Power Source
0	1	USB_DEV
1	0	Battery
0	0	No output
1	1	Undefined

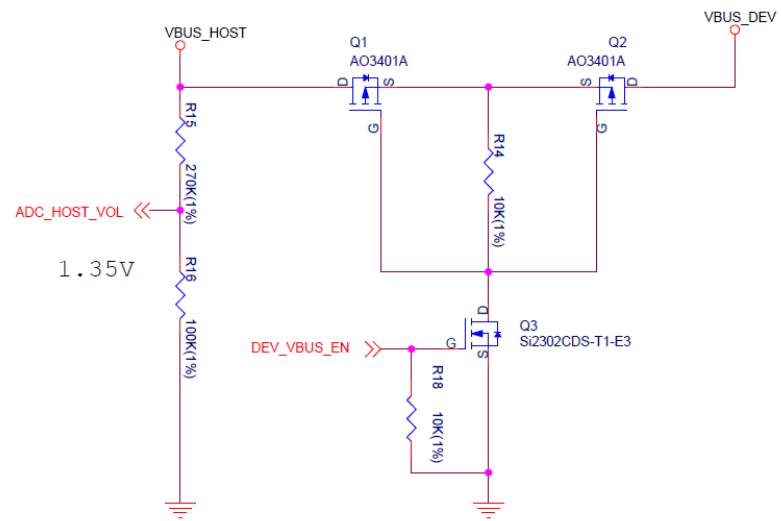
- 500 mA current limiting circuit:
  1. The current limiting IC MIC2005A can limit the maximum output current of the USB HOST interface to 500 mA. Please set the IDEV\_LIMIT\_EN (GPIO17) to high level to enable the current-limiting IC to output voltage.

## USB Interface Switch Circuit

- When **USB\_SEL** (GPIO18) is set to high level, the USB D+/D- Pin (GPIO19, 20) will be connected to USB\_DEV D+ D-. Then you can use the USB HOST interface (Type-A female Port) to connect other USB devices.
- When **USB\_SEL** (GPIO18) is set to low level, the USB D+/D- Pin (GPIO19, 20) will be connected to USB\_HOST D+ D-. Then you can use the USB DEV interface (Type-A male port) to connect to a host like a PC.
- **USB\_SEL** is pulled low level by default.

## LCD Interface

Please note that this interface supports connecting SPI interface screens. The screen controller used by this development board is :project:`ST7789 <esp32-s3-usb-otg/datasheet/ST7789VW\_datasheet.pdf>`, and LCD\_BL (GPIO9)



Switch to VBUS\_HOST power mode: Step1: set BOOST\_EN=0 & Step2: set DEV\_VBUS\_EN=1  
 Switch to VBAT boost power mode: Step1: set DEV\_VBUS\_EN=0 & Step2: set BOOST\_EN=1

Fig. 9: Power Switch Circuit (click to enlarge)

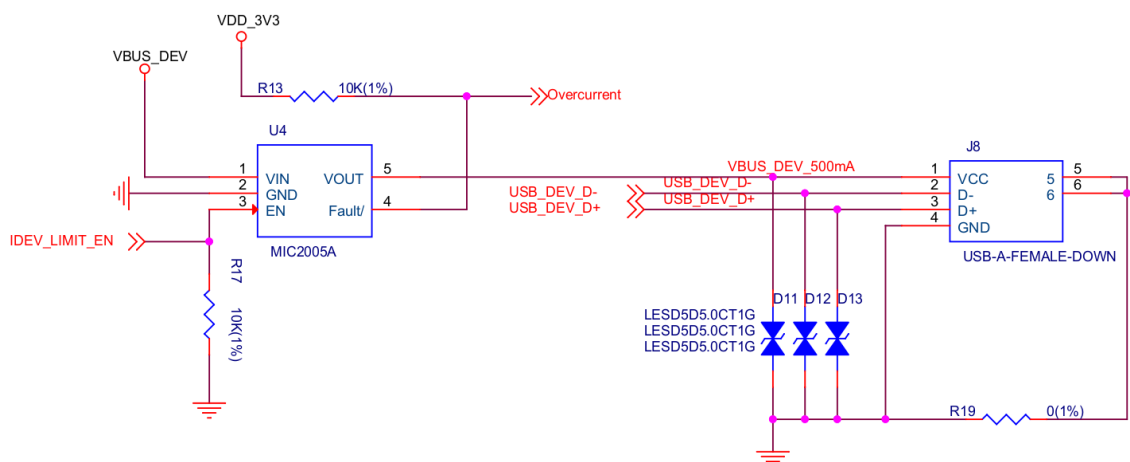


Fig. 10: 500 mA Current Limiting Circuit (click to enlarge)

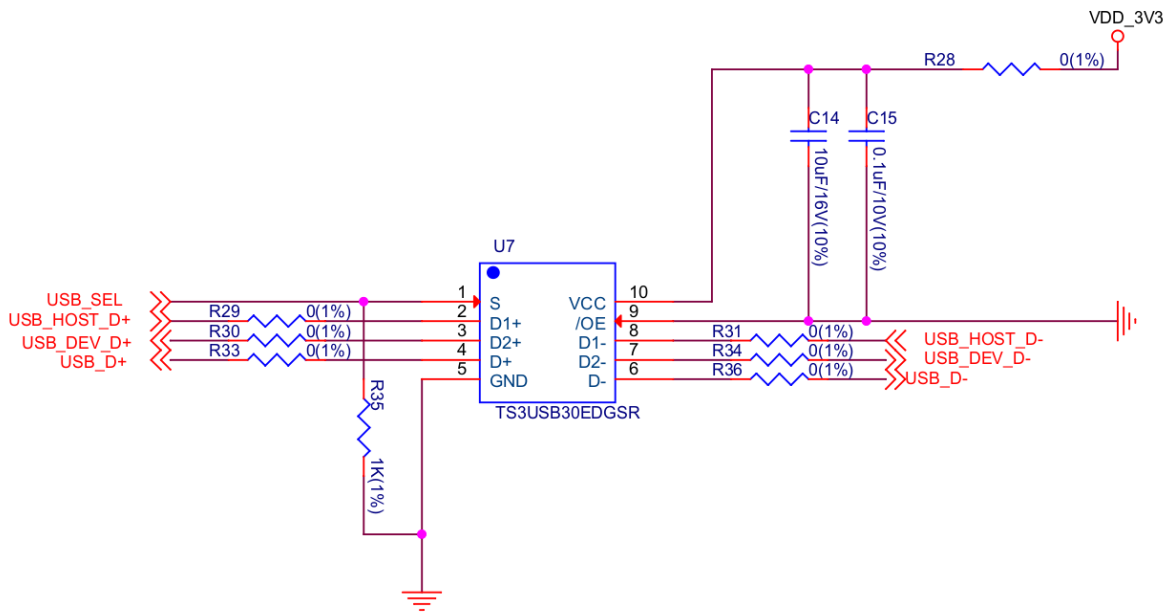


Fig. 11: USB Interface Switch Circuit (click to enlarge)

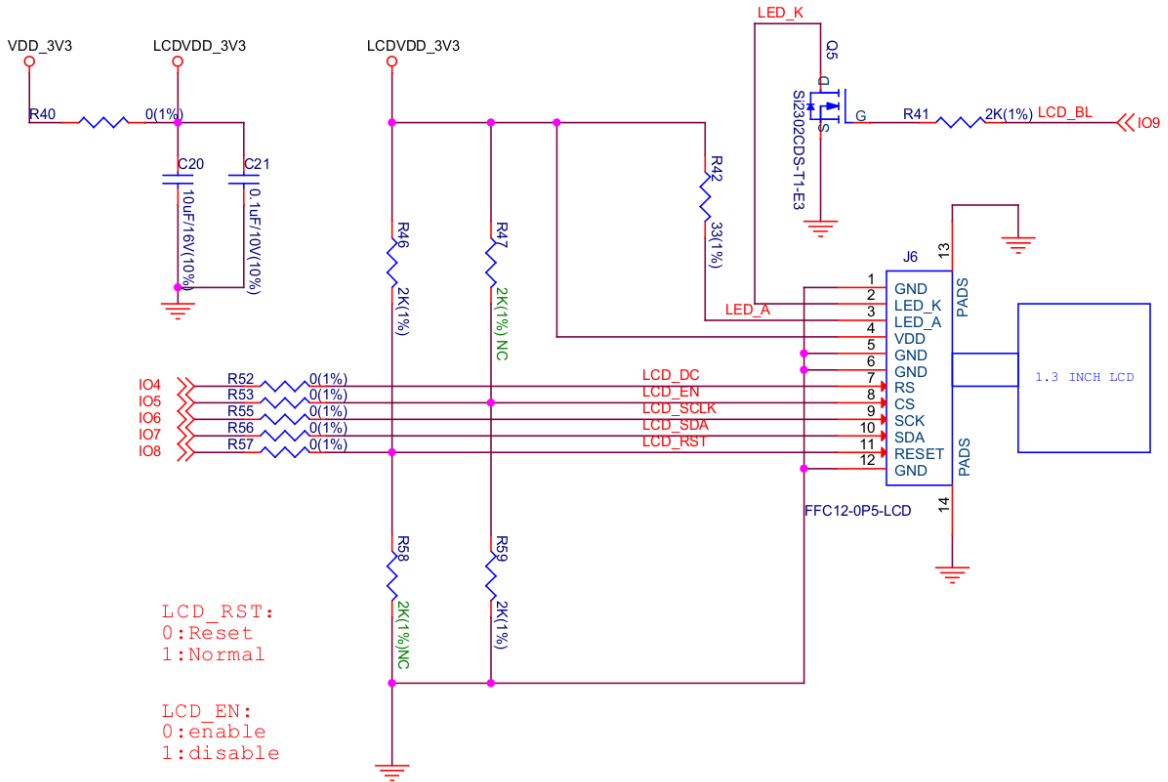


Fig. 12: LCD Interface Circuit (click to enlarge)





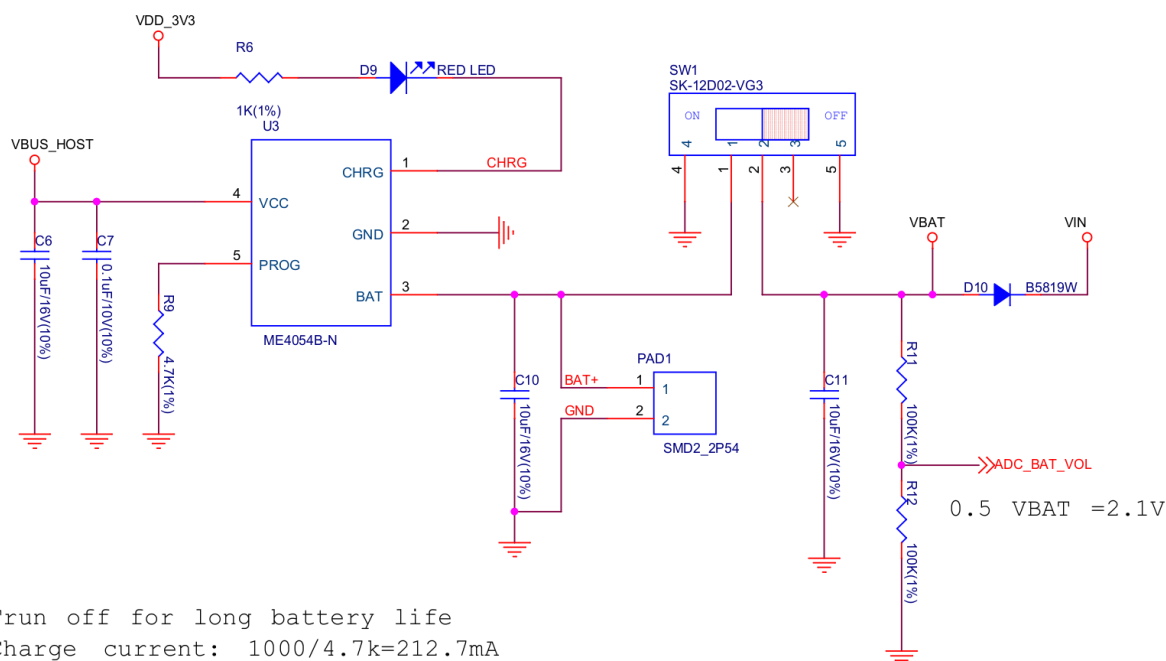


Fig. 14: Charging Circuit (click to enlarge)

No.	ESP32-S3-MINI-1 Pin	Description
1	GPIO18	USB_SEL: Used to switch the USB interface. When high level, the USB_HOST interface is enabled. When low level (default), the USB_DEV interface is enabled.
2	GPIO19	Connect with USB D-.
3	GPIO20	Connect with USB D+.
4	GPIO15	LED_GREEN: the light is lit when set high level.
5	GPIO16	LED_YELLOW: the light is lit when set high level.
6	GPIO0	BUTTON_OK: OK button, low level when pressed.
7	GPIO11	BUTTON_DW: Down button, low level when pressed.
8	GPIO10	BUTTON_UP: UP button, low level when pressed.
9	GPIO14	BUTTON_MENU: Menu button, low level when pressed.
10	GPIO8	LCD_RET: used to reset LCD, low level to reset.
11	GPIO5	LCD_EN: used to enable LCD, low level to enable.
12	GPIO4	LCD_DC: Used to switch data and command status.
13	GPIO6	LCD_SCLK: LCD SPI Clock.
14	GPIO7	LCD_SDA: LCD SPI MOSI.
15	GPIO9	LCD_BL: LCD backlight control.
16	GPIO36	SD_SCK: SD SPI CLK / SDIO CLK.
17	GPIO37	SD_DO: SD SPI MISO / SDIO Data0.
18	GPIO38	SD_D1: SDIO Data1.
19	GPIO33	SD_D2: SDIO Data2.
20	GPIO34	SD_D3: SD SPI CS / SDIO Data3.
21	GPIO1	HOST_VOL: USB_DEV voltage monitoring, ADC1 channel 0.
22	GPIO2	BAT_VOL: Battery voltage monitoring, ADC1 channel 1.
23	GPIO17	LIMIT_EN: Enable current limiting IC, high level enable.
24	GPIO21	OVER_CURRENT: Current overrun signal, high level means overrun.
25	GPIO12	DEV_VBUS_EN: High level to enable DEV_VBUS power supply.
26	GPIO13	BOOST_EN: High level to enable Boost boost circuit.

**Extended pin:**

No.	ESP32-S3-MINI-1 Pin	Description
1	GPIO45	FREE_1: Idle, can be customized.
2	GPIO46	FREE_2: Idle, can be customized.
3	GPIO48	FREE_3: Idle, can be customized.
4	GPIO26	FREE_4: Idle, can be customized.
5	GPIO47	FREE_5: Idle, can be customized.
6	GPIO3	FREE_6: Idle, can be customized.

**3.1.3 Related Documents**

- [ESP32-S3 Datasheet \(PDF\)](#)
- [ESP32-S3-MINI-1/1U Datasheet \(PDF\)](#)
- [Espressif Product Selection Tool](#)
- [ESP32-S3-USB-OTG Schematic Diagram \(PDF\)](#)
- [ESP32-S3-USB-OTG PCB Layout Drawing \(PDF\)](#)
- [ST7789VW Datasheet \(PDF\)](#)

## Chapter 4

# ESP32-S3-LCD-EV-Board

ESP32-S3-LCD-EV-Board is a development board for evaluating and verifying esp32s3 screen interactive applications. It has the functions of touchscreen interaction and voice interaction.

---

**Note:** Please check the version number of your ESP32-S3-LCD-EV-Board-MB indicated by the silk marking on the back. For boards of the v1.5 version, please refer to [ESP32-S3-LCD-EV-Board v1.5](#). For boards of the v1.4 and below versions, please refer to [ESP32-S3-LCD-EV-Board v1.4](#).

Unless otherwise stated, the ESP32-S3-LCD-EV-Board in this document refers to both **ESP32-S3-LCD-EV-Board** and **ESP32-S3-LCD-EV-Board-2**.

---

### 4.1 ESP32-S3-LCD-EV-Board v1.5

---

**Note:** Please check the version number of your ESP32-S3-LCD-EV-Board-MB indicated by the silk marking on the back. For boards of the v1.5 version, please refer to this user guide. For boards of the v1.4 and below versions, please refer to [ESP32-S3-LCD-EV-Board v1.4](#).

Unless otherwise stated, the ESP32-S3-LCD-EV-Board in this document refers to both **ESP32-S3-LCD-EV-Board** and **ESP32-S3-LCD-EV-Board-2**.

---

This user guide will help you get started with ESP32-S3-LCD-EV-Board and will also provide more in-depth information.

The document consists of the following sections:

- [Board Overview](#): Overview of the board hardware/software.
- [Start Application Development](#): How to set up hardware/software to develop applications.
- [Hardware Reference](#): More detailed information about the board's hardware.
- [Hardware Revision Details](#): This is the first revision of this board released.
- [Sample Request](#): How to get a sample board.
- [Related Documents](#): Links to related documentation.

#### 4.1.1 Board Overview

ESP32-S3-LCD-EV-Board is an ESP32-S3-based development board with a touchscreen. Together with different subboards, ESP32-S3-LCD-EV-Board can drive LCDs with IIC, SPI, 8080, and RGB interfaces. It houses dual array

microphones, supports voice recognition and near/far-field voice wake-up, and features screen and voice interaction. The board caters to development needs for touchscreen products with different resolutions and interfaces.

Currently, we have two boards available:

- ESP32-S3-LCD-EV-Board with 480x480 LCD
- ESP32-S3-LCD-EV-Board-2 with 800x480 LCD



Fig. 1: ESP32-S3-LCD-EV-Board with 480x480 LCD

### Feature List

The main features of the board are listed below:

- **Module Embedded:** ESP32-S3-WROOM-1 module with 16 MB flash and 16 MB PSRAM
- **Display:** Compatibility with various subboards and support for displays with RGB, 8080, SPI, and I2C interfaces. Please refer to [LCD Subboards](#) for more information
- **Audio:** Audio Codec + ADC amplifier and dual microphones
- **USB:** USB to serial port chip plus USB Type-C download/debug

### Block Diagram

The block diagram below shows the components of ESP32-S3-LCD-EV-Board and their interconnections.



Fig. 2: ESP32-S3-LCD-EV-Board-2 with 800x480 LCD

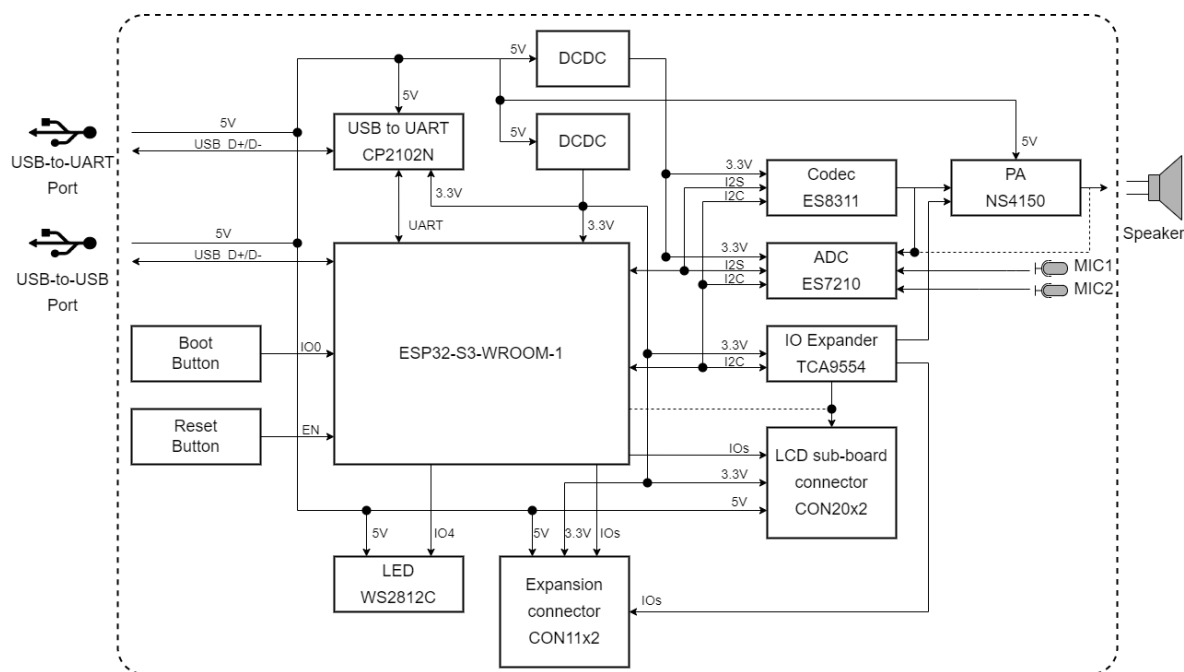


Fig. 3: ESP32-S3-LCD-EV-Board Block Diagram (Click to Enlarge)

## Description of Components

The ESP32-S3-LCD-EV-Board consists of a mainboard and a subboard (see [LCD Subboards](#) for options). Additionally, it allows for a selection of a USB Type-A adapter.

**Mainboard** **ESP32-S3-LCD-EV-Board-MB** is the core of the kit, which integrates the ESP32-S3-WROOM-1 module and provides ports for connection to the LCD subboard.

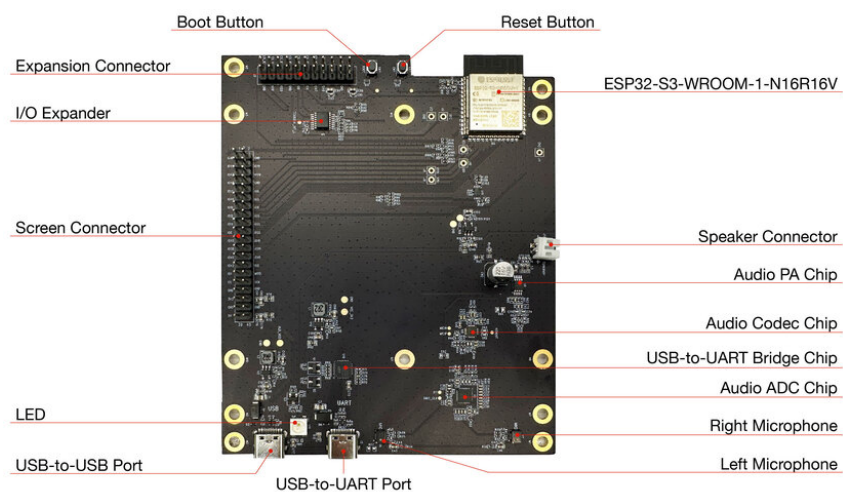


Fig. 4: ESP32-S3-LCD-EV-Board-MB - Front (Click to Enlarge)

The key components of the board are described in a counter-clockwise direction.

Key Component	Description
ESP32-S3-WROOM-1-N16R16V Module	ESP32-S3-WROOM-1-N16R16V is a generic Wi-Fi + Bluetooth LE MCU module that is built around the ESP32-S3 series of SoCs. It is integrated with 16 MB flash and 16 MB PSRAM. On top of a rich set of peripherals, the acceleration for neural network computing and signal processing workloads provided by the SoC makes the module an ideal choice for a wide variety of application scenarios related to Artificial Intelligence of Things (AIoT).
Reset Button	Press this button to reset the system.
Boot Button	Holding down the Boot key and momentarily pressing the Reset key initiates the firmware upload mode. Then you can upload firmware through the serial port or USB.
Expansion Connector	Provides connections for all I/O expander pins, all power supply pins, and some module pins.
I/O Expander	<a href="#">TCA9554</a> is a device that provides 8 bits of general purpose parallel I/O expansion. It controls the I/O mode and level via two-line bidirectional I2C bus, offering a simple solution when additional I/Os are needed.
LCD Board Connector	Three different types of LCD subboards can be connected via connectors with 2.54 mm pitch.
LED	Supports configuring the RGB LED display to indicate status or behavior.
USB-to-USB Port	Provides power to the entire system (choose either USB-to-USB or USB-to-UART port). It is recommended to use at least a 5V/2A power adapter to ensure stable power supply. Used for USB communication between the PC and the ESP32-S3-WROOM-1 module.
USB-to-UART Port	Provides power to the entire system (choose either USB-to-USB or USB-to-UART port). It is recommended to use at least a 5V/2A power adapter to ensure stable power supply. Used for serial communication between the PC side and the ESP32-S3-WROOM-1 module.
Left Microphone	On-board microphone, connected to Audio ADC Chip.
Right Microphone	On-board microphone, connected to Audio ADC Chip.
Audio ADC Chip	<a href="#">ES7210</a> is a high performance, low power 4-channel audio ADC for applications of microphone arrays. Featuring Acoustic Echo Cancellation (AEC), it is an ideal choice for music and voice applications.
USB-to-UART Bridge Controller	CP2102N, the single-chip USB-to-UART bridge controller, provides up to 3 Mbps connection for software download and debugging.
Audio Codec Chip	<a href="#">ES8311</a> is a low-power mono audio codec that includes a single-channel ADC and DAC, low noise pre-amplifier, headphone driver, digital audio, analog mixing, and gain function. It connects to the ESP32-S3-WROOM-1 module via I2S and I2C buses to process audio through hardware instead of the audio application.
Audio Amplifier	NS4150 is a low EMI, 3 W mono class D audio amplifier used to drive speakers by amplifying the audio signal from the audio codec chip.
Speaker Connector	External speaker playback is possible with the help of the audio amplifier.

**LCD Subboards** The mainboard can be used together with three different kinds of subboards:



Board Name	Display (Inch)	Resolution (Px)	LCD Driver (Interface)	Touch Driver	Available Boards	Development
ESP32-S3-LCD-EV-Board-SUB1 v1.0	0.96	128 x 64	<a href="#">SSD1315</a> (I2C)	N/A	Not Available	
	2.40	320 x 240	<a href="#">ST7789V</a> (SPI)	<a href="#">XTP2046</a>	Not Available	
ESP32-S3-LCD-EV-Board-SUB2 v1.5	3.50	480 x 320	<a href="#">ST7796S</a> (8080)	<a href="#">GT911</a>	Not Available	
	3.95	480 x 480	<a href="#">GC9503CV</a> (RGB)	<a href="#">FT5x06</a>	<a href="#">ESP32-S3-LCD-EV-Board</a>	
ESP32-S3-LCD-EV-Board-SUB3 v1.3	4.30	800 x 480	<a href="#">ST7262E43</a> (RGB)	<a href="#">GT1151</a>	<a href="#">ESP32-S3-LCD-EV-Board-2</a>	

- **ESP32-S3-LCD-EV-Board-SUB1** subboard has two interfaces, which support connection to a 2.4-inch display with the SPI interface or a 0.96-inch display with the I2C interface. This board is not yet configured, so it is not further explained here.
- **ESP32-S3-LCD-EV-Board-SUB2** subboard has two interfaces, which support connection to a display with the RGB interface or a display with the 8080 parallel interface. The current subboard has a 3.95-inch touchscreen with the RGB565 interface and 480x480 resolution. The LCD driver IC is GC9503CV and the touchscreen driver IC is FT5x06.



Fig. 5: ESP32-S3-LCD-EV-Board-SUB2 - Front (Click to Enlarge)

- **ESP32-S3-LCD-EV-Board-SUB3** subboard only supports a 4.3-inch touchscreen with the RGB565 interface and 800x480 resolution. The LCD driver IC is ST7262E43 and the touchscreen driver IC is GT1151.



Fig. 6: ESP32-S3-LCD-EV-Board-SUB2 - Back (Click to Enlarge)

**USB Type-A Adapter** With the USB Type-A adapter, the mainboard can serve as a USB host for connection to USB devices.

### 4.1.2 Start Application Development

This section provides instructions on how to do hardware and software setup and flash firmware onto the board to develop your own application.

#### Required Hardware

- 1 x ESP32-S3-LCD-EV-Board-MB
- 1 x LCD subboard
- 1 x USB 2.0 cable (standard Type-A to Type-C)
- 1 x PC (Windows, Linux, or macOS)

---

**Note:** Please make sure to use the appropriate USB cable. Some cables can only be used for charging, not for data transfer or program flashing.

---

#### Optional Hardware

- 1 x Speaker



Fig. 7: ESP32-S3-LCD-EV-Board-SUB3 - Front (Click to Enlarge)



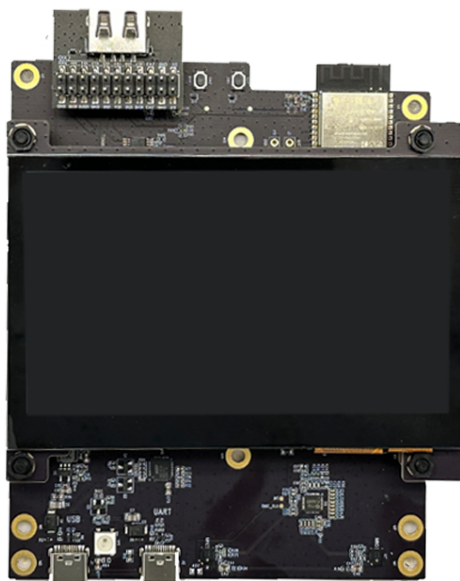


Fig. 10: USB Type-A Adapter v1.1 - Connected to the Mainboard (Click to Enlarge)

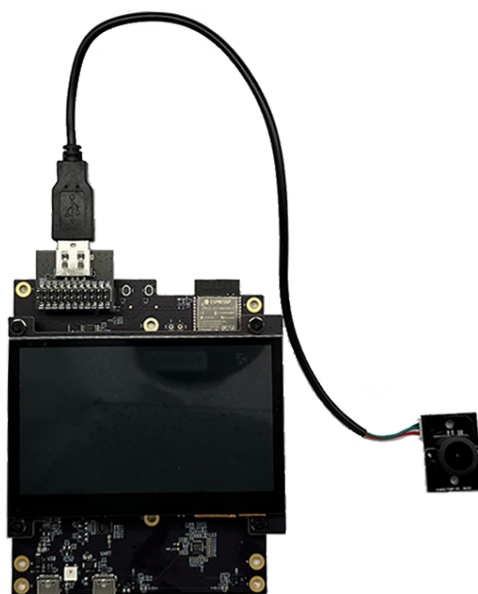


Fig. 11: USB Type-A Adapter v1.1 - Connected to USB Devices (Click to Enlarge)

## Hardware Setup

Prepare the board for loading of the first sample application:

1. Connect the LCD subboard to the **LCD Board Connector**.
2. Plug in the USB cable to connect the PC with the board.
3. The LCD lights up and you can start to interact with it.

Now the board is ready for software setup.

## Software Setup

The development framework of ESP32-S3-LCD-EV-Board is [ESP-IDF](#). ESP-IDF is a FreeRTOS-based SoC development framework with a bunch of components including LCD, ADC, RMT, and SPI. An example is provided for ESP32-S3-LCD-EV-Board under the folder [Examples](#). You can configure project options by entering `idf.py menuconfig` in the example directory.

To learn how to quickly set up your development environment, please go to [Get Started > Installation](#).

---

### Note:

- ESP-IDF v5.1.2 is required. It is recommended to use the latest release/v5.1 branch for development.
  - For more information about developing LCD applications, please refer to [ESP-IoT-Solution Programming Guide](#).
- 

## 4.1.3 Hardware Reference

This section provides more detailed information about the board's hardware.

### GPIO Allocation

The table below provides the allocation of GPIOs exposed on terminals of ESP32-S3-WROOM-1 module to control specific components or functions of the board.

Table 1: ESP32-S3-WROOM-1 GPIO Allocation

Pin	Pin Name	Function
1	GND	GND
2	3V3	Power supply
3	EN	RESET
4	IO4	LED
5	IO5	I2S_MCLK
6	IO6	I2S_CODEC_DSDIN
7	IO7	I2S_LRCK
8	IO15	I2S_ADC_SDOOUT
9	IO16	I2S_SCLK
10	IO17	LCD_DE
11	IO18	LCD_DATA7
12	IO8	LCD_DATA6
13	IO19	USB_D-
14	IO20	USB_D+
15	IO3	LCD_VSYNC
16	IO46	LCD_HSYNC
17	IO9	LCD_PCLK
18	IO10	LCD_DATA0

continues on next page

Table 1 – continued from previous page

Pin	Pin Name	Function
19	IO11	LCD_DATA1
20	IO12	LCD_DATA2
21	IO13	LCD_DATA3
22	IO14	LCD_DATA4
23	IO21	LCD_DATA5
24	IO47	I2C_SDA
25	IO48	I2C_SCL
26	IO45	LCD_DATA8
27	IO0	BOOT
28	IO35	No connection
29	IO36	No connection
30	IO37	No connection
31	IO38	LCD_DATA9
32	IO39	LCD_DATA10
33	IO40	LCD_DATA11
34	IO41	LCD_DATA12
35	IO42	LCD_DATA13
36	RXD0	UART_RXD0
37	TXD0	UART_TXD0
38	IO2	LCD_DATA14
39	IO1	LCD_DATA15
40	GND	GND
41	EPAD	GND

The pins on the I/O expander connected to the module can be used for different functions.

Table 2: I/O Expander GPIO Allocation

IO Expander Pin	Pin Name	Function
1	A0	GND
2	A1	GND
3	A2	GND
4	P0	PA_CTRL
5	P1	LCD_SPI_CS
6	P2	LCD_SPI_SCK
7	P3	LCD_SPI_MOSI
8	GND	GND
9	P4	Free
10	P5	Free
11	P6	Free
12	P7	Free
13	INT	No connection
14	SCL	I2C_SCL
15	SDA	I2C_SDA
16	VCC	Supply voltage

## Power Distribution

**Power Supply over USB** There are two ways to power the development board via USB power port.

- Via USB-to-USB port
- Via USB-to-UART port



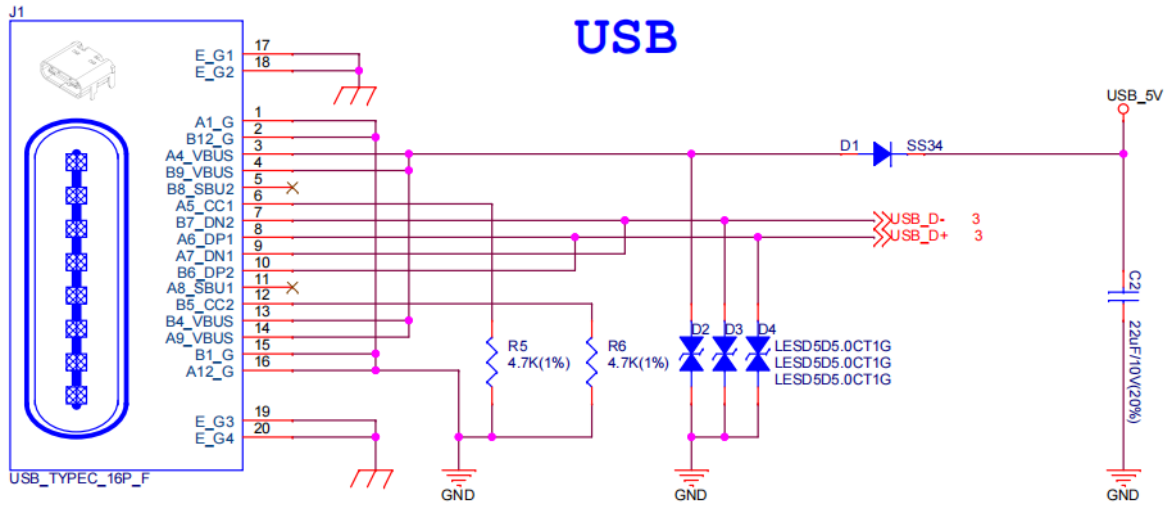


Fig. 12: ESP32-S3-LCD-EV-Board - USB-to-USB Power Supply

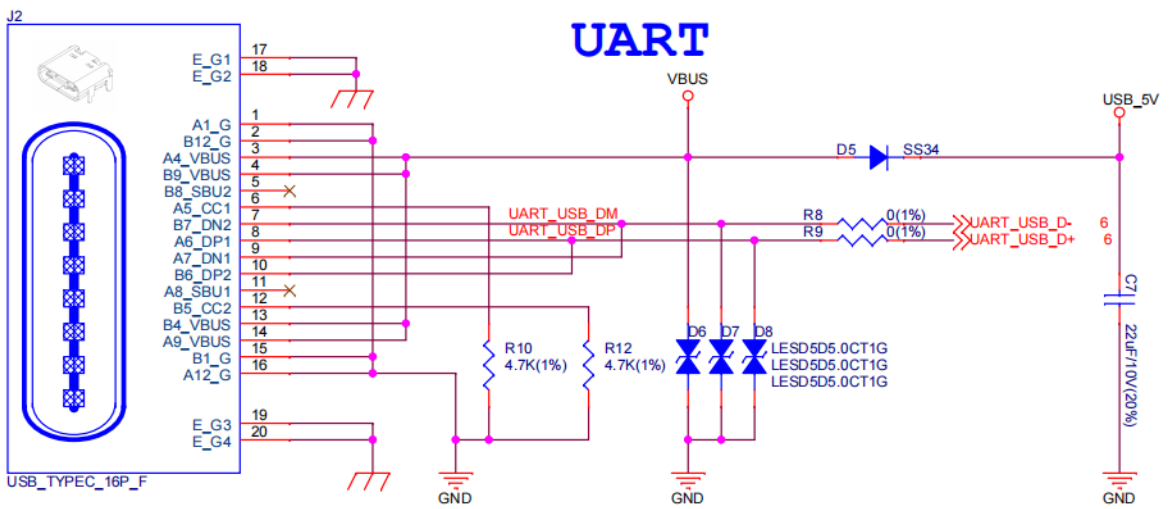


Fig. 13: ESP32-S3-LCD-EV-Board - USB-to-UART Power Supply



**Independent Audio and Digital Power Supply** ESP32-S3-LCD-EV-Board features independent power supplies for the audio components and ESP module. This should reduce noise in the audio signal from digital components and improve the overall performance of the components.

**SYS VDD**

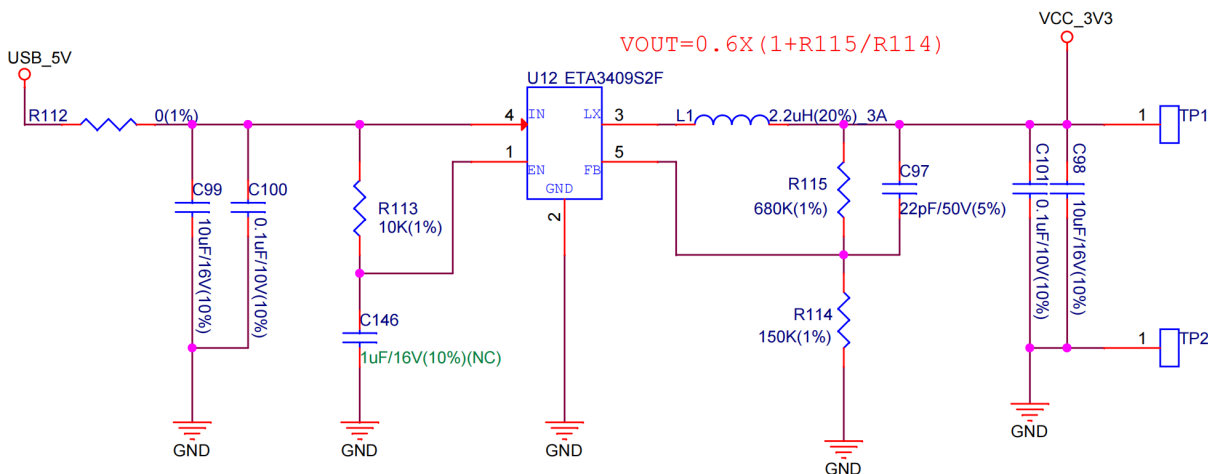


Fig. 14: ESP32-S3-LCD-EV-Board - Digital Power Supply

**Audio VDD**

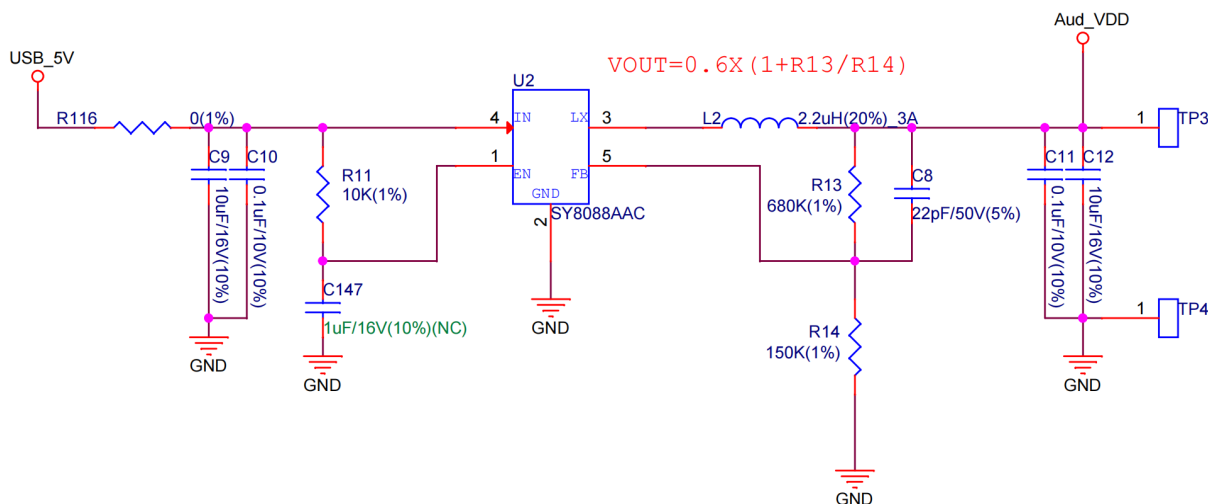


Fig. 15: ESP32-S3-LCD-EV-Board - Audio Power Supply

**AEC Path**

The acoustic echo cancellation (AEC) path provides reference signals for AEC algorithm.

ESP32-S3-LCD-EV-Board provides two compatible echo reference signal source designs. One is Codec (ES8311) DAC output (DAC\_AOUTLP/DAC\_AOUTLP), the other is PA (NS4150) output (PA\_OUT+/PA\_OUT+). The former is a default and the recommended selection. Resistors R54 and R56 shown in the figure below should not be installed.

The echo reference signal is collected by ADC\_MIC3P/ADC\_MIC3N of ADC (ES7210) and then sent back to ESP32-S3 for AEC algorithm.

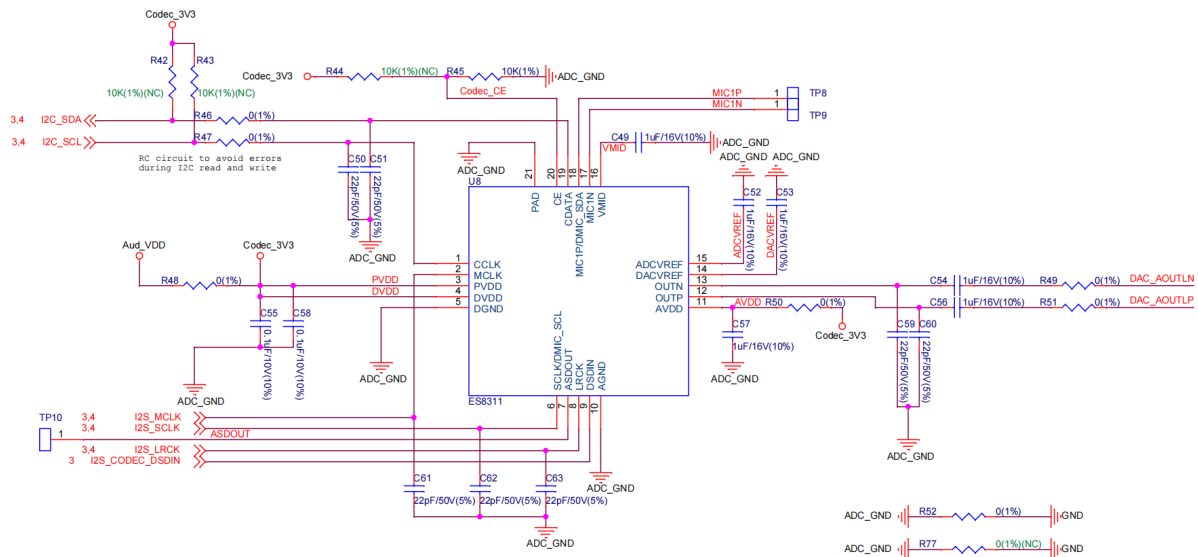


Fig. 16: ESP32-S3-LCD-EV-Board - AEC Codec DAC Output (Click to Enlarge)

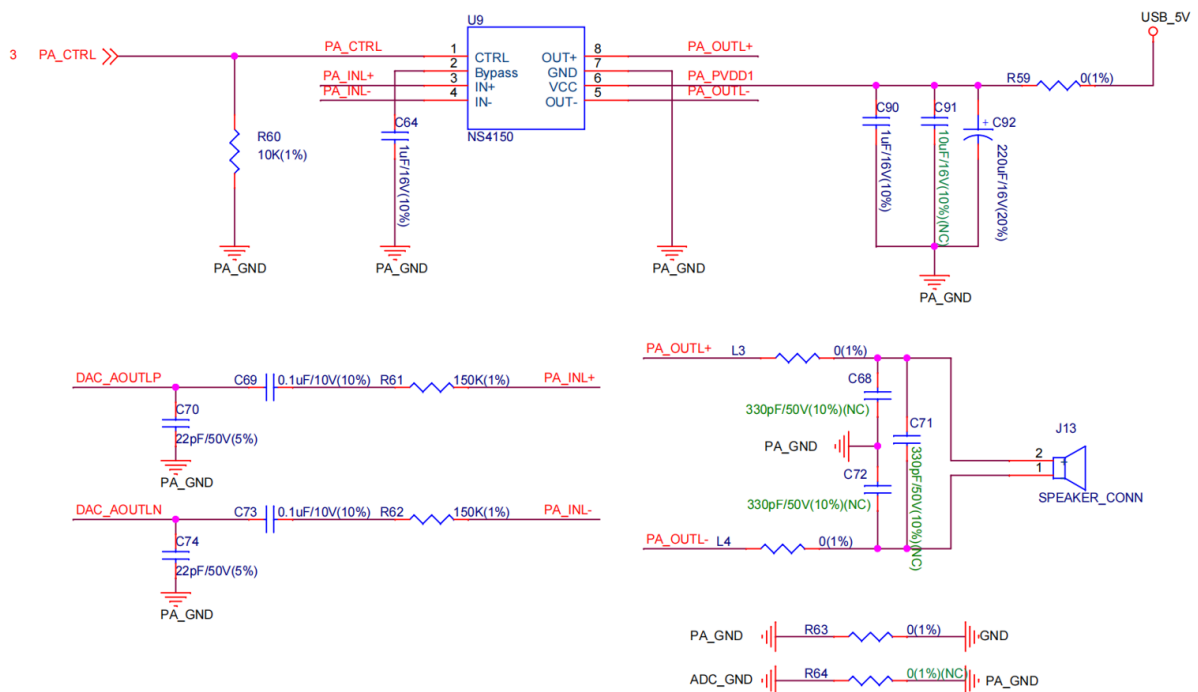


Fig. 17: SP32-S3-LCD-EV-Board - AEC PA Output (Click to Enlarge)

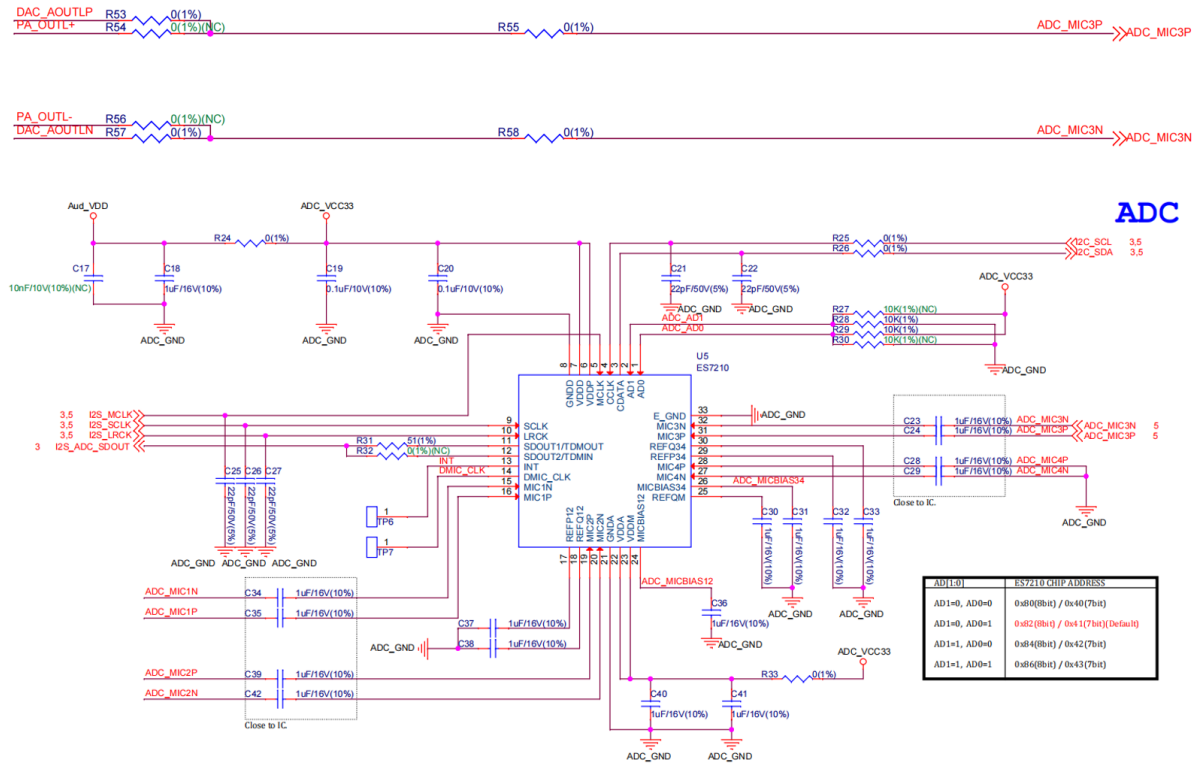


Fig. 18: ESP32-S3-LCD-EV-Board - AEC Reference Signal Collection (Click to Enlarge)

## Hardware Setup Options

**Automatic Download** There are two ways to put the development board into the download mode.

- Press the Boot and Reset buttons. Release the Reset button first and then the Boot button.
- The download is performed automatically by the software. The software uses the DTR and RTS signals from the serial port to control the status of the EN and IO0 pins.

## 4.1.4 Hardware Revision Details

### ESP32-S3-LCD-EV-Board v1.5

- The following pins are re-allocated for the ESP32-S3-WROOM-1-N16R16V module:
  - I2C\_SCL: from IO18 to IO48
  - I2C\_SDA: from IO8 to IO47
  - LCD\_DATA6: from IO47 to IO8
  - LCD\_DATA7: from IO48 to IO18
- Level-shifting circuits are added to IO47 and IO48 for converting the 1.8 V logic level to a 3.3 V logic level.

### ESP32-S3-LCD-EV-Board v1.4

- *Initial Release*

## 4.1.5 Sample Request

This development board with the USB Type-A adapter is suitable for evaluating Espressif’s high-performance **HMI Smart Displays Solution**. For placing orders, please proceed to the Espressif [Online Shop](#).

## 4.1.6 Related Documents

- [ESP32-S3 Datasheet](#)
- [ESP32-S3-WROOM-1 Datasheet](#)
- [ESP Product Selector](#)
- [ESP32-S3-LCD-EV-Board-MB Schematics](#)
- [ESP32-S3-LCD-EV-Board-MB PCB Layout](#)
- [ESP32-S3-LCD-EV-Board-SUB1 Schematics](#)
- [ESP32-S3-LCD-EV-Board-SUB1 PCB Layout](#)
- [ESP32-S3-LCD-EV-Board-SUB2 Schematics](#)
- [ESP32-S3-LCD-EV-Board-SUB2 PCB Layout](#)
- [3.95\\_480x480\\_RGB\\_Display Specification](#)
- [ESP32-S3-LCD-EV-Board-SUB3 Schematics](#)
- [ESP32-S3-LCD-EV-Board-SUB3 PCB Layout](#)
- [ESP32-S3-LCD-EV-Board USB Adapter Schematics](#)
- [ESP32-S3-LCD-EV-Board USB Adapter PCB Layout](#)
- [TCA9554 Datasheet](#)
- [4.3\\_800x480\\_RGB\\_Display Specification](#)

For further design documentation for the board, please contact us at [sales@espressif.com](mailto:sales@espressif.com).

## 4.2 ESP32-S3-LCD-EV-Board v1.4

---

**Note:** Please check the version number of your ESP32-S3-LCD-EV-Board-MB indicated by the silk marking on the back. For boards of the v1.4 and below versions, please refer to this user guide. For boards of the v1.5 version, please refer to [ESP32-S3-LCD-EV-Board v1.5](#).

Unless otherwise stated, the ESP32-S3-LCD-EV-Board in this document refers to both **ESP32-S3-LCD-EV-Board** and **ESP32-S3-LCD-EV-Board-2**.

---

This user guide will help you get started with ESP32-S3-LCD-EV-Board and will also provide more in-depth information.

The document consists of the following sections:

- [Board Overview](#): Overview of the board hardware/software.
- [Start Application Development](#): How to set up hardware/software to develop applications.
- [Hardware Reference](#): More detailed information about the board's hardware.
- [Hardware Revision Details](#): This is the first revision of this board released.
- [Sample Request](#): How to get a sample board.
- [Related Documents](#): Links to related documentation.

### 4.2.1 Board Overview

ESP32-S3-LCD-EV-Board is an ESP32-S3-based development board with a touchscreen. Together with different subboards, ESP32-S3-LCD-EV-Board can drive LCDs with IIC, SPI, 8080, and RGB interfaces. It houses dual array microphones, supports voice recognition and near/far-field voice wake-up, and features screen and voice interaction. The board caters to development needs for touchscreen products with different resolutions and interfaces.

Currently, we have two boards available:

- ESP32-S3-LCD-EV-Board with 480x480 LCD
- ESP32-S3-LCD-EV-Board-2 with 800x480 LCD



Fig. 19: ESP32-S3-LCD-EV-Board with 480x480 LCD



Fig. 20: ESP32-S3-LCD-EV-Board-2 with 800x480 LCD

**Feature List**

The main features of the board are listed below:

- **Module Embedded:** ESP32-S3-WROOM-1 module with 16 MB flash and 8 MB PSRAM
- **Display:** Compatibility with various subboards and support for displays with RGB, 8080, SPI, and I2C interfaces. Please refer to [LCD Subboards](#) for more information
- **Audio:** Audio Codec + ADC amplifier and dual microphones
- **USB:** USB to serial port chip plus USB Type-C download/debug

**Block Diagram**

The block diagram below shows the components of ESP32-S3-LCD-EV-Board and their interconnections.

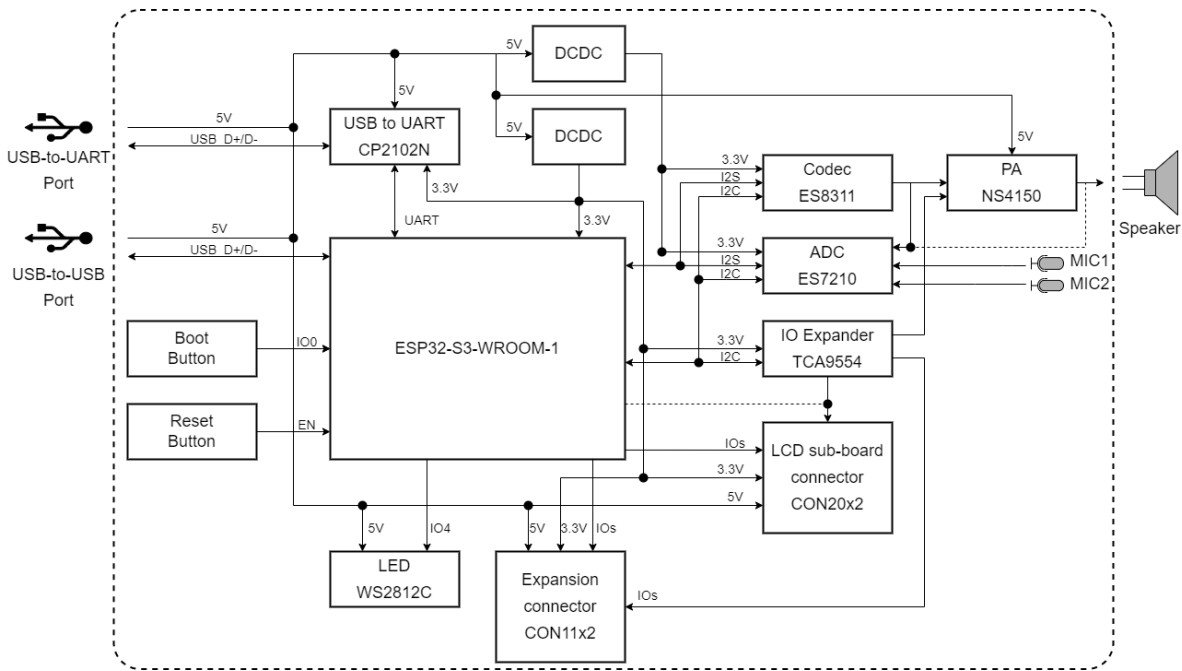


Fig. 21: ESP32-S3-LCD-EV-Board Block Diagram (Click to Enlarge)

**Description of Components**

The ESP32-S3-LCD-EV-Board development board consists of a mainboard and a subboard (see [LCD Subboards](#) for options). Additionally, it allows for a selection of a USB Type-A adapter.

**Mainboard** **ESP32-S3-LCD-EV-Board-MB** is the core of the kit, which integrates the ESP32-S3-WROOM-1 module and provides ports for connection to the LCD subboard.

The key components of the board are described in a counter-clockwise direction.

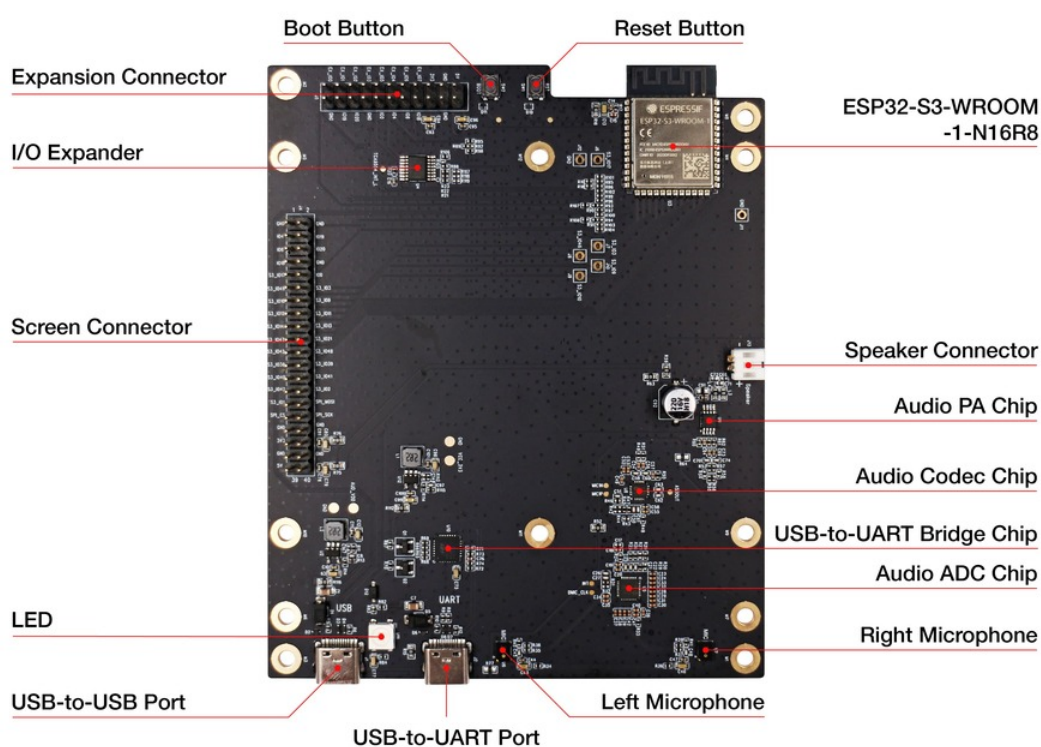


Fig. 22: ESP32-S3-LCD-EV-Board-MB - Front (Click to Enlarge)



Key Component	Description
ESP32-S3-WROOM-1-N16R8 Module	ESP32-S3-WROOM-1-N16R8 is a generic Wi-Fi + Bluetooth LE MCU module that is built around the ESP32-S3 series of SoCs. It is integrated with 16 MB flash and 8 MB PSRAM. On top of a rich set of peripherals, the acceleration for neural network computing and signal processing workloads provided by the SoC makes the module an ideal choice for a wide variety of application scenarios related to Artificial Intelligence of Things (AIoT).
Reset Button	Press this button to reset the system.
Boot Button	Holding down the Boot key and momentarily pressing the Reset key initiates the firmware upload mode. Then you can upload firmware through the serial port or USB.
Expansion Connector	Provides connections for all I/O expander pins, all power supply pins, and some module pins.
I/O Expander	<a href="#">TCA9554</a> is a device that provides 8 bits of general purpose parallel I/O expansion. It controls the I/O mode and level via two-line bidirectional I2C bus, offering a simple solution when additional I/Os are needed.
LCD Board Connector	Three different types of LCD subboards can be connected via connectors with 2.54 mm pitch.
LED	Supports configuring the RGB LED display to indicate status or behavior.
USB-to-USB Port	Provides power to the entire system (choose either USB-to-USB or USB-to-UART port). It is recommended to use at least a 5V/2A power adapter to ensure stable power supply. Used for USB communication between the PC and the ESP32-S3-WROOM-1 module.
USB-to-UART Port	Provides power to the entire system (choose either USB-to-USB or USB-to-UART port). It is recommended to use at least a 5V/2A power adapter to ensure stable power supply. Used for serial communication between the PC side and the ESP32-S3-WROOM-1 module.
Left Microphone	On-board microphone, connected to Audio ADC Chip.
Right Microphone	On-board microphone, connected to Audio ADC Chip.
Audio ADC Chip	<a href="#">ES7210</a> is a high performance, low power 4-channel audio ADC for applications of microphone arrays. Featuring Acoustic Echo Cancellation (AEC), it is an ideal choice for music and voice applications.
USB-to-UART Bridge Controller	CP2102N, the single-chip USB-to-UART bridge controller, provides up to 3 Mbps connection for software download and debugging.
Audio Codec Chip	<a href="#">ES8311</a> is a low-power mono audio codec that includes a single-channel ADC and DAC, low noise pre-amplifier, headphone driver, digital audio, analog mixing, and gain function. It connects to the ESP32-S3-WROOM-1 module via I2S and I2C buses to process audio through hardware instead of the audio application.
Audio Amplifier	NS4150 is a low EMI, 3 W mono class D audio amplifier used to drive speakers by amplifying the audio signal from the audio codec chip.
Speaker Connector	External speaker playback is possible with the help of the audio amplifier.

**LCD Subboards** The mainboard can be used together with three different kinds of subboards:

Board Name	Display (Inch)	Resolution (Px)	LCD Driver (Interface)	Touch Driver	Available Boards	Development
ESP32-S3-LCD-EV-Board-SUB1 v1.0	0.96	128 x 64	<a href="#">SSD1315</a> (I2C)	Not Available	Not Available	
	2.40	320 x 240	<a href="#">ST7789V</a> (SPI)	<a href="#">XTP2046</a>	Not Available	
ESP32-S3-LCD-EV-Board-SUB2 v1.4	3.50	480 x 320	<a href="#">ST7796S</a> (8080)	<a href="#">GT911</a>	Not Available	
	3.95	480 x 480	<a href="#">GC9503CV</a> (RGB)	<a href="#">FT5x06</a>	<a href="#">ESP32-S3-LCD-EV-Board</a>	
ESP32-S3-LCD-EV-Board-SUB3 v1.3	4.30	800 x 480	<a href="#">ST7262E43</a> (RGB)	<a href="#">GT1151</a>	<a href="#">ESP32-S3-LCD-EV-Board-2</a>	

- The **ESP32-S3-LCD-EV-Board-SUB1** subboard has two interfaces, which support connection to a 2.4-inch display with the SPI interface or a 0.96-inch display with the I2C interface. This board is not yet configured, so it is not further explained here.
- The **ESP32-S3-LCD-EV-Board-SUB2** subboard has two interfaces, which support connection to a display with the RGB interface or a display with the 8080 parallel interface. The current subboard has a 3.95-inch touchscreen with the RGB565 interface and 480x480 resolution. The LCD driver IC is GC9503CV and the touchscreen driver IC is FT5x06.



Fig. 23: ESP32-S3-LCD-EV-Board-SUB2 - Front (Click to Enlarge)

- The **ESP32-S3-LCD-EV-Board-SUB3** subboard only supports a 4.3-inch touchscreen with the RGB565



Fig. 24: ESP32-S3-LCD-EV-Board-SUB2 - Back (Click to Enlarge)

interface and 800x480 resolution. The LCD driver IC is ST7262E43 and the touchscreen driver IC is GT1151.

**USB Type-A Adapter** With the USB Type-A adapter, the mainboard can serve as a USB host for connection to USB devices.

## 4.2.2 Start Application Development

This section provides instructions on how to do hardware and software setup and flash firmware onto the board to develop your own application.

### Required Hardware

- 1 x ESP32-S3-LCD-EV-Board-MB
- 1 x LCD subboard
- 1 x USB 2.0 cable (standard Type-A to Type-C)
- 1 x PC (Windows, Linux, or macOS)

**Note:** Please make sure to use the appropriate USB cable. Some cables can only be used for charging, not for data transfer or program flashing.

### Optional Hardware

- 1 x Speaker



Fig. 25: ESP32-S3-LCD-EV-Board-SUB3 - Front (Click to Enlarge)

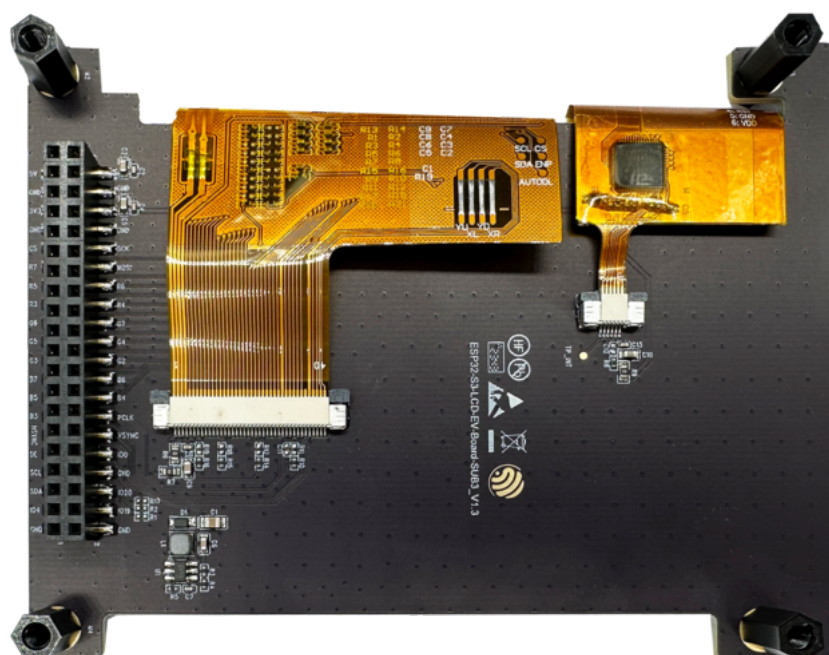


Fig. 26: ESP32-S3-LCD-EV-Board-SUB3 - Back (Click to Enlarge)

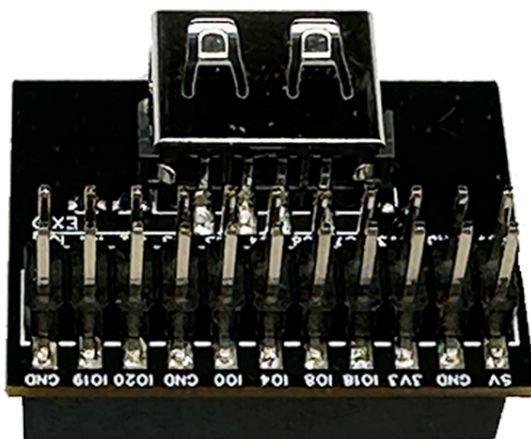


Fig. 27: USB Type-A Adapter v1.1 - Front (Click to Enlarge)

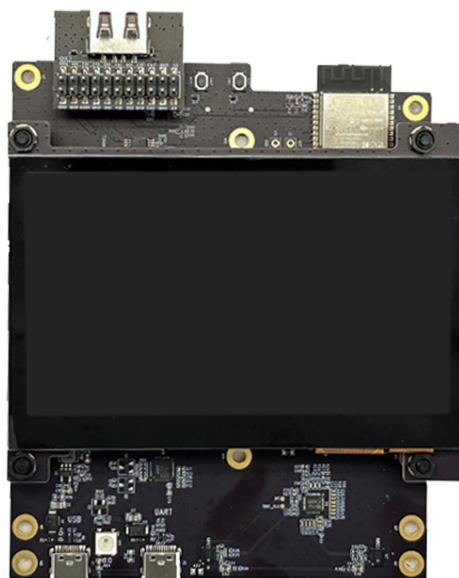


Fig. 28: USB Type-A Adapter v1.1 - Connected to the Mainboard (Click to Enlarge)

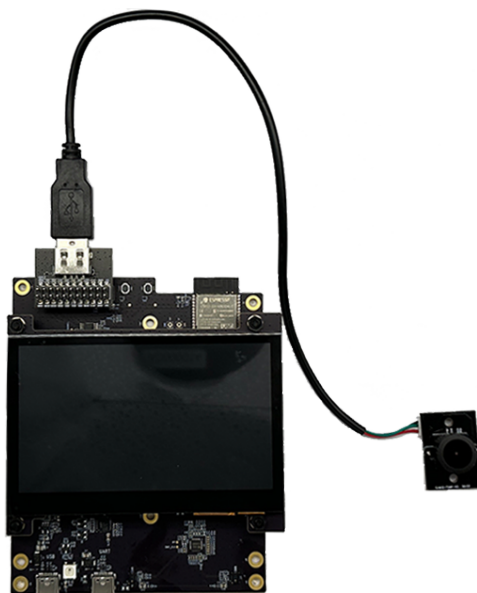


Fig. 29: USB Type-A Adapter v1.1 - Connected to USB Devices (Click to Enlarge)

### Hardware Setup

Prepare the board for loading of the first sample application:

1. Connect the LCD subboard to the **LCD Board Connector**.
2. Plug in the USB cable to connect the PC with the board.
3. The LCD lights up and you can start to interact with it.

Now the board is ready for software setup.

### Software Setup

The development framework of ESP32-S3-LCD-EV-Board is [ESP-IDF](#). ESP-IDF is a FreeRTOS-based SoC development framework with a bunch of components including LCD, ADC, RMT, and SPI. An example is provided for ESP32-S3-LCD-EV-Board under the folder [Examples](#) . You can configure project options by entering `idf.py menuconfig` in the example directory.

To learn how to quickly set up your development environment, please go to [Get Started > Installation](#).

---

#### Note:

- ESP-IDF v5.1.2 is required. It is recommended to use the latest release/v5.1 branch for development.
  - For more information about developing LCD applications, please refer to [ESP-IoT-Solution Programming Guide](#).
- 

### 4.2.3 Hardware Reference

This section provides more detailed information about the board' s hardware.



## GPIO Allocation

The table below provides the allocation of GPIOs exposed on terminals of ESP32-S3-WROOM-1 module to control specific components or functions of the board.

Table 3: ESP32-S3-WROOM-1 GPIO Allocation

Pin	Pin Name	Function
1	GND	GND
2	3V3	Power supply
3	EN	RESET
4	IO4	LED
5	IO5	I2S_MCLK
6	IO6	I2S_CODEC_DSDIN
7	IO7	I2S_LRCK
8	IO15	I2S_ADC_SDOOUT
9	IO16	I2S_SCLK
10	IO17	LCD_DE
11	IO18	I2C_SCL
12	IO8	I2C_SDA
13	IO19	USB_D-
14	IO20	USB_D+
15	IO3	LCD_VSYNC
16	IO46	LCD_HSYNC
17	IO9	LCD_PCLK
18	IO10	LCD_DATA0
19	IO11	LCD_DATA1
20	IO12	LCD_DATA2
21	IO13	LCD_DATA3
22	IO14	LCD_DATA4
23	IO21	LCD_DATA5
24	IO47	LCD_DATA6
25	IO48	LCD_DATA7
26	IO45	LCD_DATA8
27	IO0	BOOT
28	IO35	No connection
29	IO36	No connection
30	IO37	No connection
31	IO38	LCD_DATA9
32	IO39	LCD_DATA10
33	IO40	LCD_DATA11
34	IO41	LCD_DATA12
35	IO42	LCD_DATA13
36	RXD0	UART_RXD0
37	TXD0	UART_TXD0
38	IO2	LCD_DATA14
39	IO1	LCD_DATA15
40	GND	GND
41	EPAD	GND

The pins on the I/O expander connected to the module can be used for different functions.

Table 4: I/O Expander GPIO Allocation

IO Expander Pin	Pin Name	Function
1	A0	GND
2	A1	GND
3	A2	GND
4	P0	PA_CTRL
5	P1	LCD_SPI_CS
6	P2	LCD_SPI_SCK
7	P3	LCD_SPI_MOSI
8	GND	GND
9	P4	Free
10	P5	Free
11	P6	Free
12	P7	Free
13	INT	No connection
14	SCL	I2C_SCL
15	SDA	I2C_SDA
16	VCC	Supply voltage

**Power Distribution**

**Power Supply over USB** There are two ways to power the development board via USB power port.

- Via USB-to-USB port

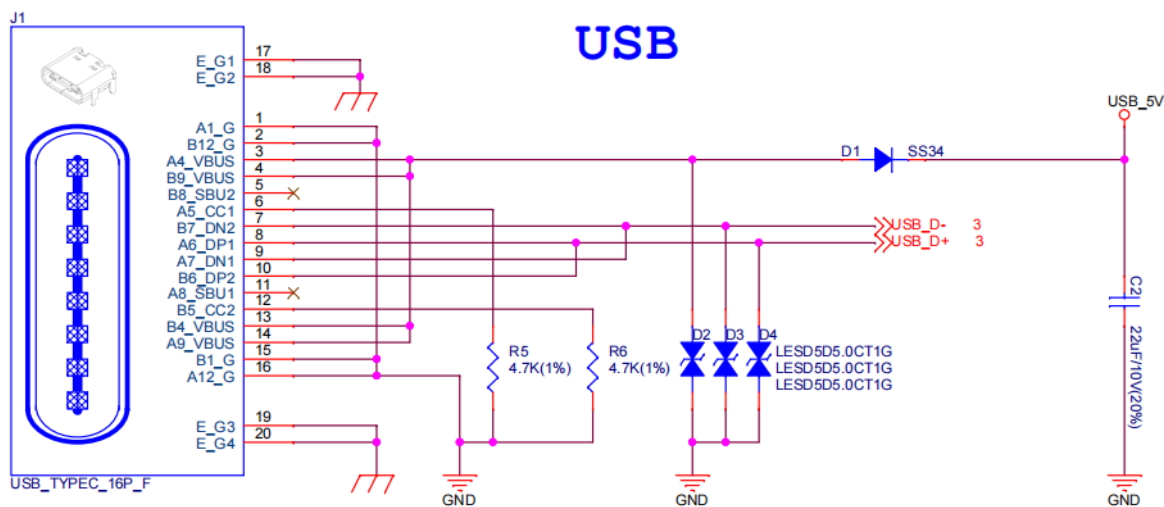


Fig. 30: ESP32-S3-LCD-EV-Board - USB-to-USB Power Supply

- Via USB-to-UART port

**Independent Audio and Digital Power Supply** ESP32-S3-LCD-EV-Board features independent power supplies for the audio components and ESP module. This should reduce noise in the audio signal from digital components and improve the overall performance of the components.

**AEC Path**

The acoustic echo cancellation (AEC) path provides reference signals for AEC algorithm.



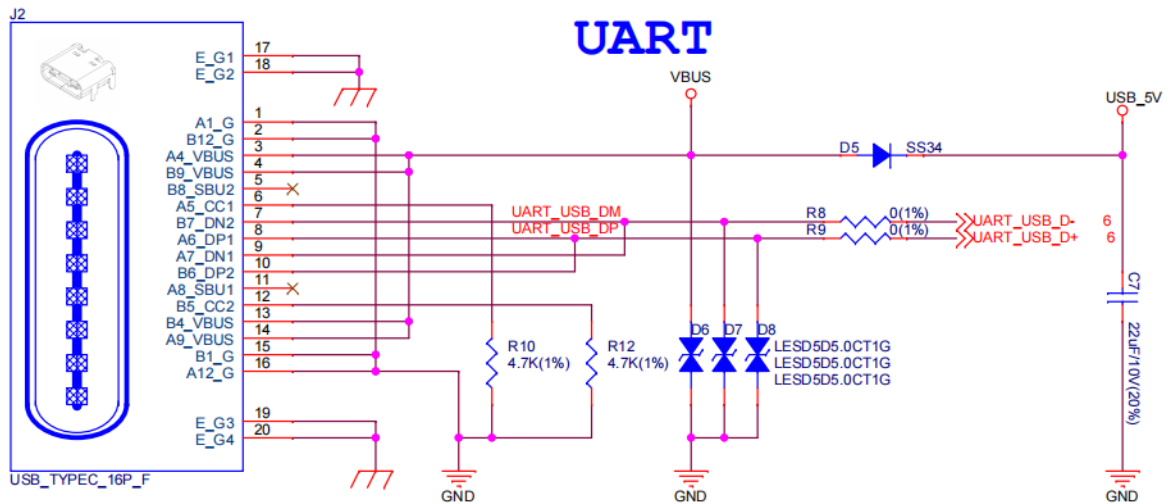


Fig. 31: ESP32-S3-LCD-EV-Board - USB-to-UART Power Supply

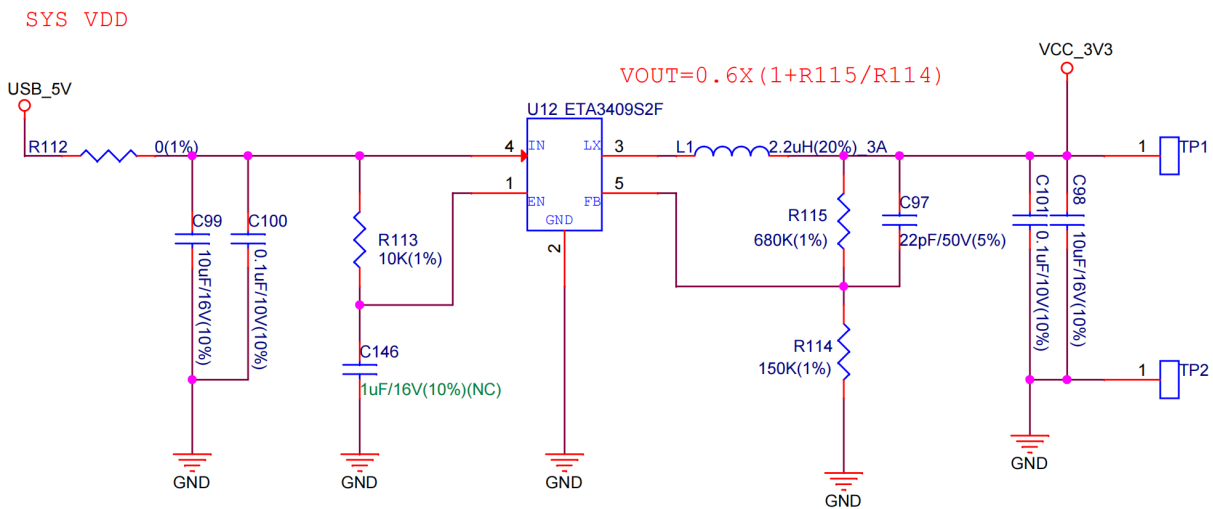


Fig. 32: ESP32-S3-LCD-EV-Board - Digital Power Supply

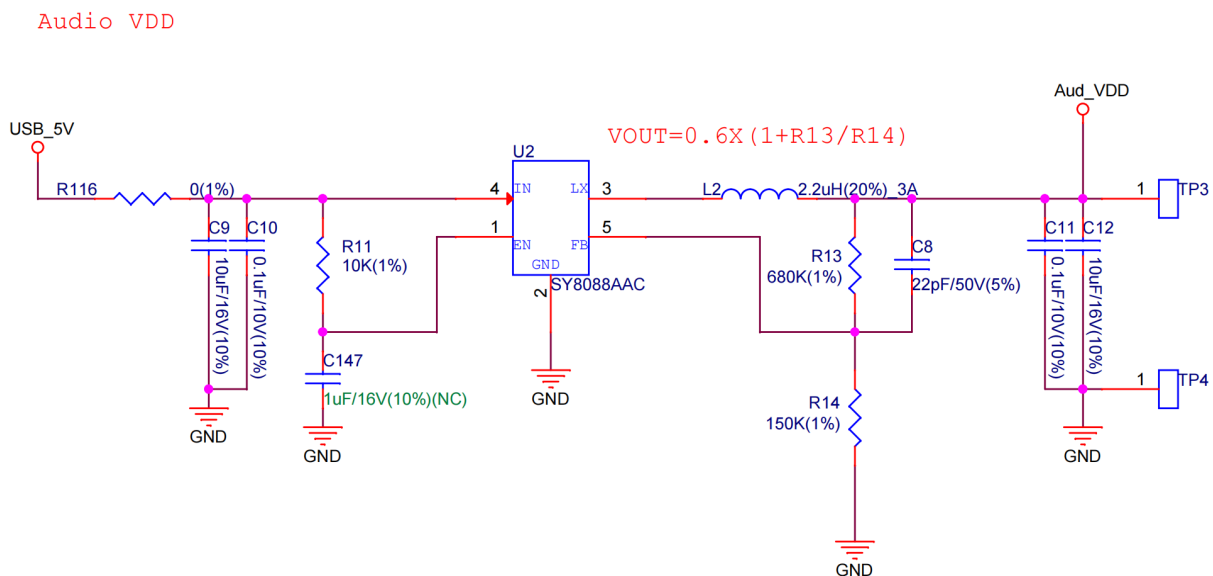


Fig. 33: ESP32-S3-LCD-EV-Board - Audio Power Supply

ESP32-S3-LCD-EV-Board provides two compatible echo reference signal source designs. One is Codec (ES8311) DAC output (DAC\_AOUTLP/DAC\_AOUTLN), the other is PA (NS4150) output (PA\_OUT+/PA\_OUT-). The former is a default and the recommended selection. Resistors R54 and R56 shown in the figure below should not be installed.

The echo reference signal is collected by ADC\_MIC3P/ADC\_MIC3N of ADC (ES7210) and then sent back to ESP32-S3 for AEC algorithm.

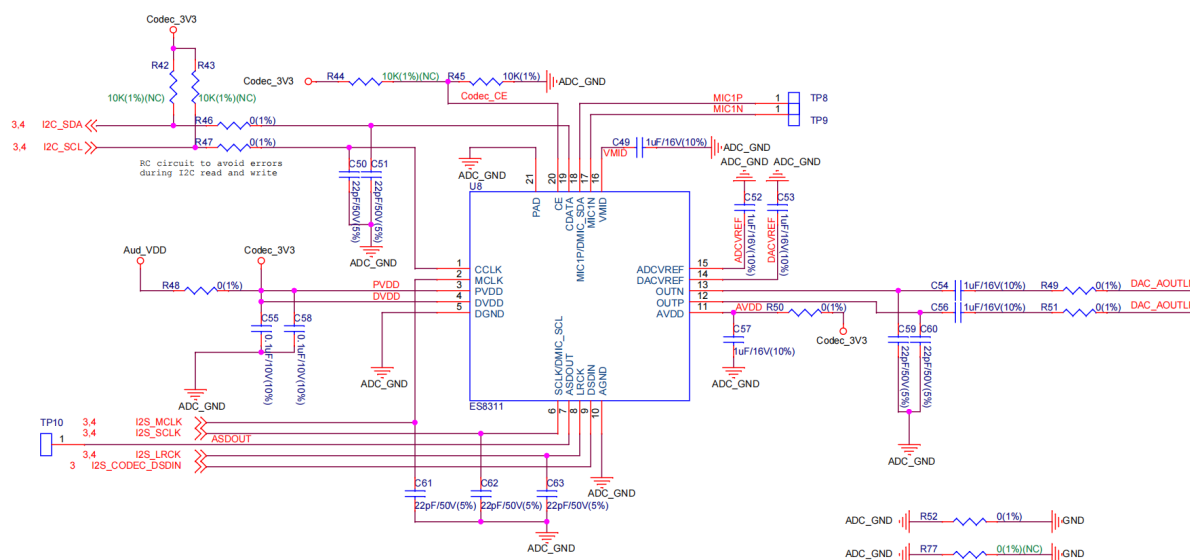


Fig. 34: ESP32-S3-LCD-EV-Board - AEC Codec DAC Output (Click to Enlarge)

## Hardware Setup Options

**Automatic Download** There are two ways to put the development board into the download mode.

- Press the Boot and Reset buttons. Release the Reset button first and then the Boot button.
- The download is performed automatically by the software. The software uses the DTR and RTS signals from the serial port to control the status of the EN and IO0 pins.

## 4.2.4 Hardware Revision Details

No previous revisions.

## 4.2.5 Sample Request

This development board with the USB Type-A adapter is suitable for evaluating Espressif's high-performance [HMI Smart Displays Solution](#). For placing orders, please proceed to the Espressif [Online Shop](#).

## 4.2.6 Related Documents

- [ESP32-S3 Datasheet](#)
- [ESP32-S3-WROOM-1 Datasheet](#)
- [ESP Product Selector](#)
- [ESP32-S3-LCD-EV-Board-MB Schematics](#)
- [ESP32-S3-LCD-EV-Board-MB PCB Layout](#)
- [ESP32-S3-LCD-EV-Board-SUB1 Schematics](#)
- [ESP32-S3-LCD-EV-Board-SUB1 PCB Layout](#)
- [ESP32-S3-LCD-EV-Board-SUB2 Schematics](#)

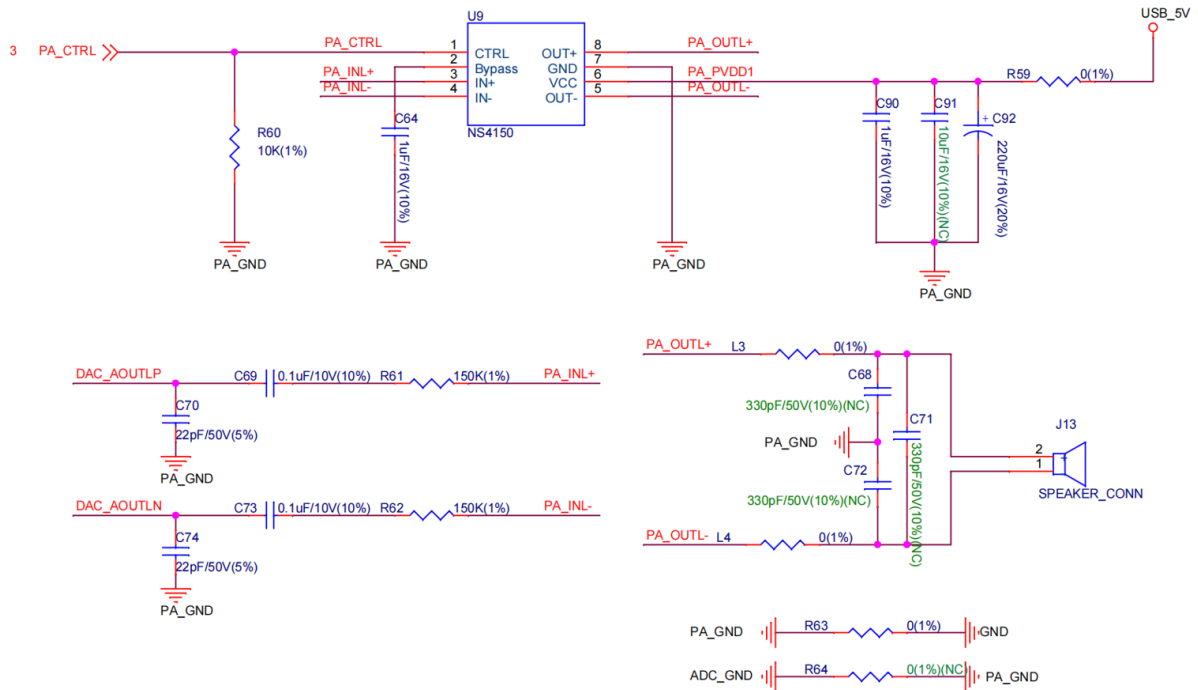


Fig. 35: SP32-S3-LCD-Ev-Board - AEC PA Output (Click to Enlarge)

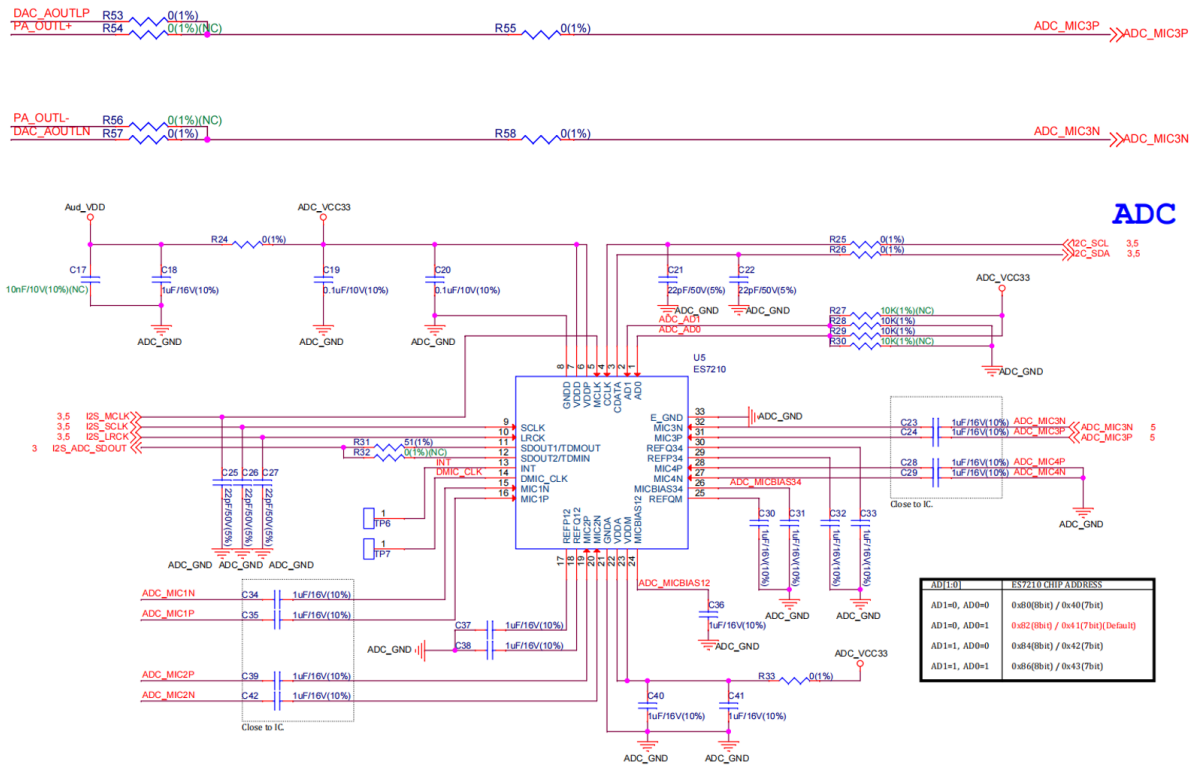


Fig. 36: ESP32-S3-LCD-EV-Board - AEC Reference Signal Collection (Click to Enlarge)

- [ESP32-S3-LCD-EV-Board-SUB2 PCB Layout](#)
- [ESP32-S3-LCD-EV-Board-SUB3 Schematics](#)
- [ESP32-S3-LCD-EV-Board-SUB3 PCB Layout](#)
- [ESP32-S3-LCD-EV-Board USB Adapter Schematics](#)
- [ESP32-S3-LCD-EV-Board USB Adapter PCB Layout](#)
- [TCA9554 Datasheet](#)

For further design documentation for the board, please contact us at [sales@espressif.com](mailto:sales@espressif.com).



# Chapter 5

## ESP32-S3-USB-Bridge

ESP32-S3-USB-Bridge can act as an alternative to USB-to-UART chips like CP210x or debuggers by establishing a bridge between the computer and existing microcontrollers.

### 5.1 ESP32-S3-USB-Bridge

This user guide will help you get started with ESP32-S3-USB-Bridge and will also provide more in-depth information.

The document consists of the following sections:

- *Board Overview*: Overview of the board hardware/software
- *Start Application Development*: How to set up hardware/software to develop applications
- *Hardware Reference*: More detailed information about the board's hardware
- *Hardware Revision Details*: This is the first revision of this board released
- *Sample Request*: How to get a sample board
- *Related Documents*: Links to related documentation

#### 5.1.1 Board Overview

ESP32-S3-USB-Bridge is a development board based on ESP32-S3.

- The [usb\\_wireless\\_bridge](#) example can be used to establish a bridge between a computer and the target chip. It can emulate a USB composite device and supports multiple functions:
  - **USB-to-UART Bridge**: realizes serial data transmission and reception between the computer and the target chip.
  - **JTAG Adapter**: realizes duplex JTAG communication between the computer and the target chip.
  - **MSC Storage Device**: updates firmware by storing the UF2 firmware files in the USB storage device of the board.
  - **Wireless Bridge**: realizes wireless flashing and wireless serial data transmission and reception through ESP-NOW.

The development board also supports a USB Type-A interface that is convenient for replacement.

#### Feature List

The main features of the board are listed below:

- **Module Embedded**: ESP32-S3-MINI-1 module with 4 MB flash and 2 MB PSRAM
- **LED Indicators**: on-board WS2812 LED indicator with two serial data LED indicators

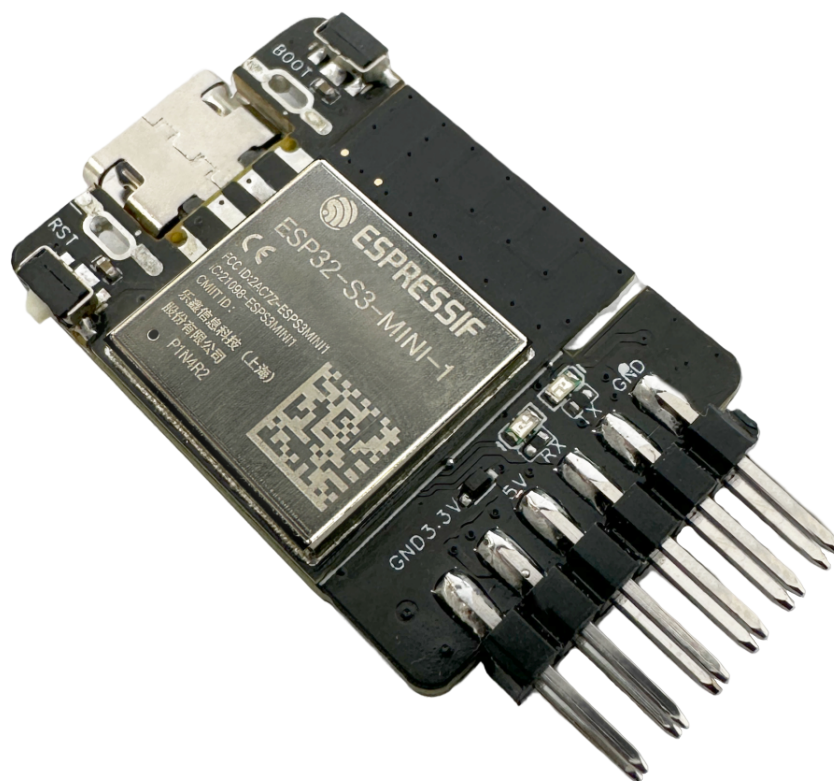


Fig. 1: ESP32-S3-USB-Bridge Type-C Connection

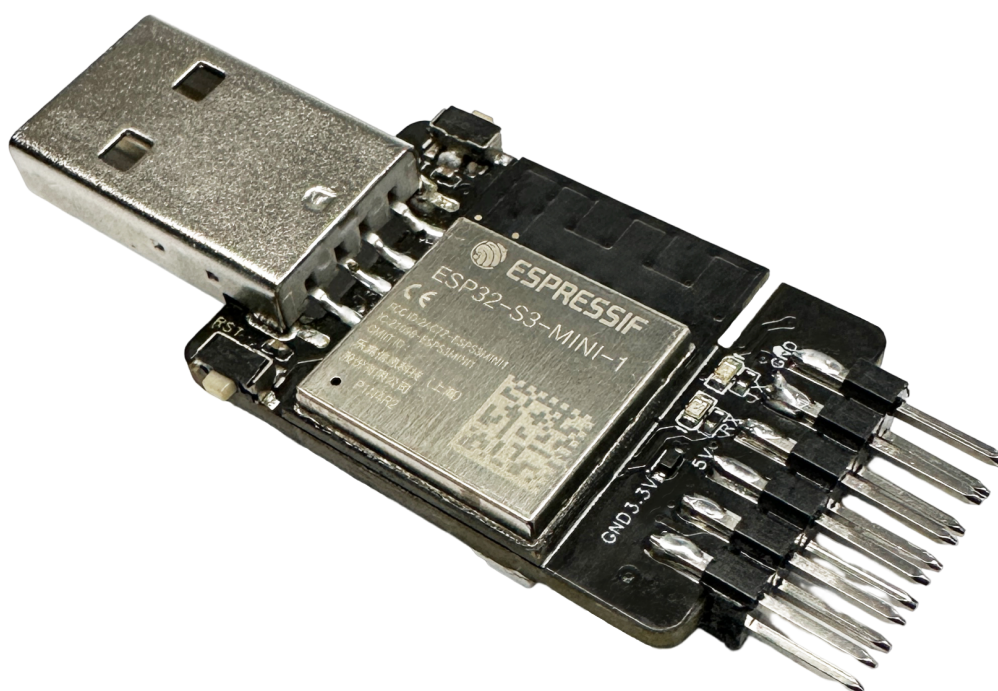


Fig. 2: ESP32-S3-USB-Bridge Type-A Connection

- **USB:** on-board USB-to-UART bridge and JTAG adapter, with support for USB download/debugging

### Block Diagram

The block diagram below shows the components of ESP32-S3-USB-Bridge and their interconnections.

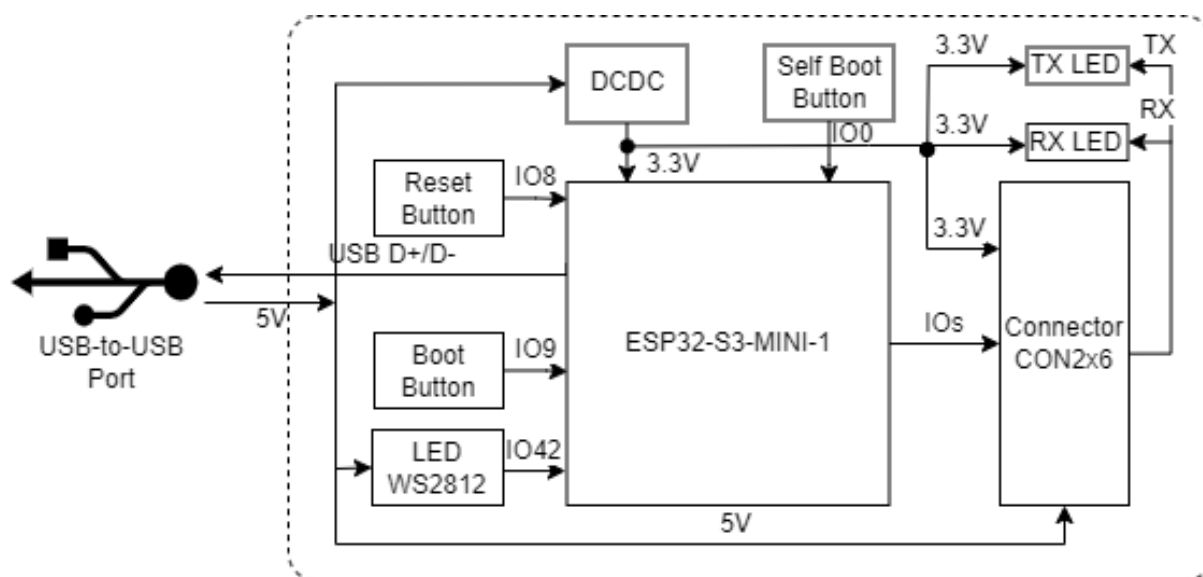


Fig. 3: ESP32-S3-USB-Bridge Block Diagram (Click to Enlarge)

### Description of Components

**ESP32-S3-USB-Bridge** is a rather compact development board, with a dimension of 23.3 mm \* 31.5 mm. It integrates the ESP32-S3-MINI-1 module and offers a 12-pin expansion connector.

The key components of the board are described in a clockwise direction.

Key Component	Description
ESP32-S3-MINI-1-N4R2 Module	ESP32-S3-MINI-1-N4R2 is a generic Wi-Fi + Bluetooth LE MCU module that is built around the ESP32-S3 series of SoCs. It is integrated with 4 MB flash and 2 MB PSRAM. On top of a rich set of peripherals, the acceleration for neural network computing and signal processing workloads provided by the SoC makes the module an ideal choice for a wide variety of application scenarios related to Artificial Intelligence of Things (AIoT).
TX/RX Indicator	Indicates transmit and receive status of serial data.
Expansion Connector	Provides connections for JTAG pins, serial pins, TX/RX pins, Boot pins, Reset pins, and power supply pins.
Reset Button	Connects the Reset button on the target chip and IO8 on the module. Press this button to reset the target chip.
USB-to-USB Port	Provides power to the entire system. Used for USB communication between the PC and the ESP32-S3-MINI-1 module.
Boot Button	Connects the Boot button on the target chip and IO9 on the module. Holding down the Boot button and momentarily pressing the Reset button initiates the firmware upload mode. Then you can upload firmware through the serial port or USB.





Fig. 4: ESP32-S3-USB-Bridge - Front (Click to Enlarge)

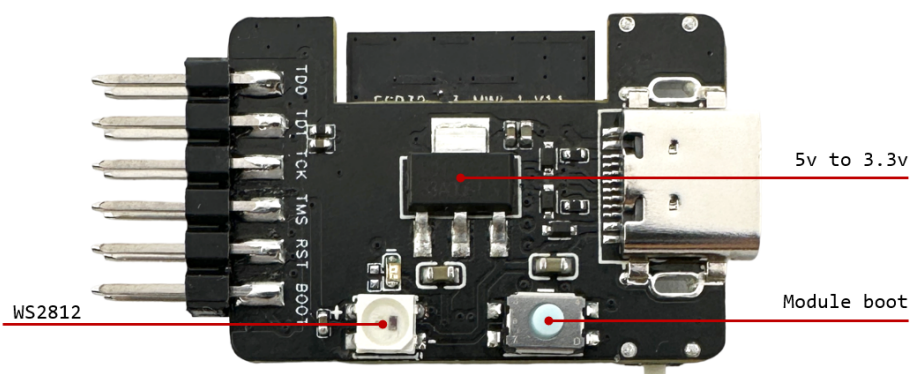


Fig. 5: ESP32-S3-USB-Bridge - Back (Click to Enlarge)

Key Component	Description
5 V to 3.3 V	Converts the USB voltage to 3.3 V for powering the ESP32-S3-MINI-1 module.
Module Boot Button	Connects IO0 on the module. After holding down the Boot button and powering up the development board again, the board enters the download mode and initiates the firmware upload mode for uploading firmware.
WS2812	Connects IO42 on the module and indicates the current state of the development board.

## Software Support

Development of applications for ESP32-S3-USB-Bridge can be done using [ESP-IDF](#) framework. ESP-IDF is a FreeRTOS-based SoC development framework with several components including LCD, ADC, RMT, and SPI. An example is provided for ESP32-S3-LCD-EV-Board under the folder [Examples](#) . You can configure project options by entering `idf.py menuconfig` in the example directory.

---

### Note:

- The current supported ESP-IDF version is release/5.0.
  - To prevent the default firmware from being replaced, please avoid pressing and holding the module's own Boot button while powering the board up/down.
- 

## 5.1.2 Start Application Development

This section provides instructions on how to do hardware and software setup and flash firmware onto the board to develop your own application.

### Required Hardware

- 1 x ESP32-S3-USB-Bridge
- 1 x LCD subboard
- 1 x USB 2.0 cable (standard Type-A to Type-C)
- 1 x PC (Windows, Linux, or macOS)

---

**Note:** Please make sure to use the appropriate USB cable. Some cables can only be used for charging, not for data transfer or program flashing.

---

### Hardware Setup

Prepare the board for loading of the first sample application:

1. Plug in the USB cable to connect the PC with the USB port on the board.
2. Make sure the board is in the download mode.
3. The LED lights up indicating the completion of flashing.

Now the board is ready for software setup.

### Software Setup

Please proceed to [Get Started](#), where Section [Installation](#) will quickly help you set up the development environment. For more software information on developing applications, please go to [Software Support](#).

### 5.1.3 Hardware Reference

This section provides more detailed information about the board's hardware.

#### GPIO Allocation

The table below provides the GPIO allocation of the ESP32-S3-MINI-1 module and its 12-pin expansion connector, which is used to control specific components or functions on the development board as well as the externally connected target chip.

Table 1: ESP32-S3-MINI-1 and Expansion Connector GPIO Allocation

Pin	Pin Name	Function
1	GND	GND
2	3V3	Power supply
3	IO0	Module boot button for entering download mode which can also be used as a key input pin
4	IO2	JTAG pin TDO for test data output
5	IO3	JTAG pin TDI for test data input
6	IO4	JTAG pin TCK for synchronized test data transfer
7	IO5	JTAG pin TMS for test mode configuration
8	IO8	The Reset pin connecting to the target chip, which sets the target chip to low level when pressed
9	IO9	The Boot pin connecting to the target chip, which sets the target chip to low level when pressed
10	IO19	USB_D-
11	IO20	USB_D+
12	IO40	RX connecting to the UART TX pin of the target chip
13	IO41	TX connecting to the UART RX pin of the target chip
14	IO42	WS2812 control pin

**Note:** Pin 3 to Pin 14 are the corresponding pins of the 12-pin expansion connector. Apart from the features in the above table, all these IO pins support to be configured for other purposes. Note that GPIO5 and GPIO8 should be connected to external keys.

#### Power Distribution

**Power Supply over USB** There are two ways to power the development board via the USB power port:

- Via the Type-A port
- Via the Type-C port

**Voltage Conversion Circuit** The ESP32-S3-USB-Bridge supports converting 5 V to 3.3 V for the module.

#### Hardware Setup Options

**Automatic Download** Press the Boot button on the module and re-power up the board, then release the Boot button to allow the board to enter the download mode.

### 5.1.4 Hardware Revision Details

No previous revisions.

## TYPE-A

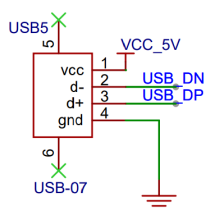


Fig. 6: ESP32-S3-USB-Bridge - Type-A Power Supply

## TYPE-C

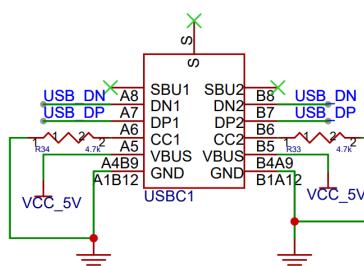


Fig. 7: ESP32-S3-USB-Bridge - Type-C Power Supply

## POWER

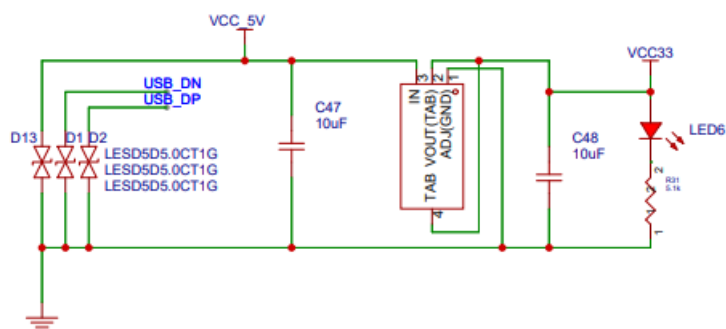


Fig. 8: ESP32-S3-USB-Bridge - Voltage Conversion

### 5.1.5 Sample Request

This board has been open-sourced to [OSHWHub](#). Please sample it according to your needs.

### 5.1.6 Related Documents

- [ESP32-S3 Datasheet](#)
- [ESP32-S3-MINI-1 Datasheet](#)
- [ESP Product Selector](#)
- [ESP32-S3-USB-Bridge PCB Layout](#)
- [ESP32-S3-USB-Bridge Schematics](#)

For further design documentation for the board, please contact us at [sales@espressif.com](mailto:sales@espressif.com).

## Chapter 6

# Related Documentation and Resources

### 6.1 Related Documentation

- [ESP32-S3 Datasheet](#) –Specifications of the ESP32-S3 hardware.
- [ESP32-S3 Technical Reference Manual](#) –Detailed information on how to use the ESP32-S3 memory and peripherals.
- [ESP32-S3 Hardware Design Guidelines](#) –Guidelines on how to integrate the ESP32-S3 into your hardware product.
- ESP32-S3 Product/Process Change Notifications (PCN)  
<https://espressif.com/en/support/documents/pcns?keys=ESP32-S3>
- ESP32-S3 Advisories –Information on security, bugs, compatibility, component reliability.  
<https://espressif.com/en/support/documents/advisories?keys=ESP32-S3>
- Certificates  
<https://espressif.com/en/support/documents/certificates>
- Documentation Updates and Update Notification Subscription  
<https://espressif.com/en/support/download/documents>

### 6.2 Developer Zone

- [ESP-IDF Programming Guide for ESP32-S3](#) –Extensive documentation for the ESP-IDF development framework.
- [ESP-IoT-Solution Programming Guide](#) - Extensive documentation for the ESP-IoT-Solution development framework.
- [ESP-FAQ](#) - A summary document of frequently asked questions released by Espressif.
- ESP-IDF and other development frameworks on GitHub.  
<https://github.com/espressif>
- ESP32 BBS Forum –Engineer-to-Engineer (E2E) Community for Espressif products where you can post questions, share knowledge, explore ideas, and help solve problems with fellow engineers.  
<https://esp32.com/>
- The ESP Journal –Best Practices, Articles, and Notes from Espressif folks.  
<https://blog.espressif.com/>
- See the tabs SDKs and Demos, Apps, Tools, AT Firmware.  
<https://espressif.com/en/support/download/sdks-demos>

## 6.3 Products

- ESP32-S3 Series SoCs –Browse through all ESP32-S3 SoCs.  
<https://espressif.com/en/products/socs?id=ESP32-S3>
- ESP32-S3 Series Modules –Browse through all ESP32-S3-based modules.  
<https://espressif.com/en/products/modules?id=ESP32-S3>
- ESP32-S3 Series DevKits –Browse through all ESP32-S3-based devkits.  
<https://espressif.com/en/products/devkits?id=ESP32-S3>
- ESP Product Selector –Find an Espressif hardware product suitable for your needs by comparing or applying filters.  
<https://products.espressif.com/#/product-selector>

## 6.4 Contact Us

- See the tabs Sales Questions, Technical Enquiries, Circuit Schematic & PCB Design Review, Get Samples (Online stores), Become Our Supplier, Comments & Suggestions.  
<https://espressif.com/en/contact-us/sales-questions>

## Chapter 7

# Disclaimer and Copyright Notice

Information in this document, including URL references, is subject to change without notice.

All third party's information in this document is provided as is with no warranties to its authenticity and accuracy.

No warranty is provided to this document for its merchantability, non-infringement, fitness for any particular purpose, nor does any warranty otherwise arising out of any proposal, specification or sample.

All liability, including liability for infringement of any proprietary rights, relating to use of information in this document is disclaimed. No licenses express or implied, by estoppel or otherwise, to any intellectual property rights are granted herein.

The Wi-Fi Alliance Member logo is a trademark of the Wi-Fi Alliance. The Bluetooth logo is a registered trademark of Bluetooth SIG.

All trade names, trademarks and registered trademarks mentioned in this document are property of their respective owners, and are hereby acknowledged.