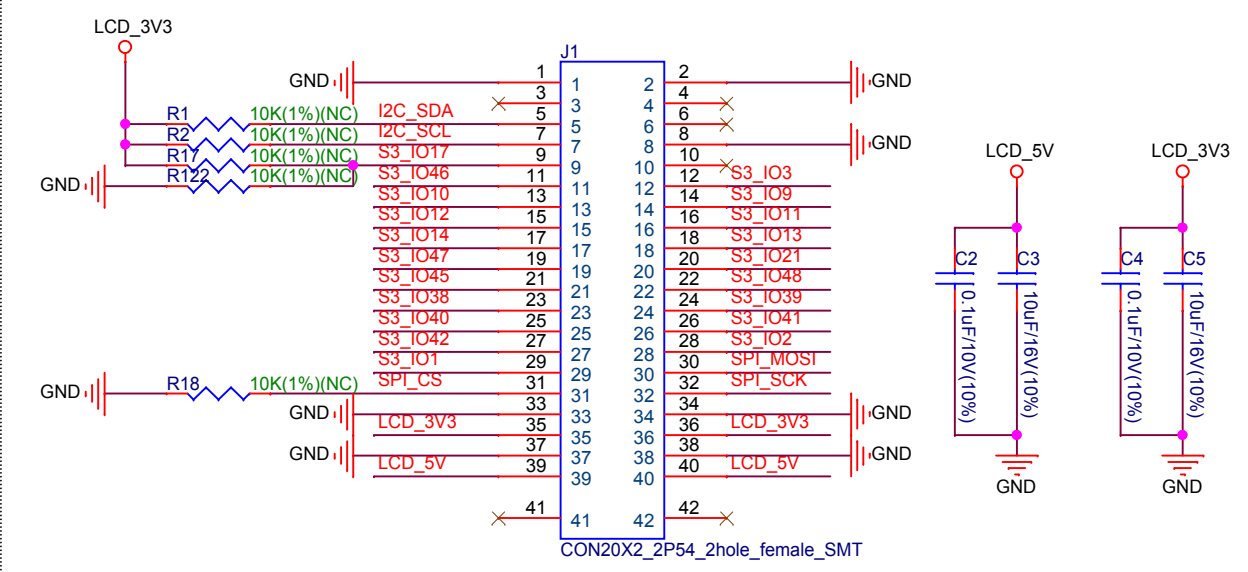
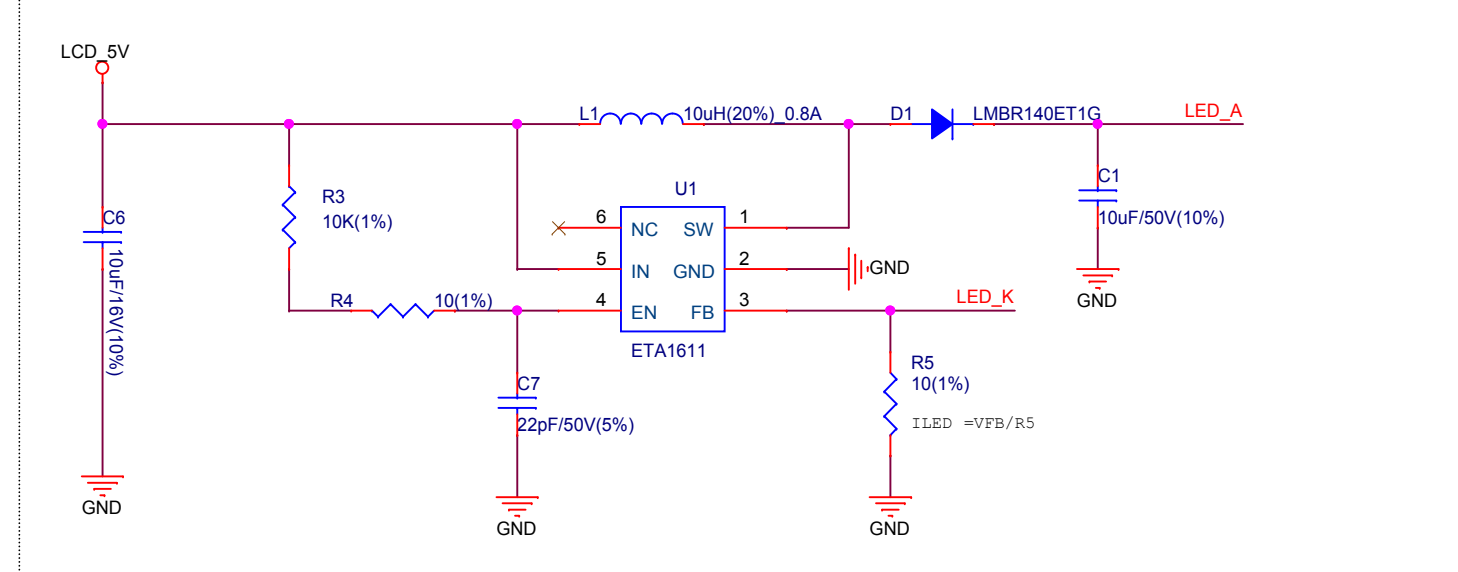


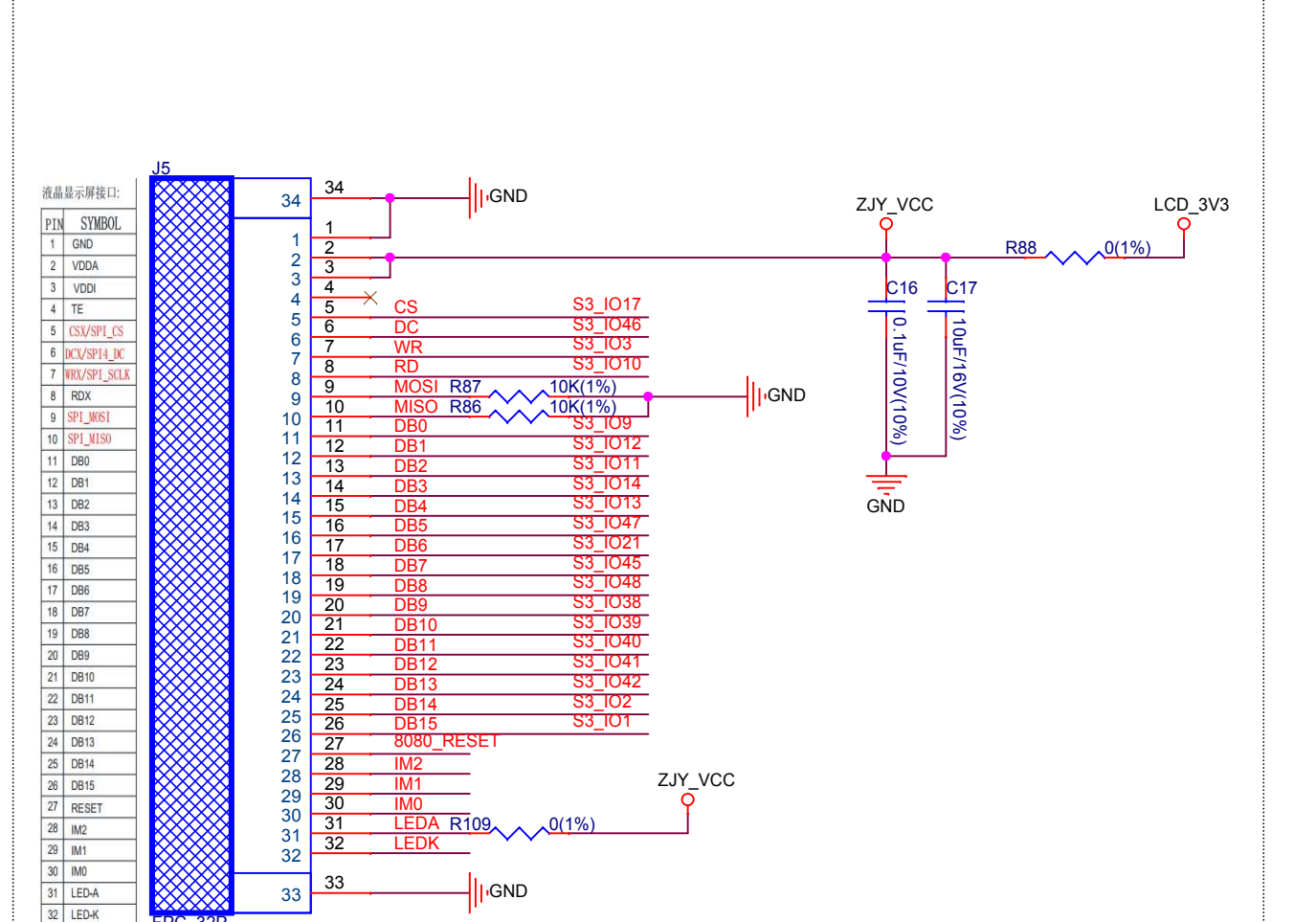
Connector to MB



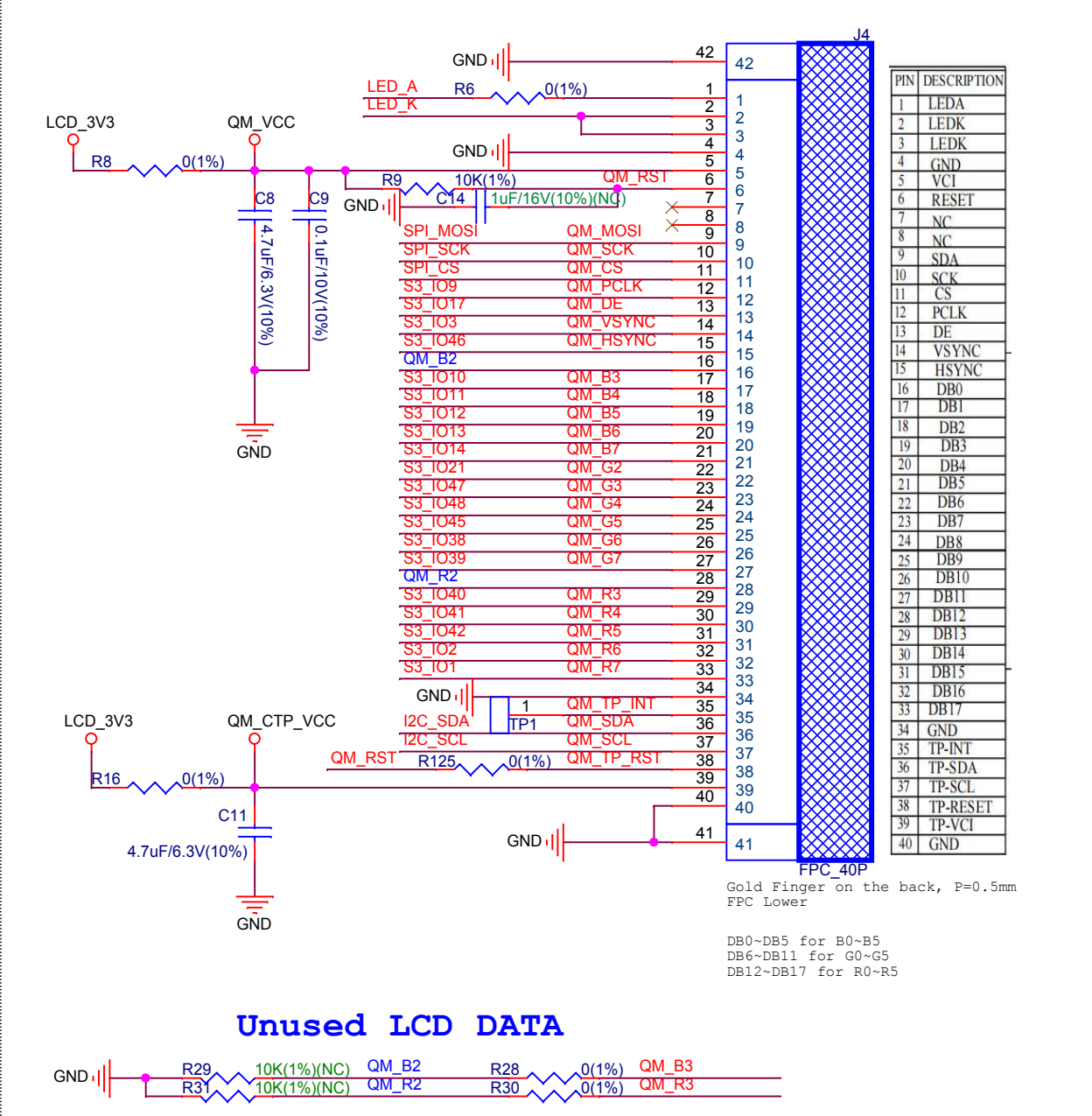
LCD_BL



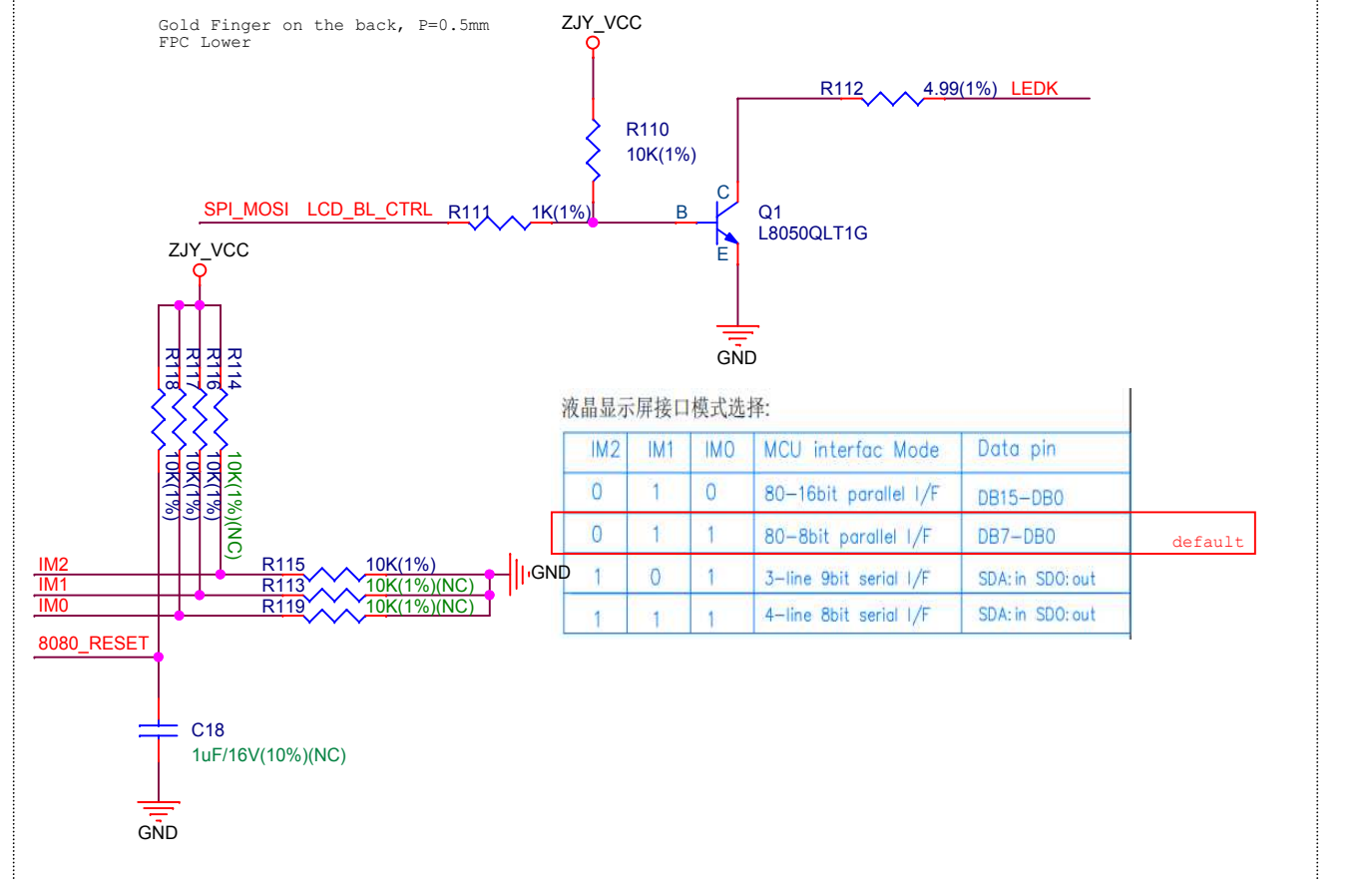
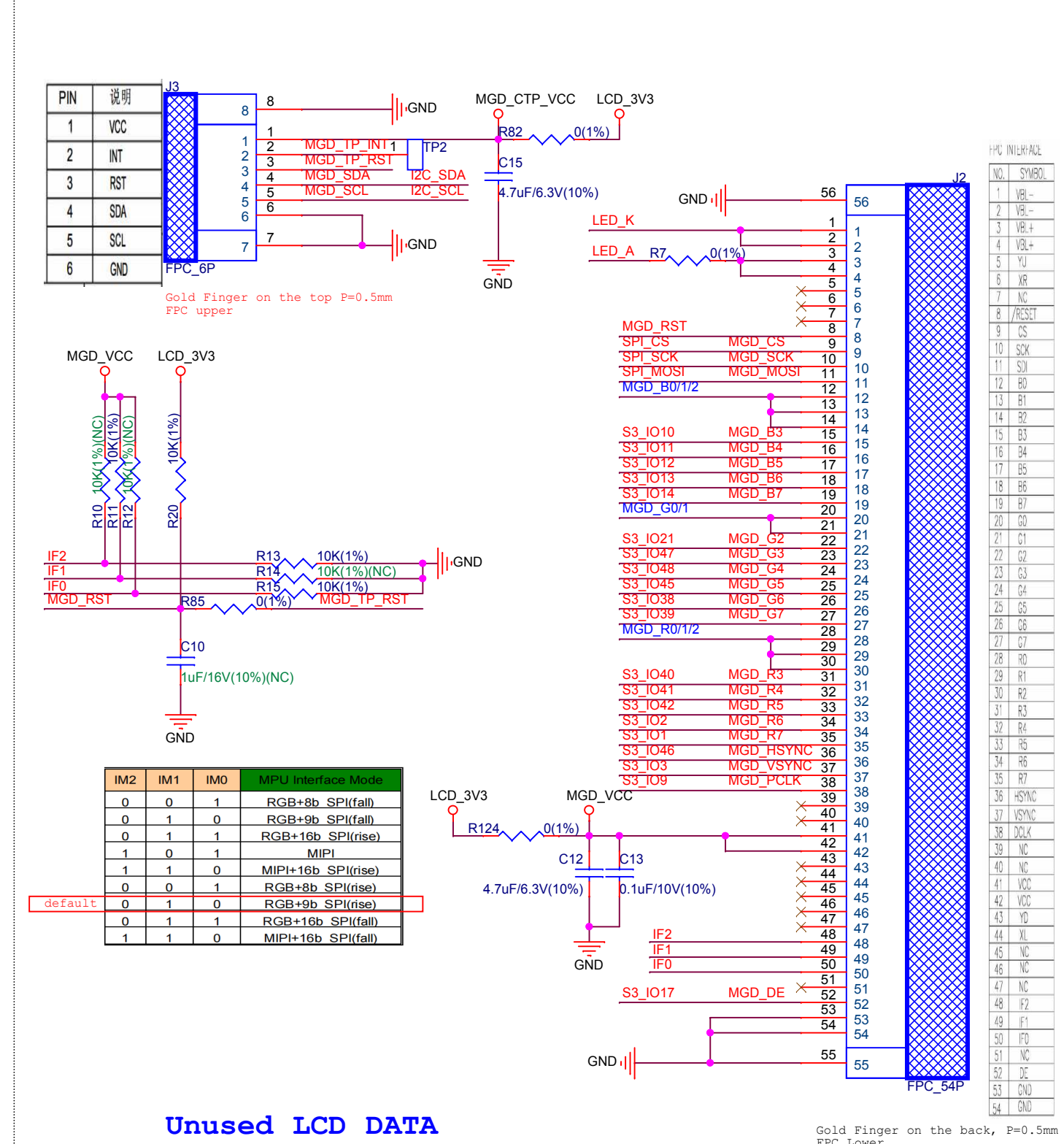
3.5' LCD_ZJY



3.95' LCD_QMZX



3.95' LCD_MGD



Support Board Holes

