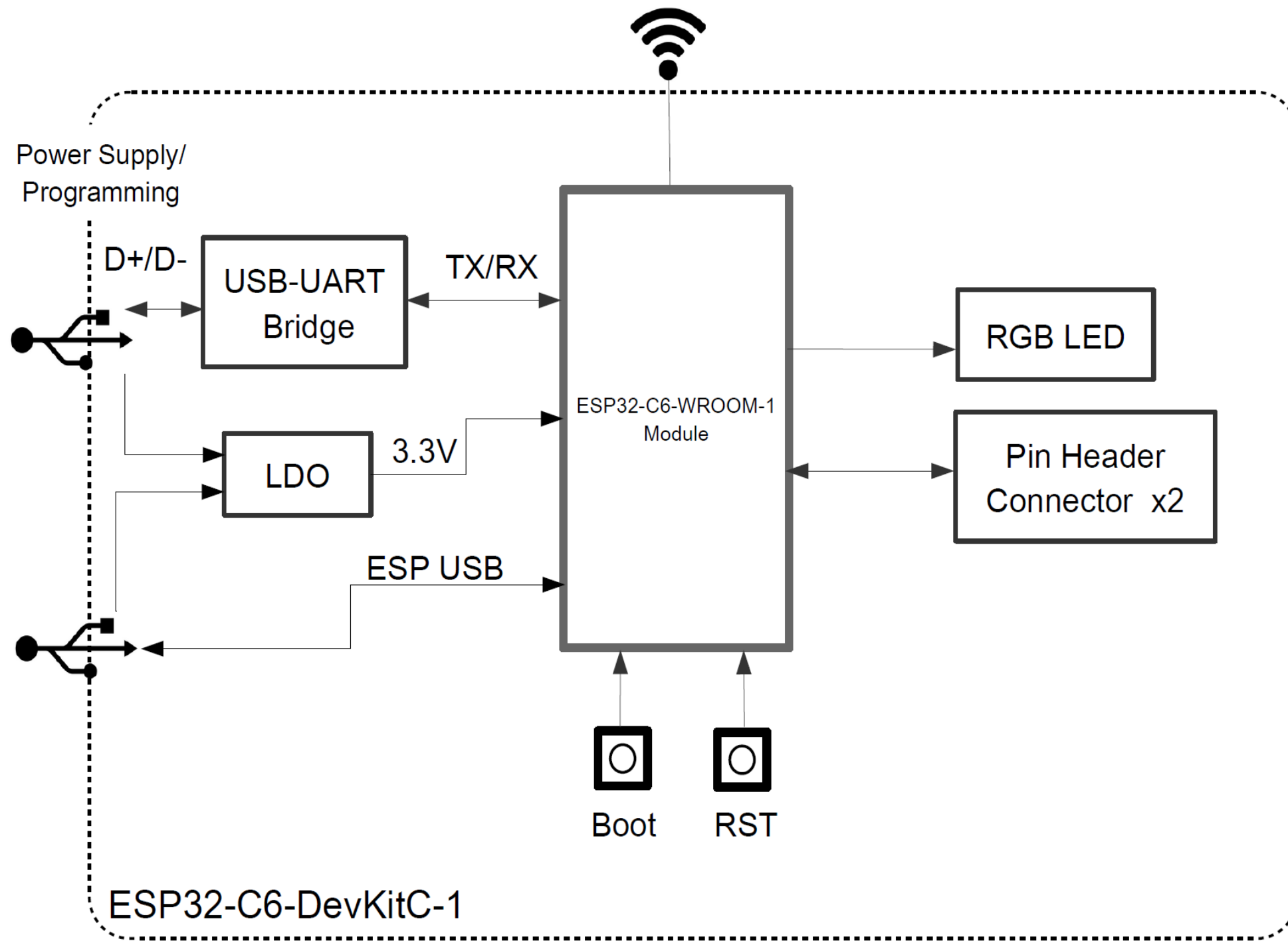
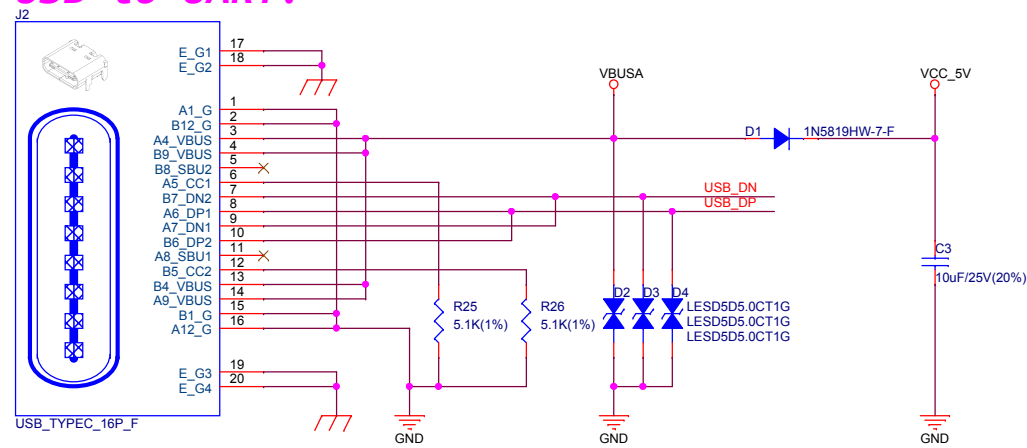


System Block:

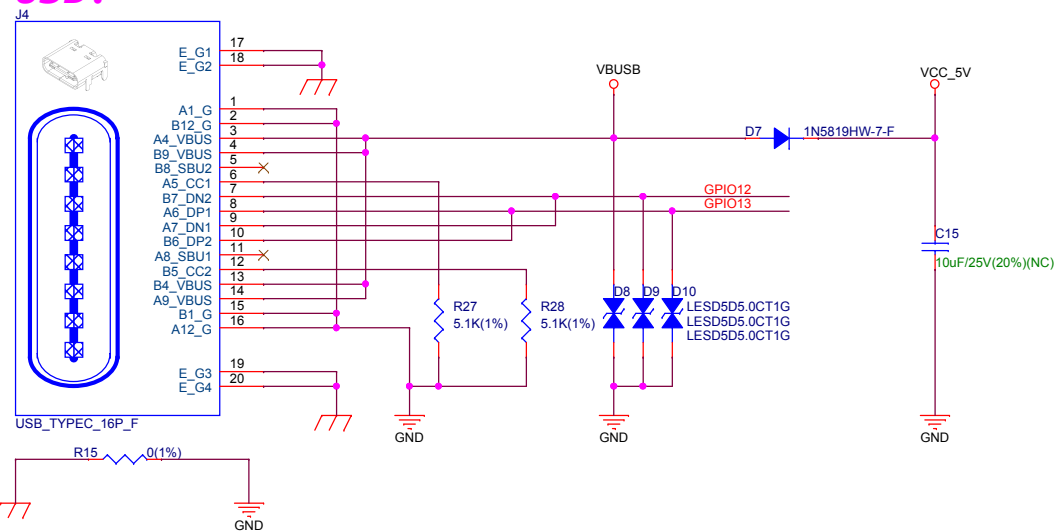


ESPRESSIF		
乐鑫科技(上海)股份有限公司		
Title: ESP32-C6-DevKitC-1		
Size: C	Document Number: 01 DesignBlock	Rev: V1.3
Date: Friday, March 03, 2023	Sheet: 1	of 2

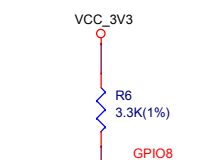
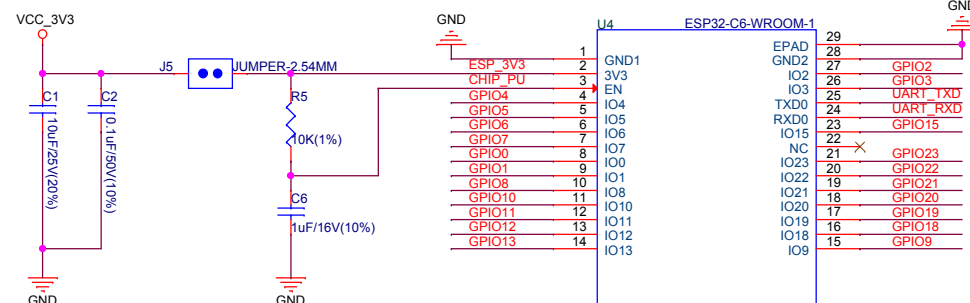
USB to UART:



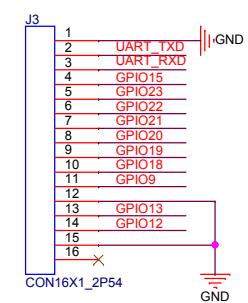
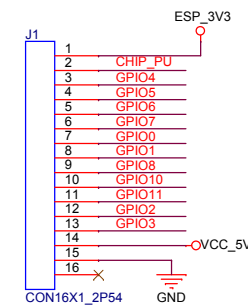
USB:



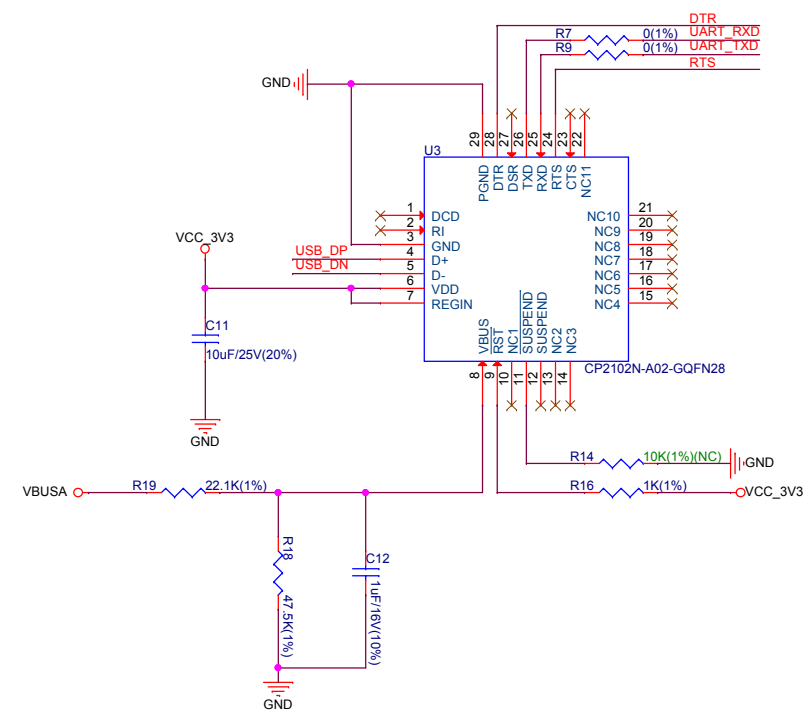
ESP32-C6-WROOM-1:



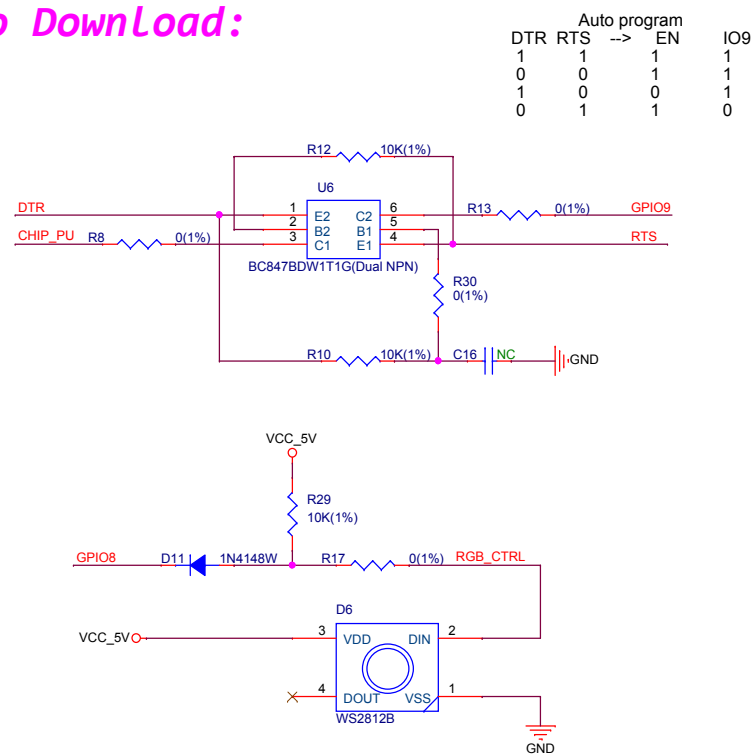
Pin Header:



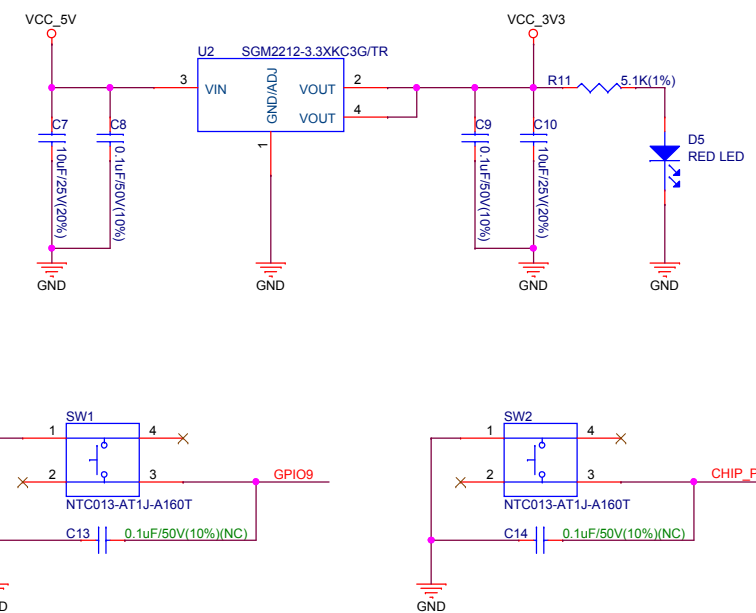
UART:



Auto Download:



Power Regulator:



ESPRESSIF

乐鑫信息科技(上海)股份有限公司

Title: ESP32-C6-DevKitC-1

Size: Document Number

C: 02 ESP32-C6-DevKitC-1

Date: Friday, March 03, 2023

Rev: V1.3

Sheet: 2 of 2