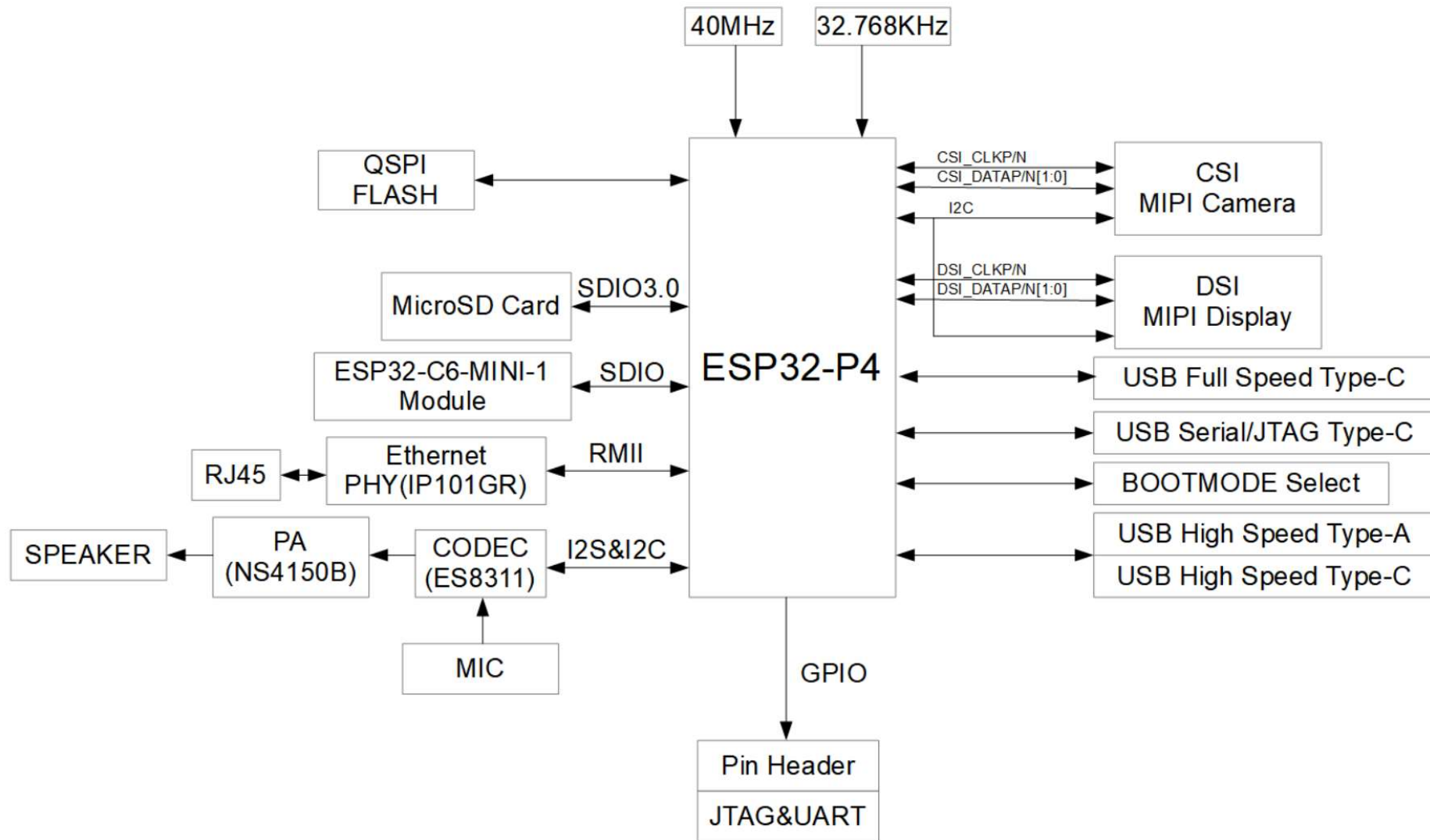
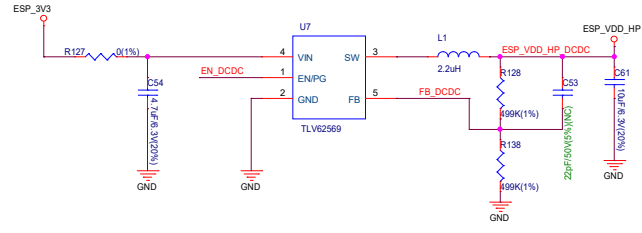
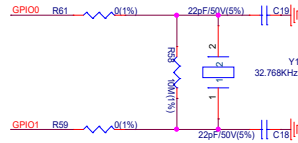
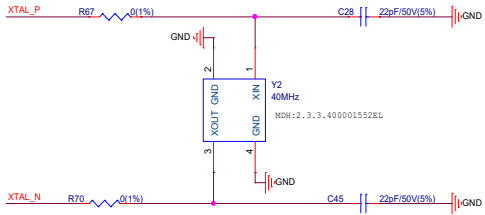
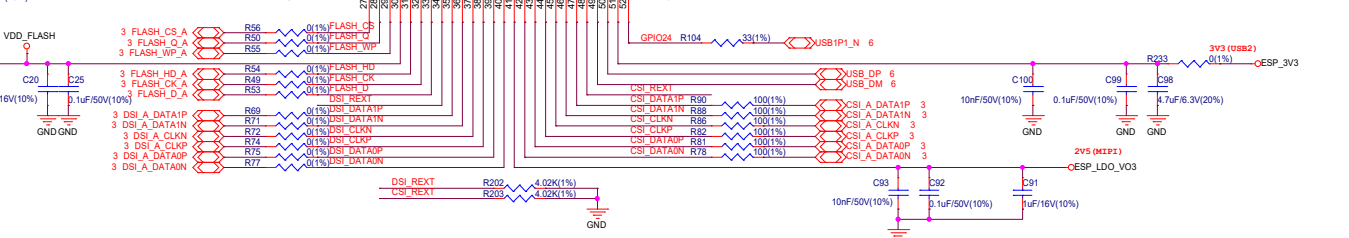
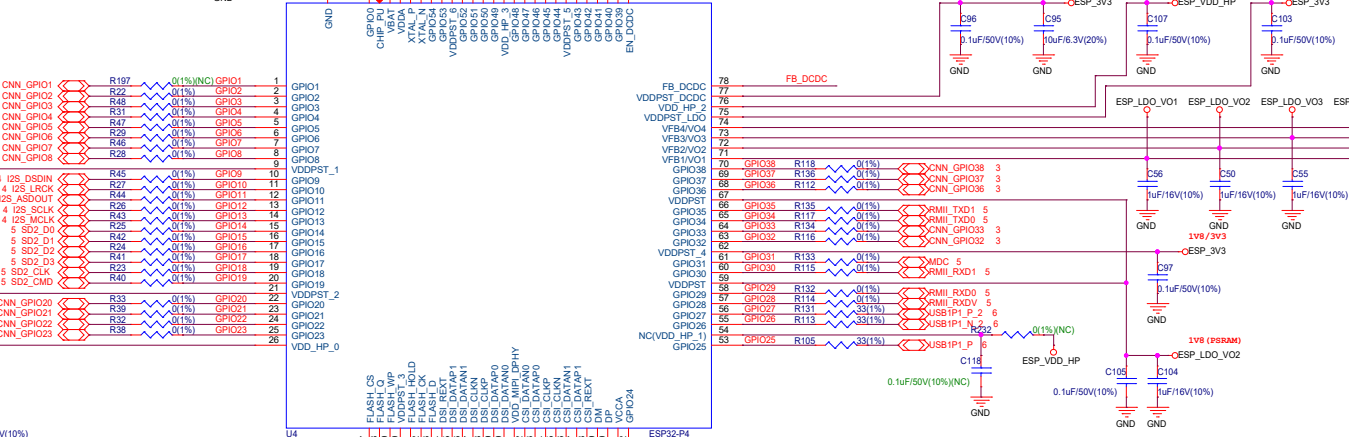
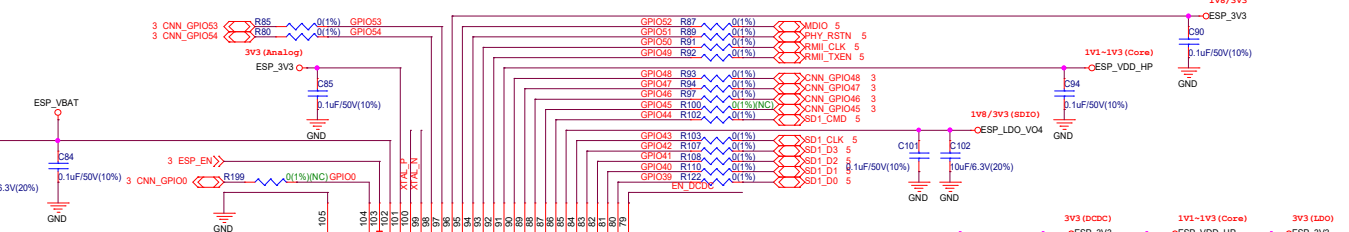
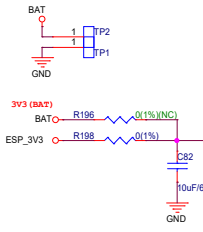


Design Block:

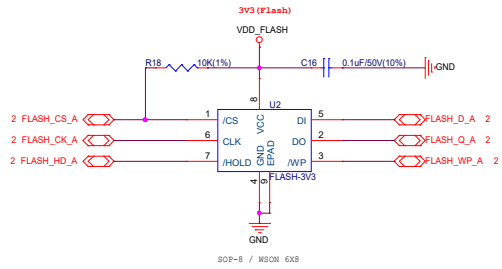




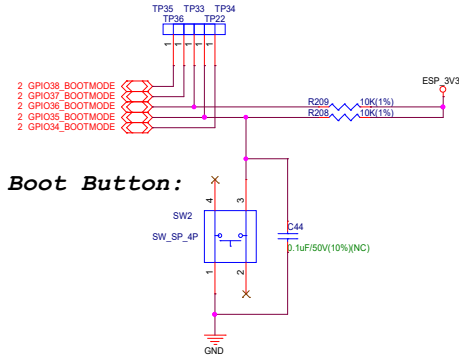
- GPIO38 R206 0(1%) GPIO38_BOOTMODE 3
- GPIO37 R212 0(1%) GPIO37_BOOTMODE 3
- GPIO36 R204 0(1%) GPIO36_BOOTMODE 3
- GPIO35 R207 0(1%) GPIO35_BOOTMODE 3
- GPIO34 R205 0(1%) GPIO34_BOOTMODE 3
- GPIO7 R104 0(1%) ESP_I2C_SDA 3.4
- GPIO8 R190 0(1%) ESP_I2C_SCL 3.4
- GPIO53 R79 0(1%) PA_CTRL 4
- GPIO54 R76 0(1%) CE_EN 5
- GPIO6 R50 0(1%) CE_WAKEUP 5
- GPIO28 R228 33(1%) CNN_GPIO28 3
- GPIO27 R227 33(1%) CNN_GPIO27 3
- GPIO45 R231 0(1%) SD_DET_PWR 5



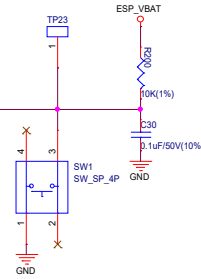
FLASH:



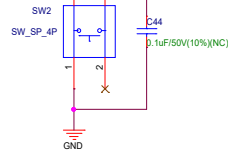
Boot Strapping Pins:



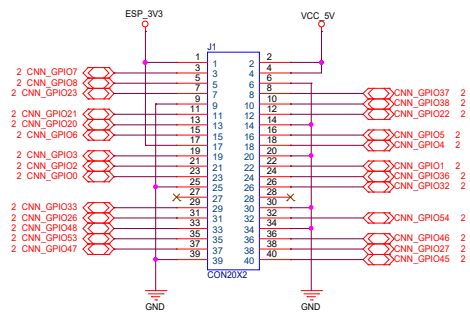
Reset Button:



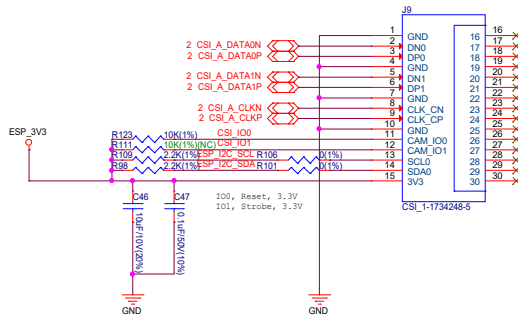
Boot Button:



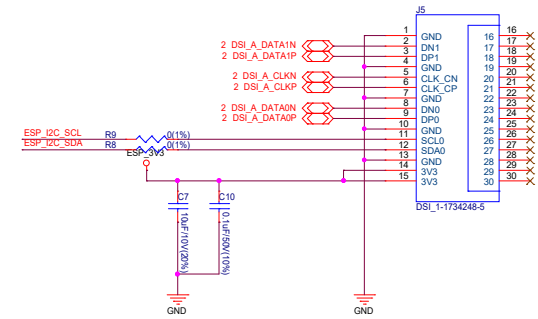
Pin Header For GPIOs:



CSI Connector:

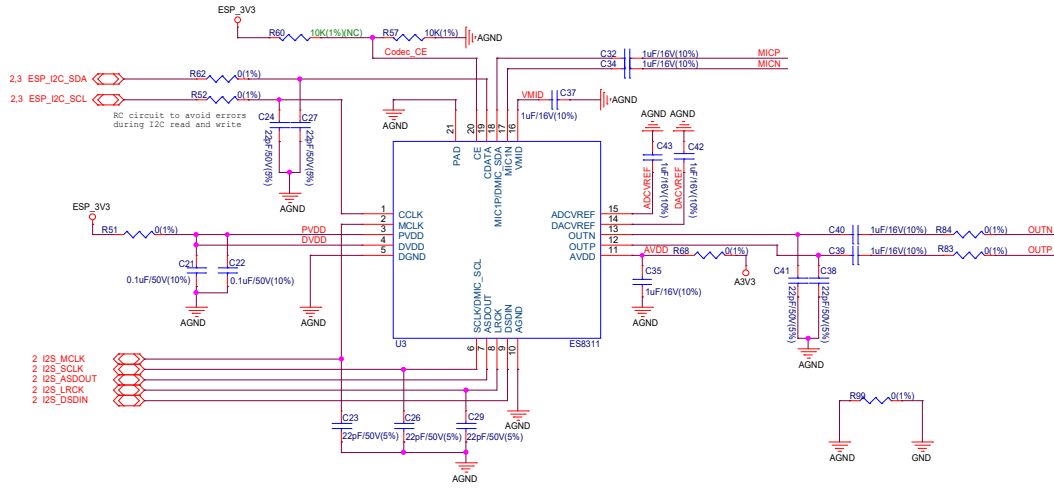


DSI Connector:

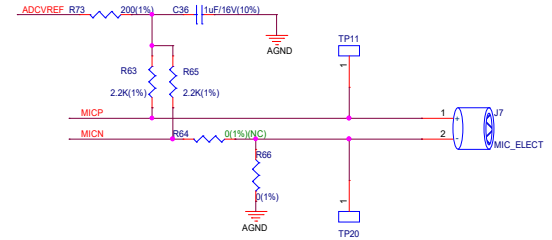


2,4 ESP_I2C_SCL <-> ESP_I2C_SCL
2,4 ESP_I2C_SDA <-> ESP_I2C_SDA

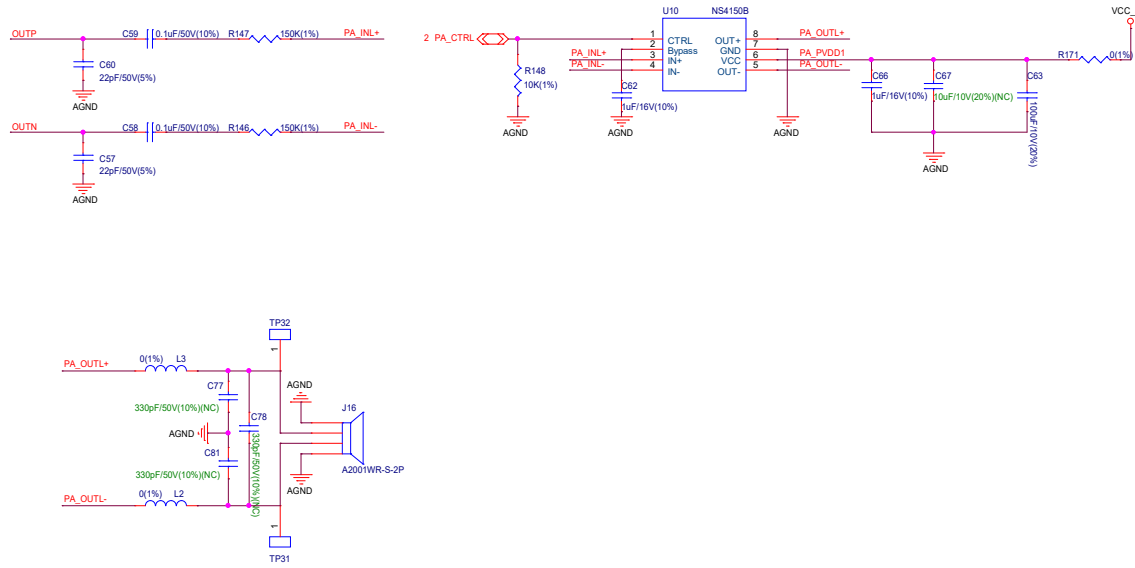
Codec:



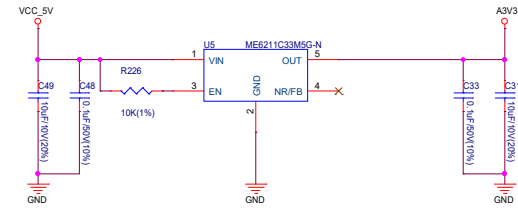
MIC:



PA&SPEAKER:



3.3V LDO For AVDD:



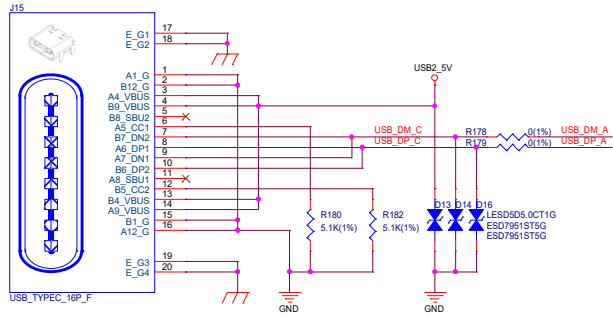
ESPRESSIF

乐鑫科技(上海)股份有限公司

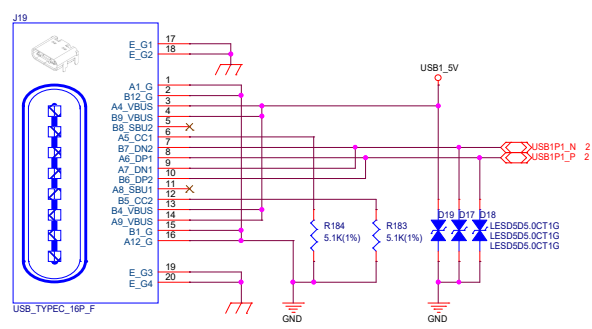
Title: ESP32-PA_FUNCTION_EV_BOARD

Size	Page Name	Rev	Proprietary
C	04_Audio	1.5	
Date:	Thursday, October 24, 2024	Sheet	4 of 6

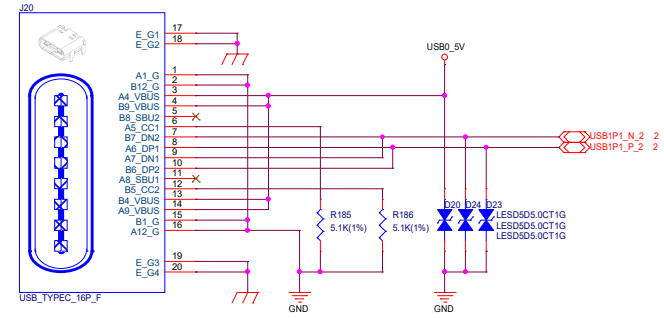
USB High Speed & Power in:



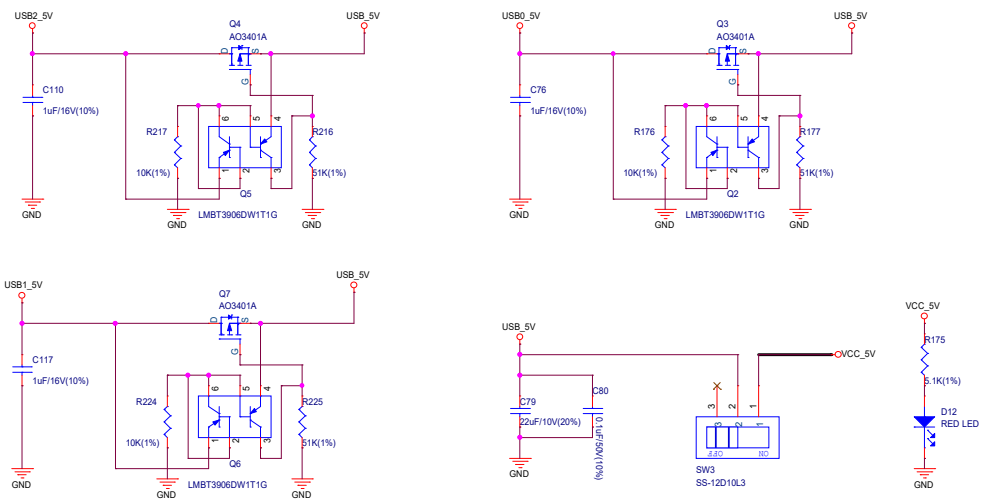
USB Serial/JTAG & Power in:



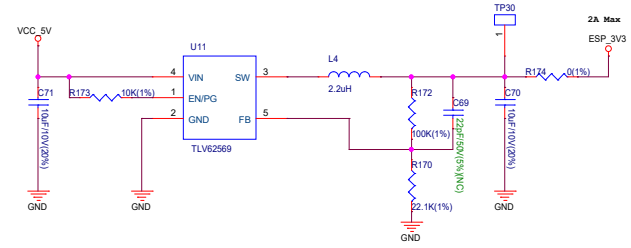
USB Full Speed Slave & Power in:



Ideal Diodes:



3V3 DC-DC:



USB High Speed Host:

