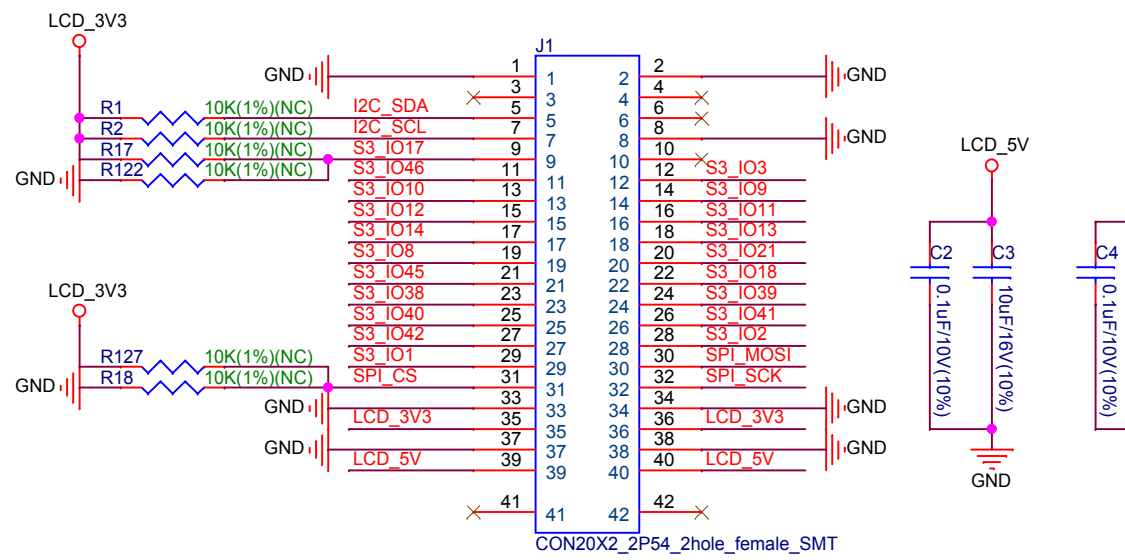
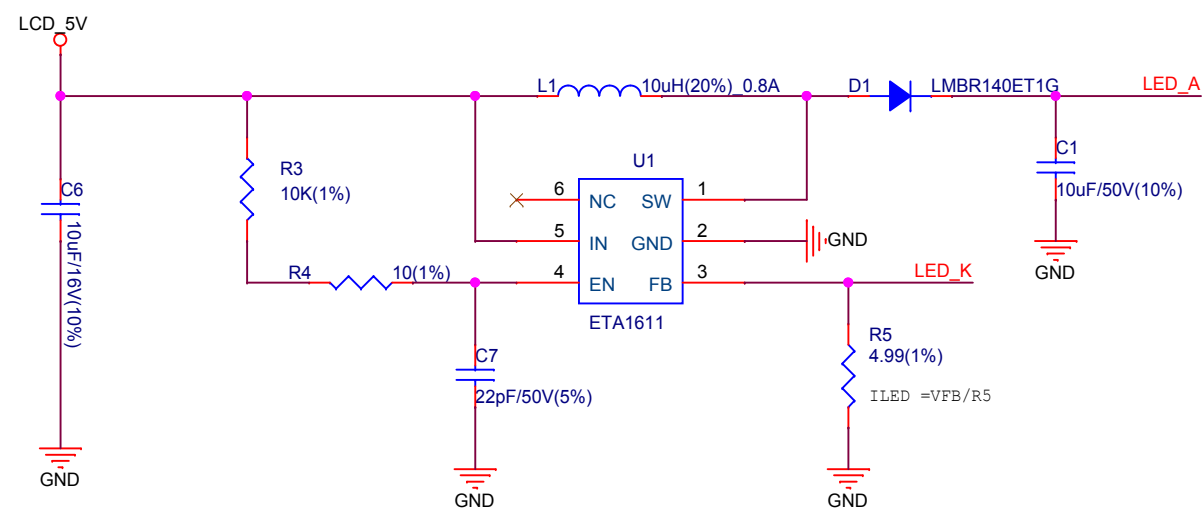


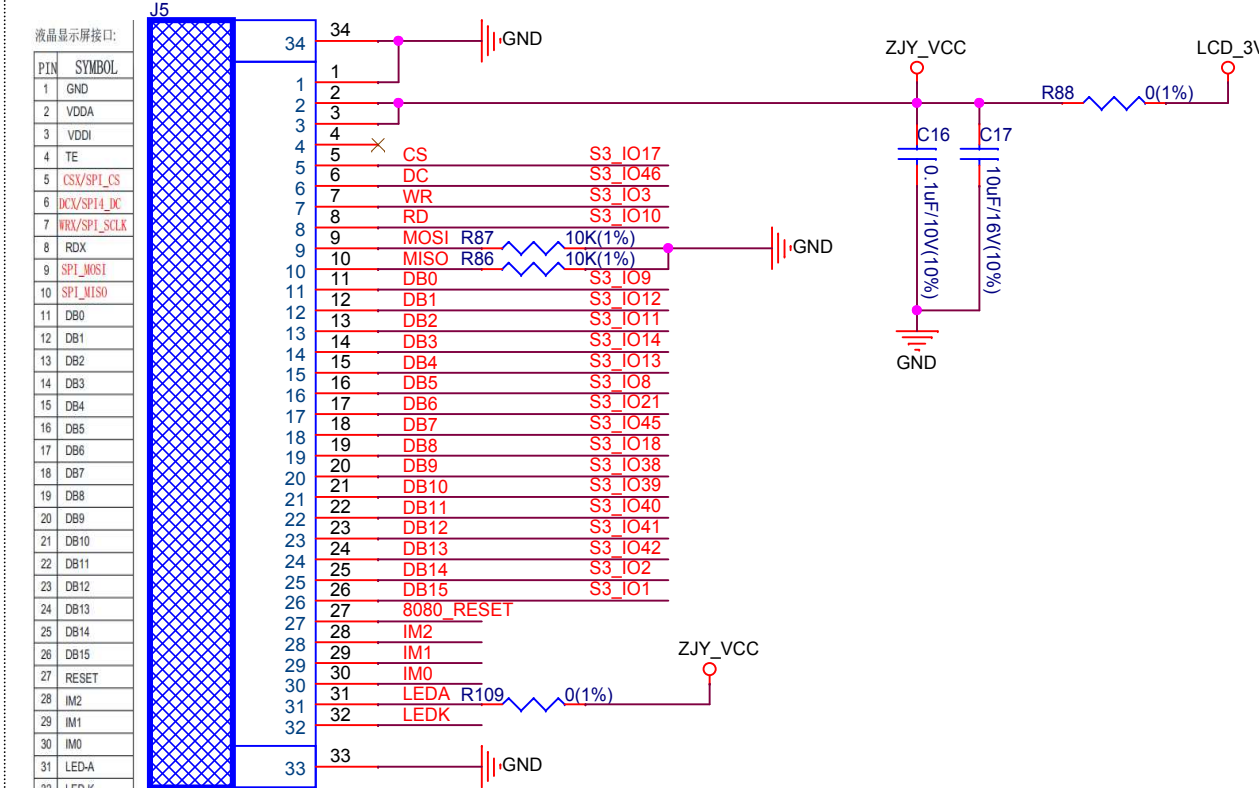
Connector to MB



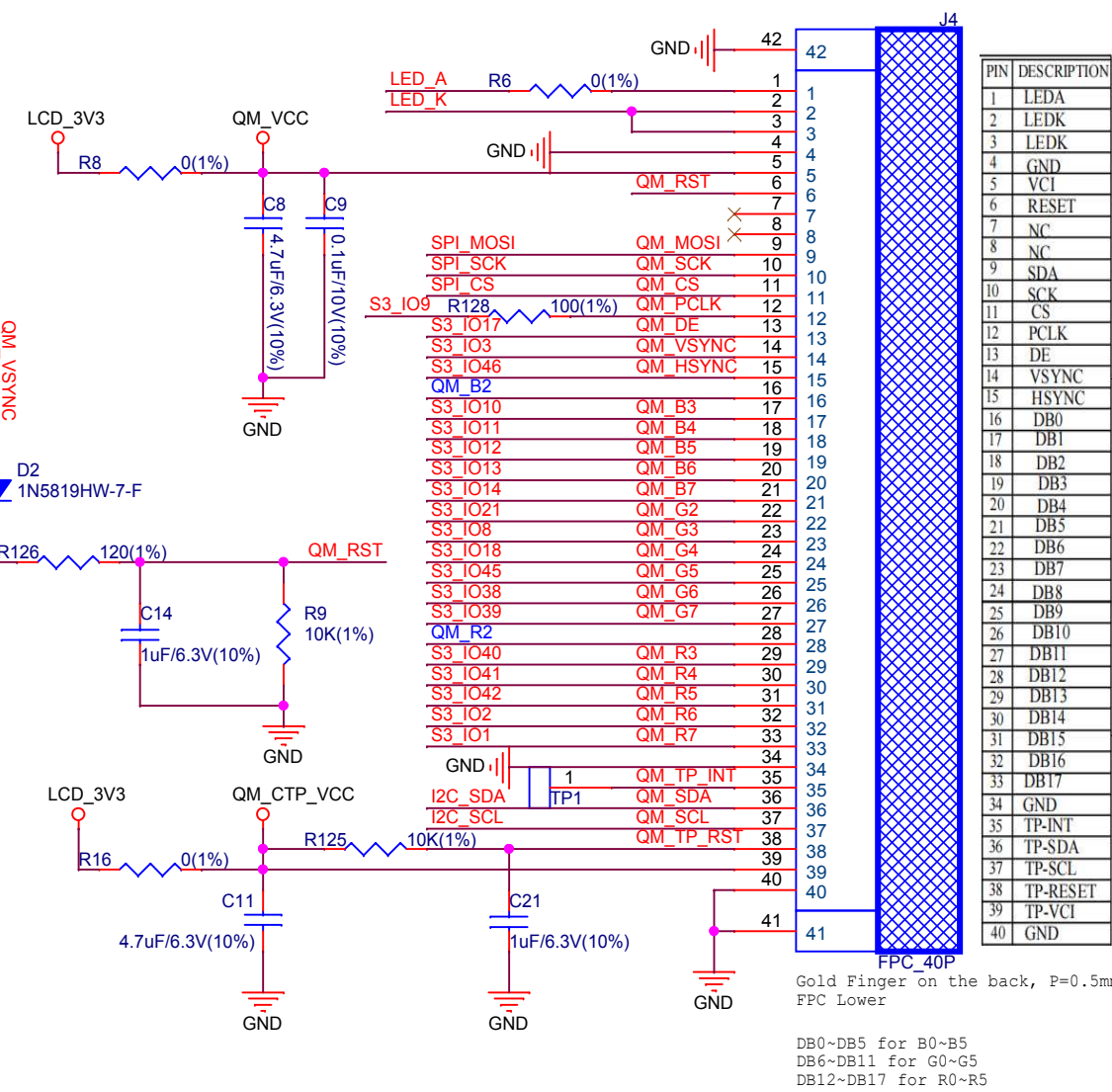
LCD_BL



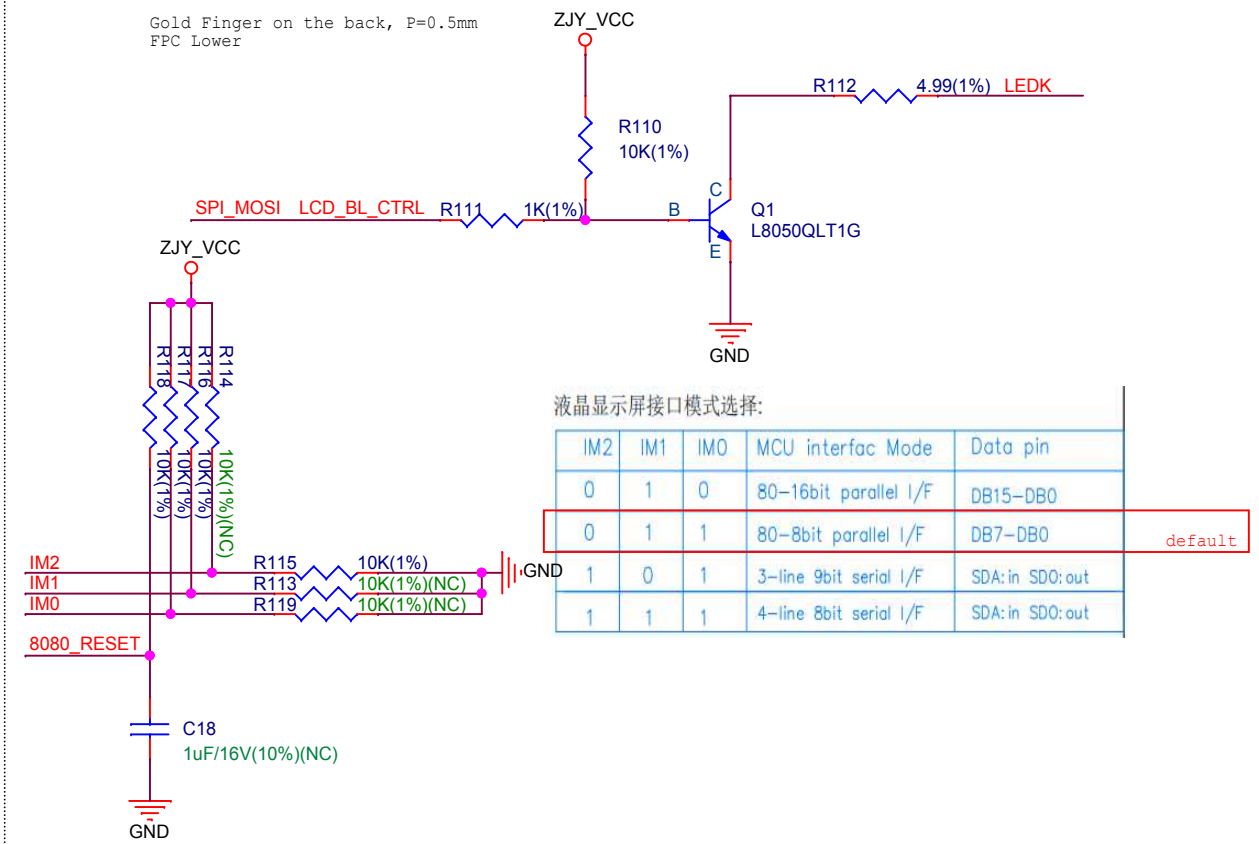
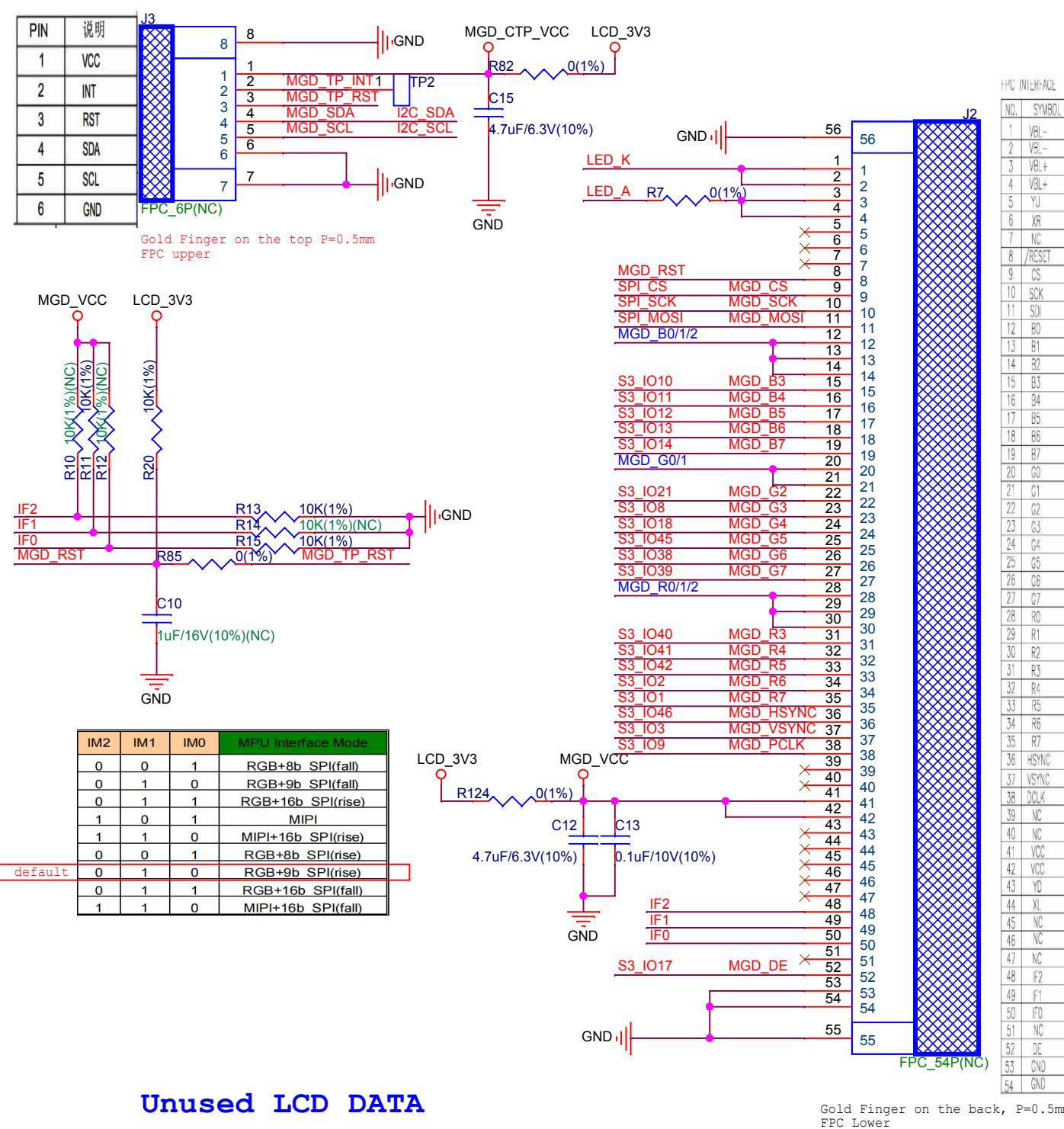
3.5 inch LCD_ZJY



3.95 inch LCD_QMZX



3.95 inch LCD_MGD

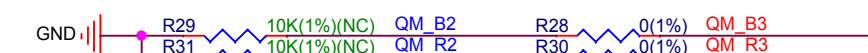


液晶显示屏接口模式选择:

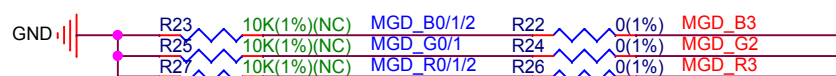
IM2	IM1	IMO	MCU interface Mode	Data pin
0	1	0	80-16bit parallel I/F	DB15-DB0
0	1	1	80-8bit parallel I/F	DB7-DB0
1	0	1	3-line 9bit serial I/F	SDA:in SDC:out
1	1	1	4-line 8bit serial I/F	SDA:in SDC:out

default

Unused LCD DATA



Unused LCD DATA



Support Board Holes

