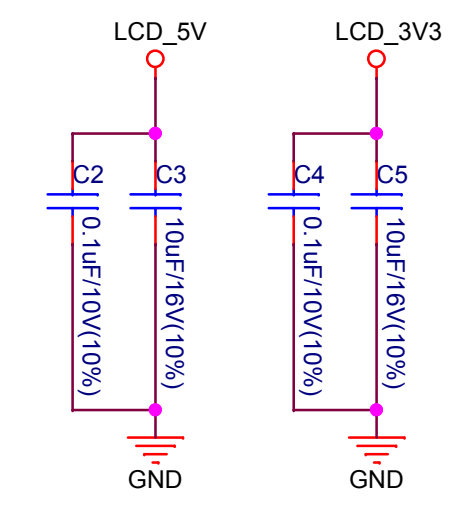
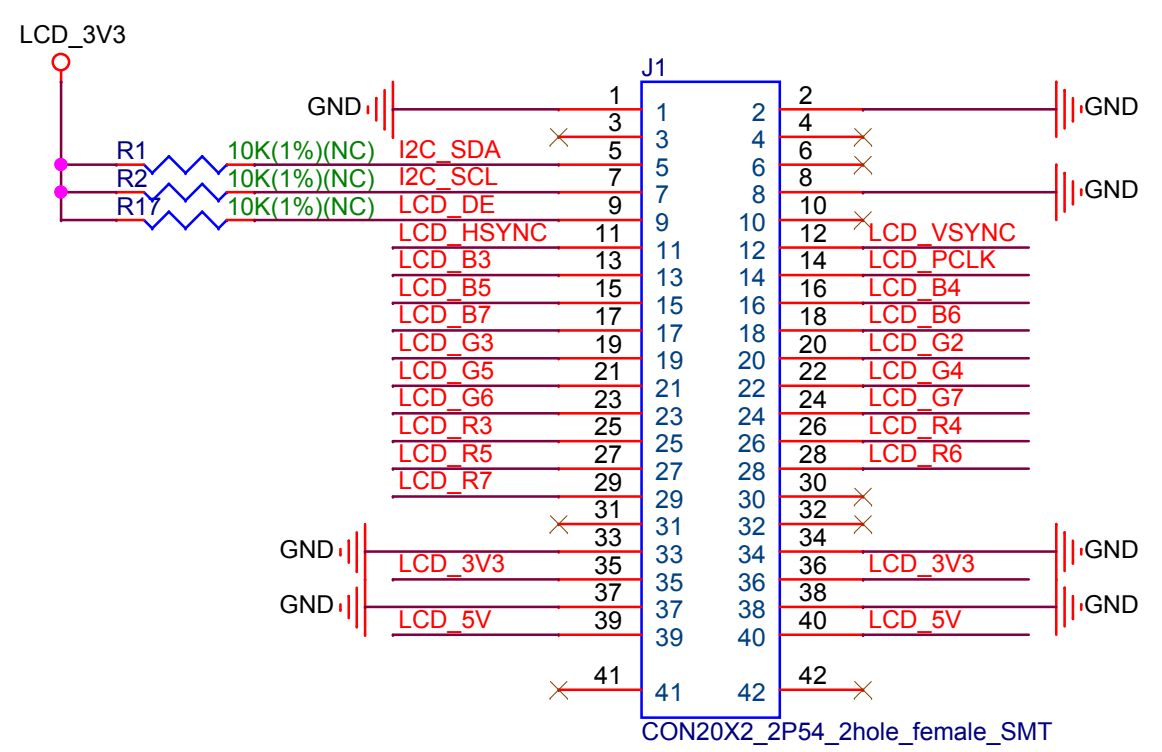
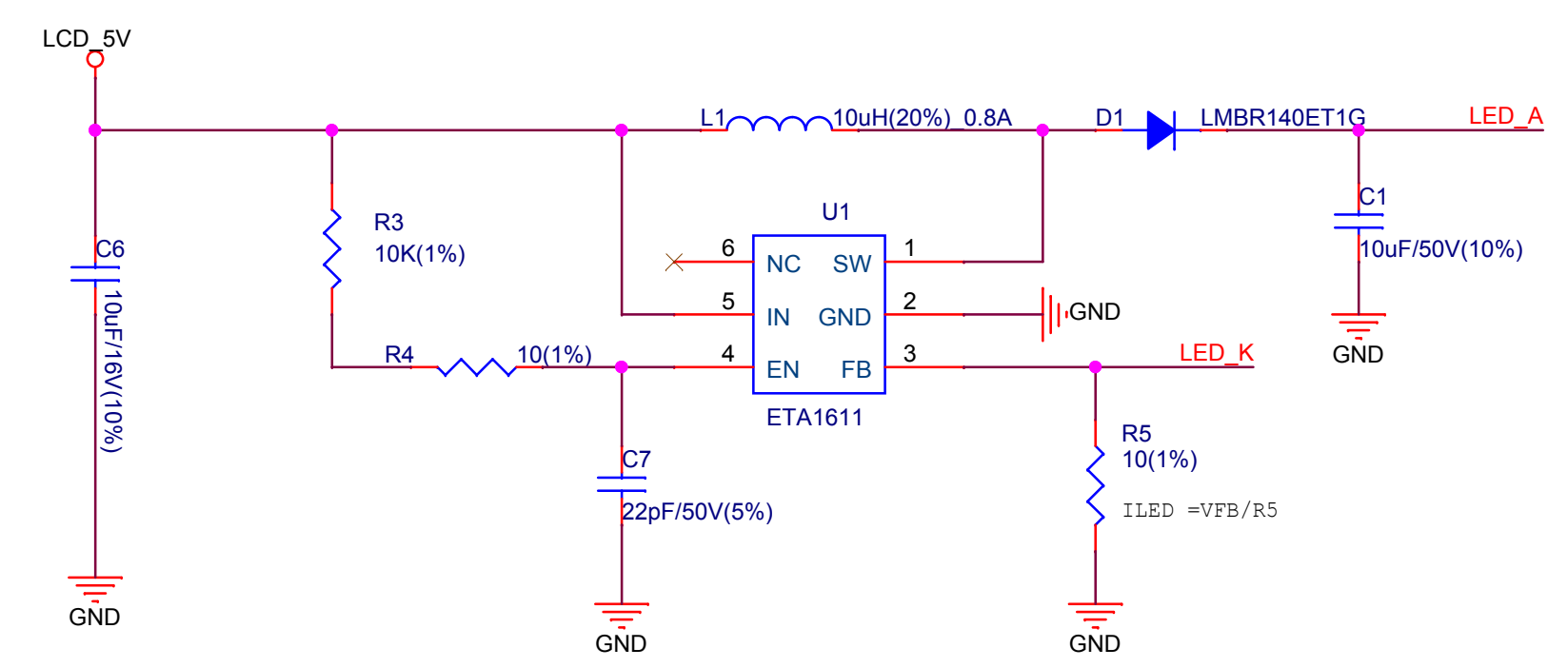


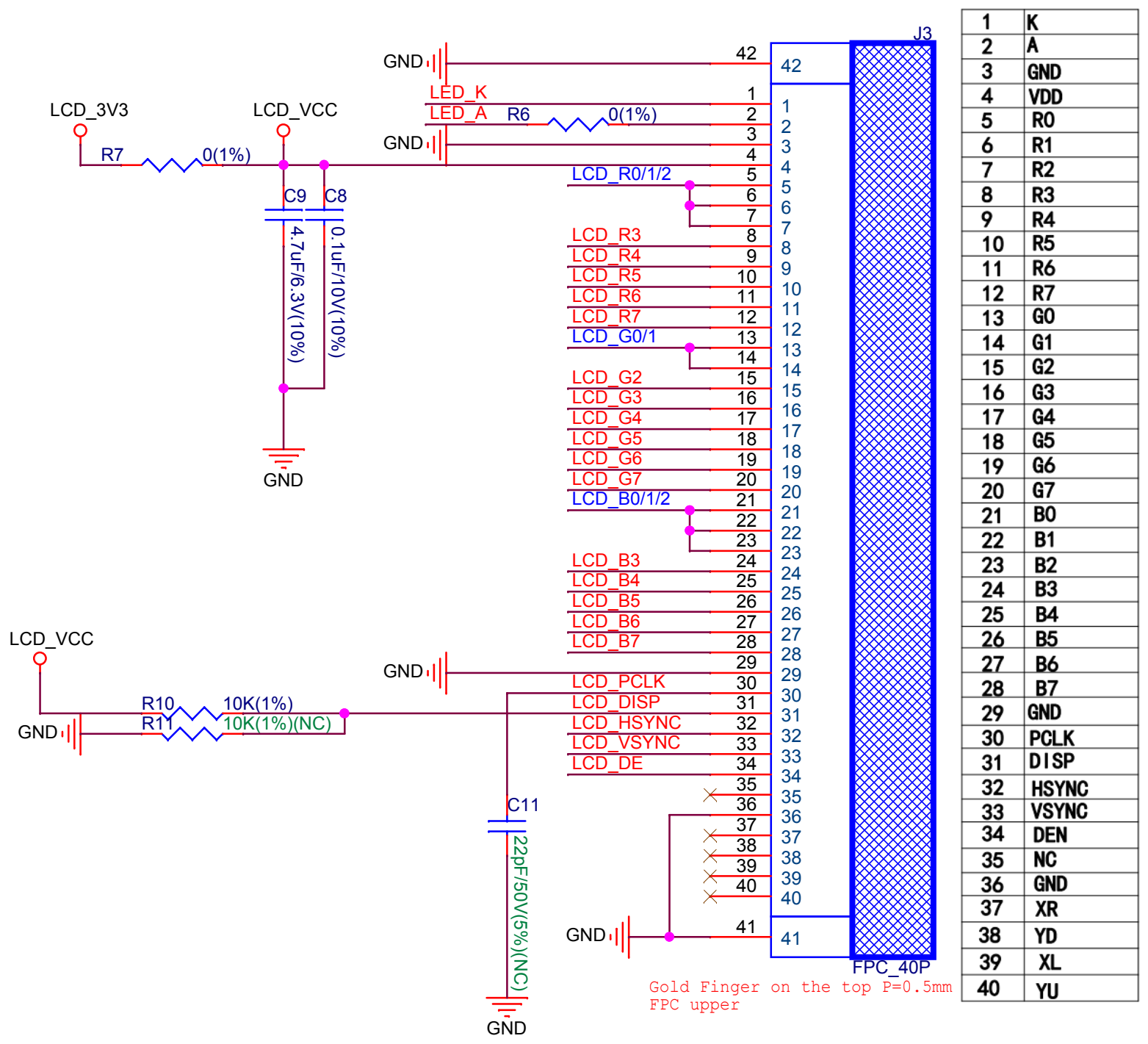
Connector to MB



LCD_BL

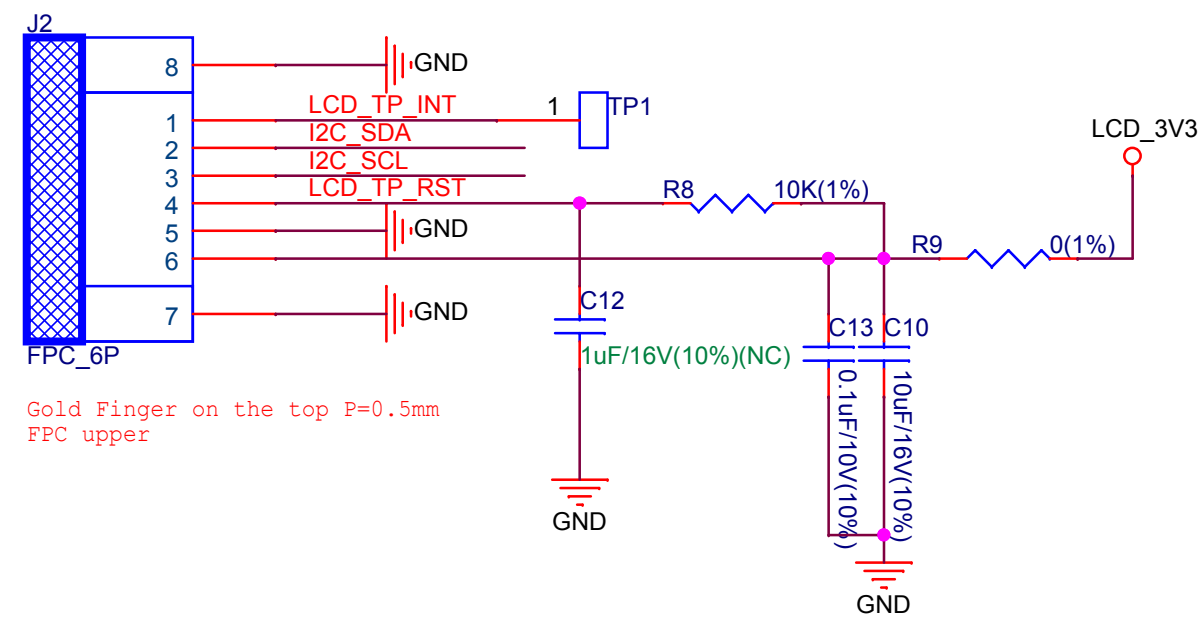


LCD_800X480_4.3 inch_WSK

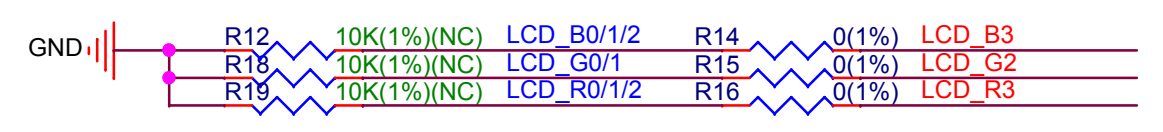


CTP interface

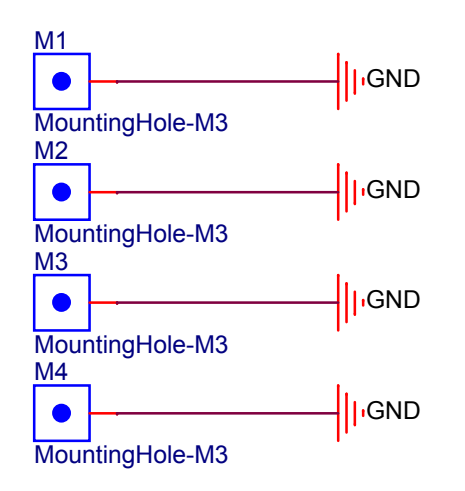
PIN	Symbol
1	INT
2	SDA
3	SCL
4	RST
5	GND
6	VDD



Unused LCD DATA



Support Holes



ESPRESSIF

乐鑫信息科技(上海)股份有限公司

Title			
ESP32-S3-LCD-EV-Board-SUB3			
Size	Page Name	Rev	Proprietary
B	LCD	1.1	
Date:		Friday, July 28, 2023	Sheet 1 of 1