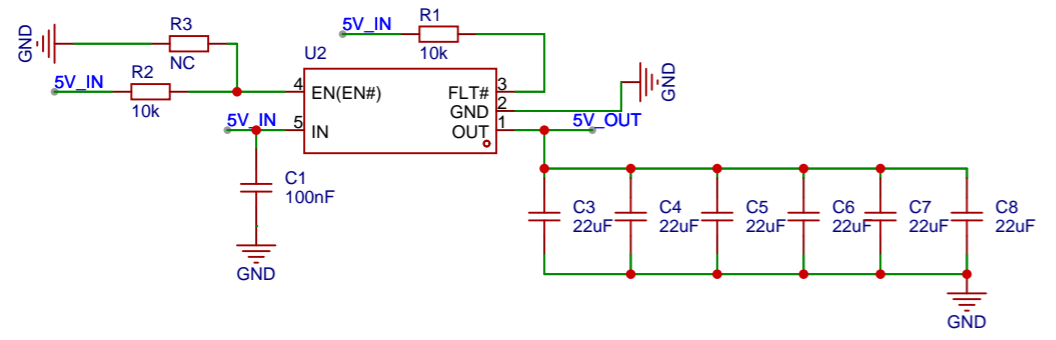
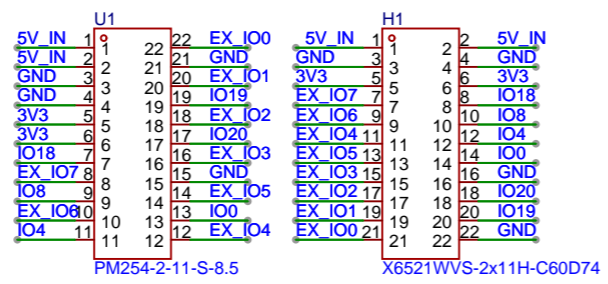
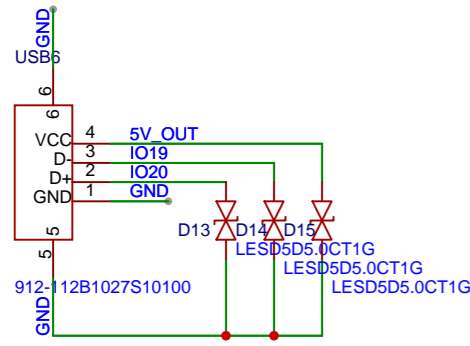


# USB-A



Schematic	Schematic1_3	Update Date	2023-08-11		
		Create Date	2023-08-11		
Page	P1	Part Number			
Drawn	esp32s3-lcd-ev-board-usb-adapter				
Reviewed					
	VER	SIZE	PAGE	1	OF 1
嘉立创EDA		V1.0	A3	嘉立创EDA	