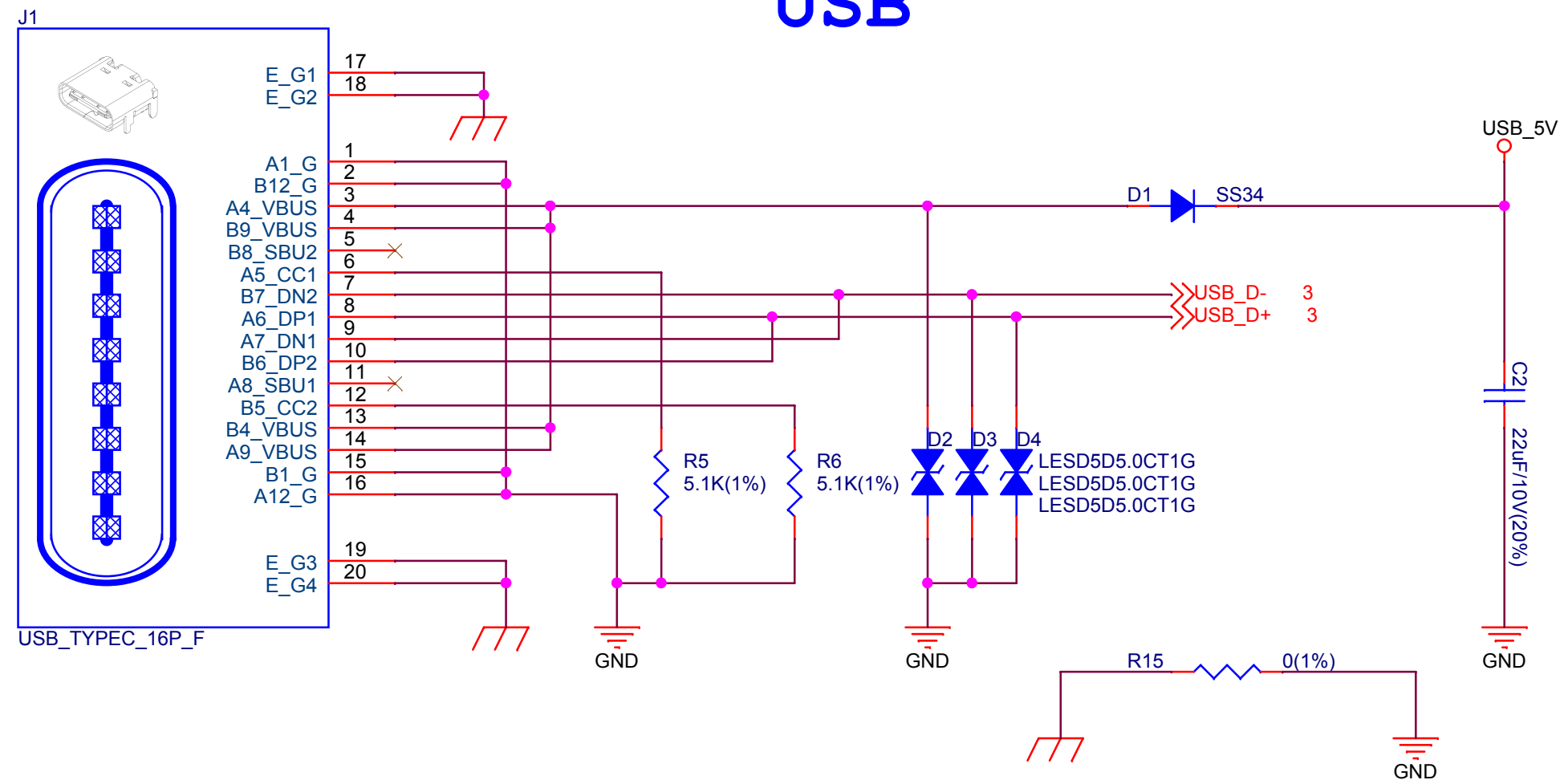
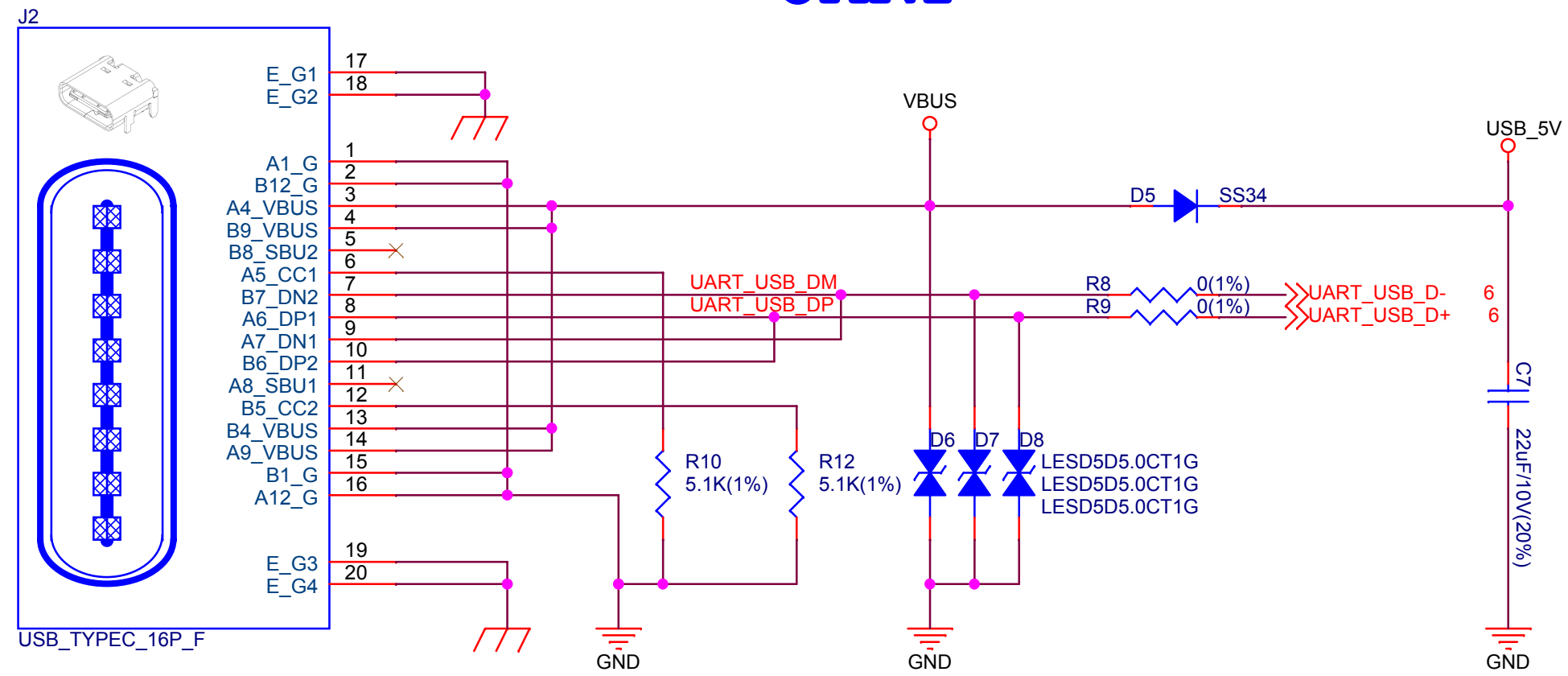


ESPRESSIF			
乐鑫信息科技(上海)股份有限公司			
Title			
ESP32-S3-LCD-EV-Board-MB			
Size	Page Name	Rev	Proprietary
A	Overview	1.5	
Date:	Tuesday, November 28, 2023	Sheet	1 of 7

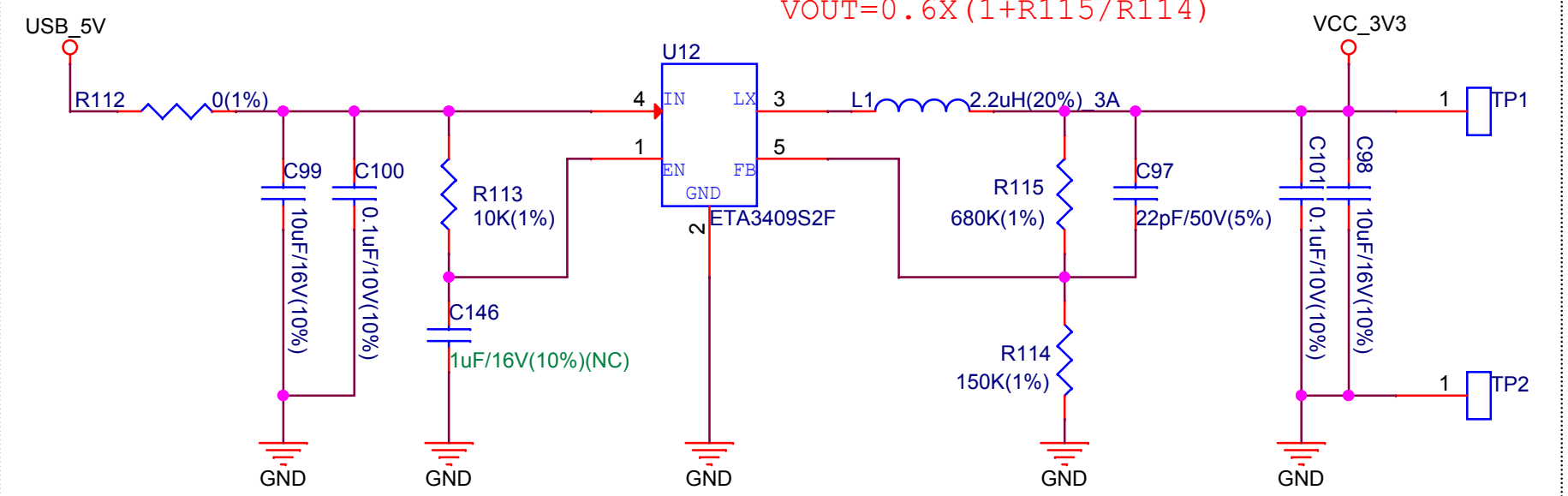
USB



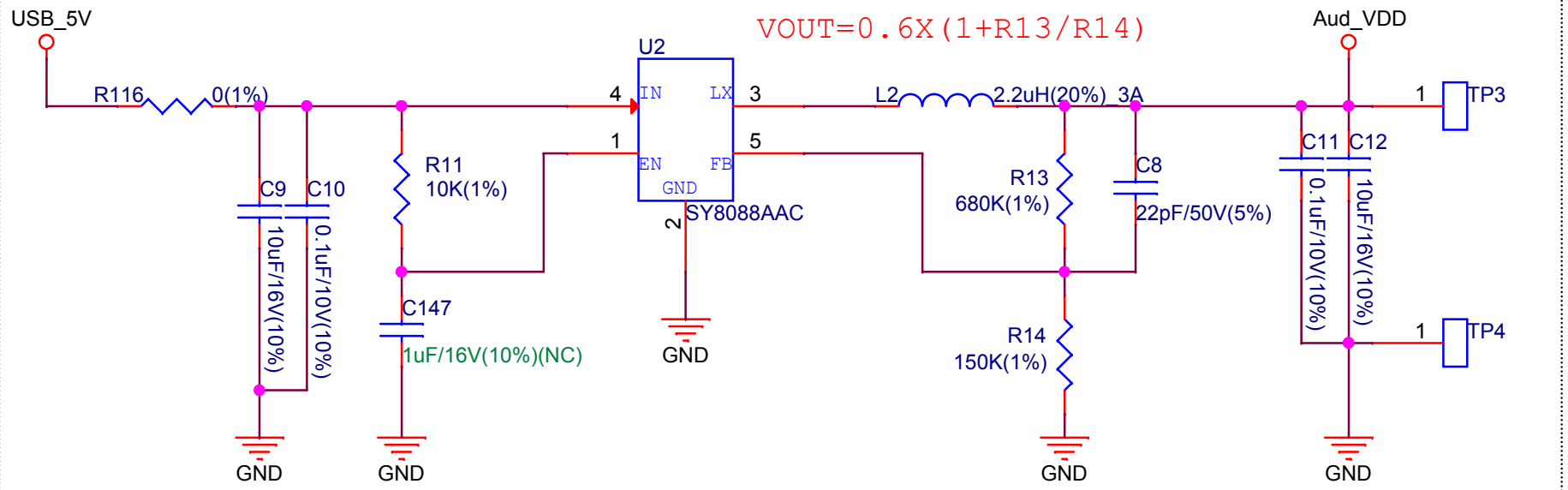
UART



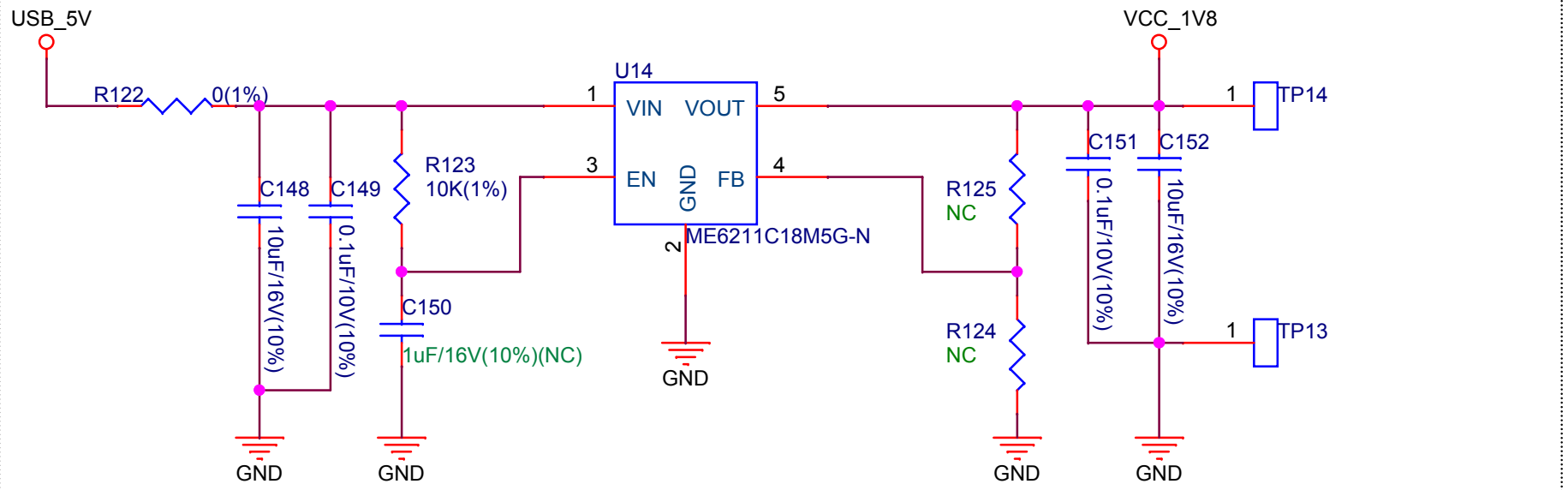
SYS VDD



Audio VDD



1.8V for R16V module



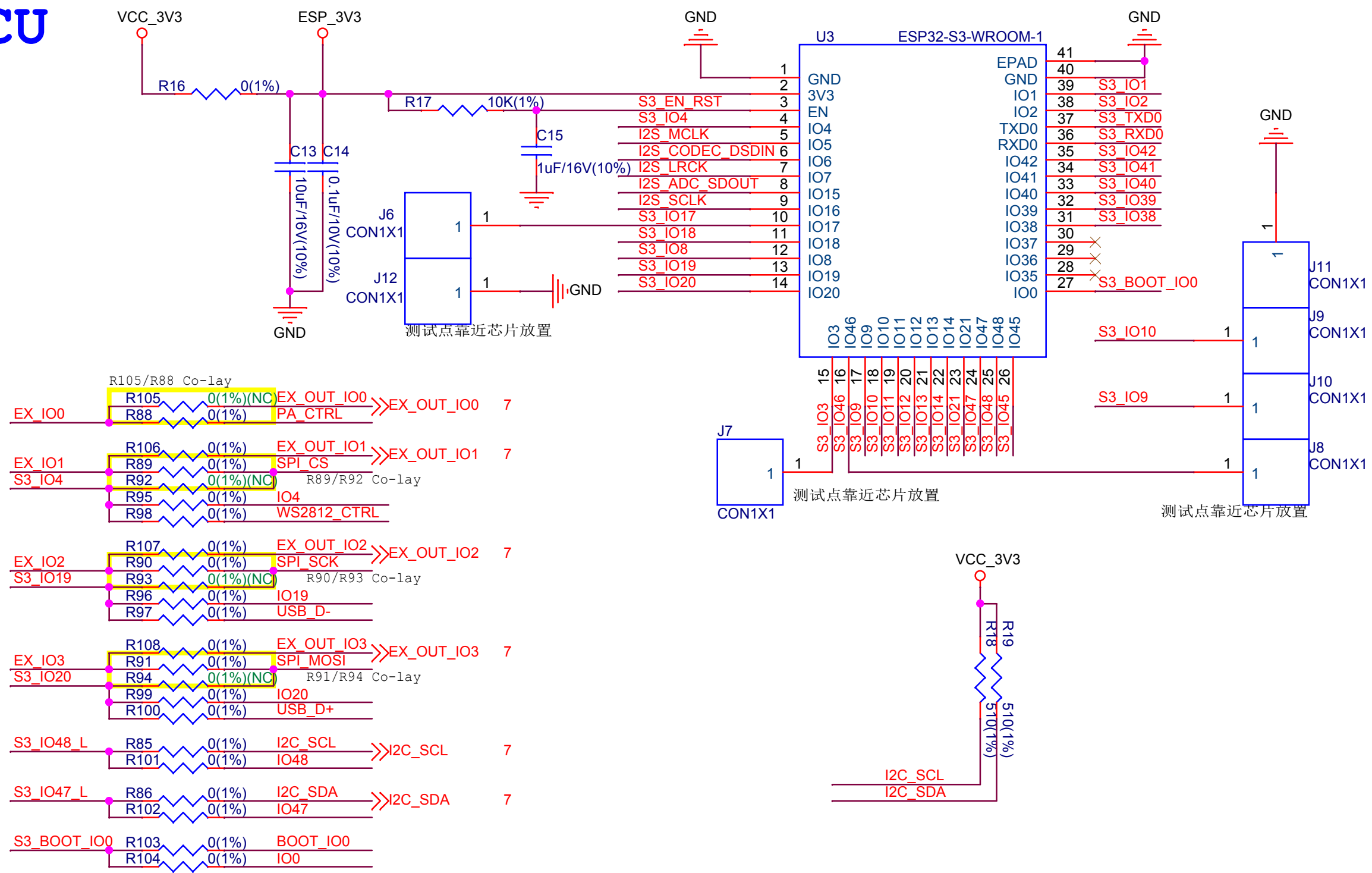
ESPRESSIF

乐鑫信息科技（上海）股份有限公司

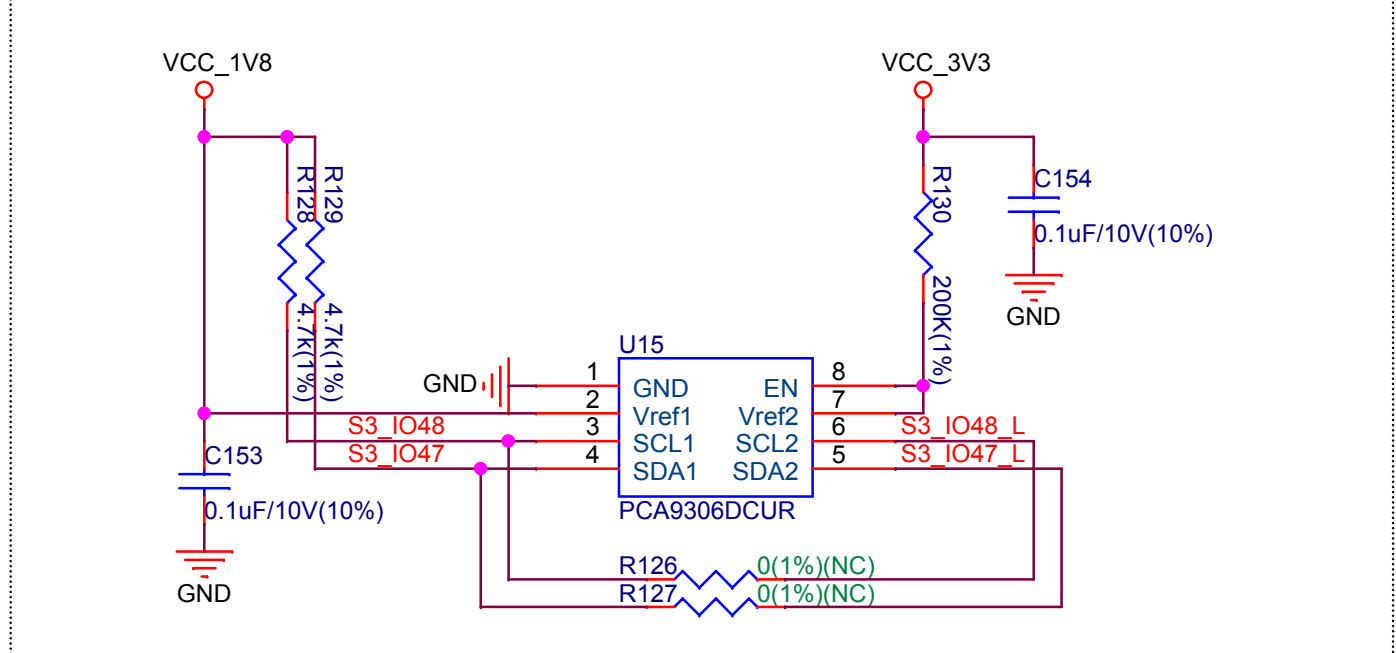
Title
ESP32-S3-LCD-EV-Board-MB

Size	Page Name	Rev	Proprietary
B	Power	1.5	
Date:	Tuesday, November 28, 2023	Sheet	2 of 7

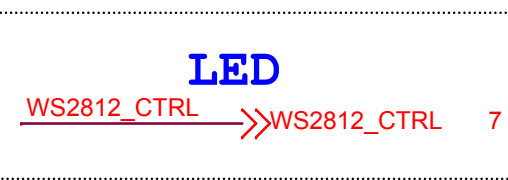
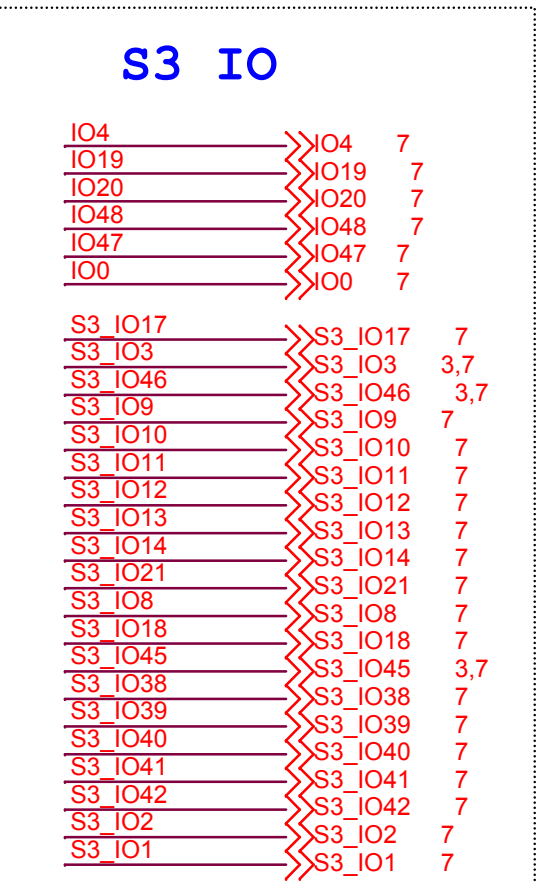
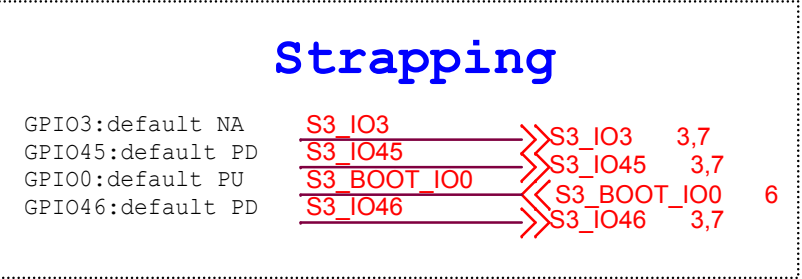
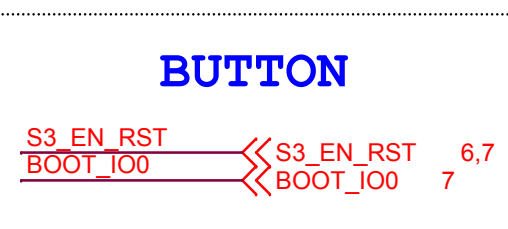
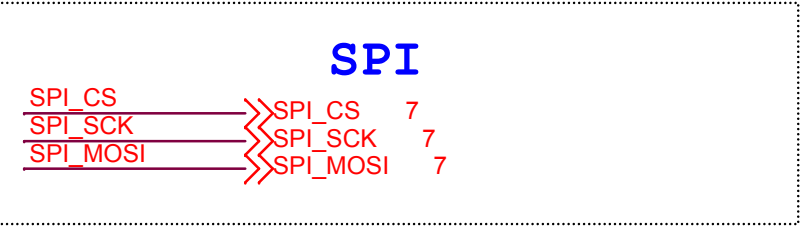
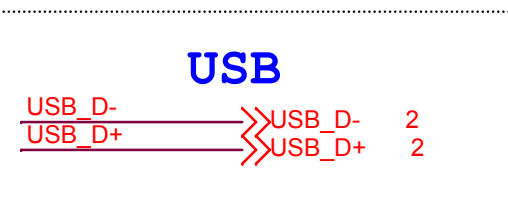
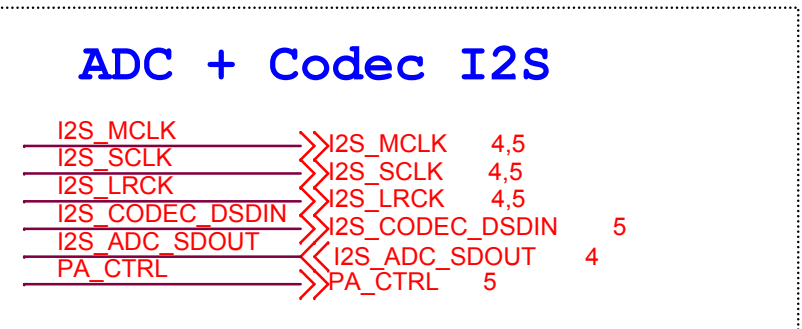
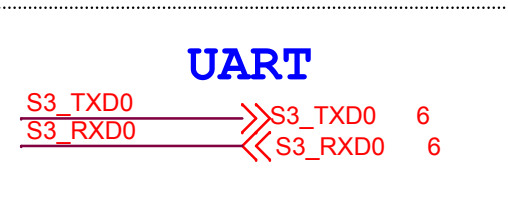
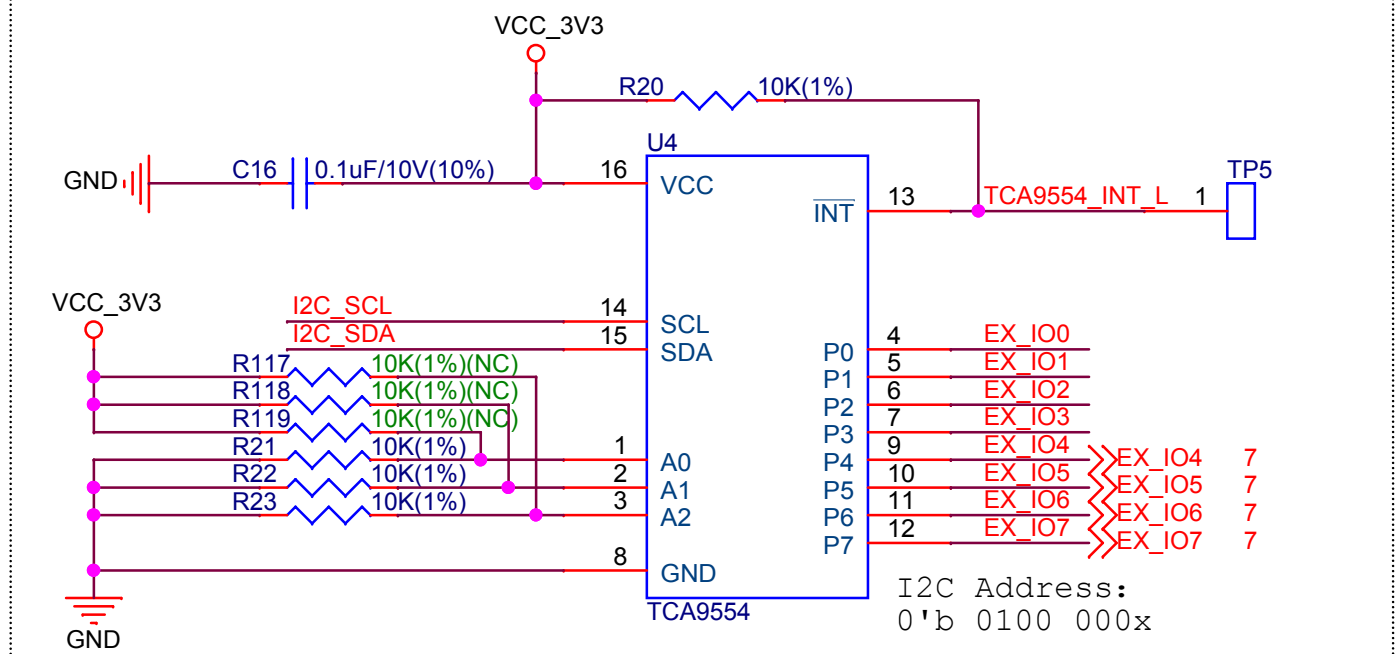
MCU



Levelshift



I/O Expander:

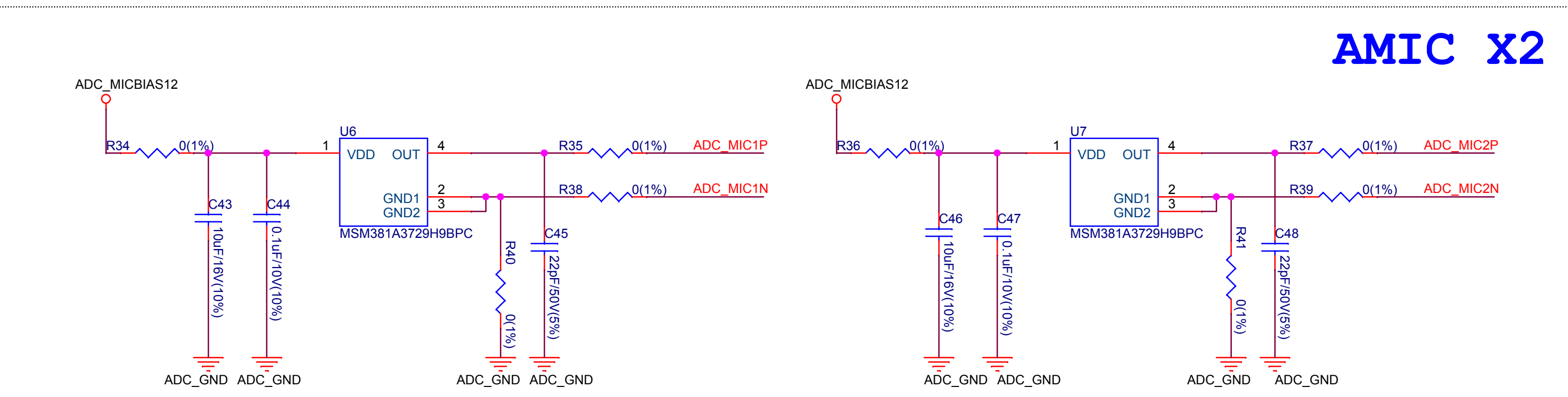
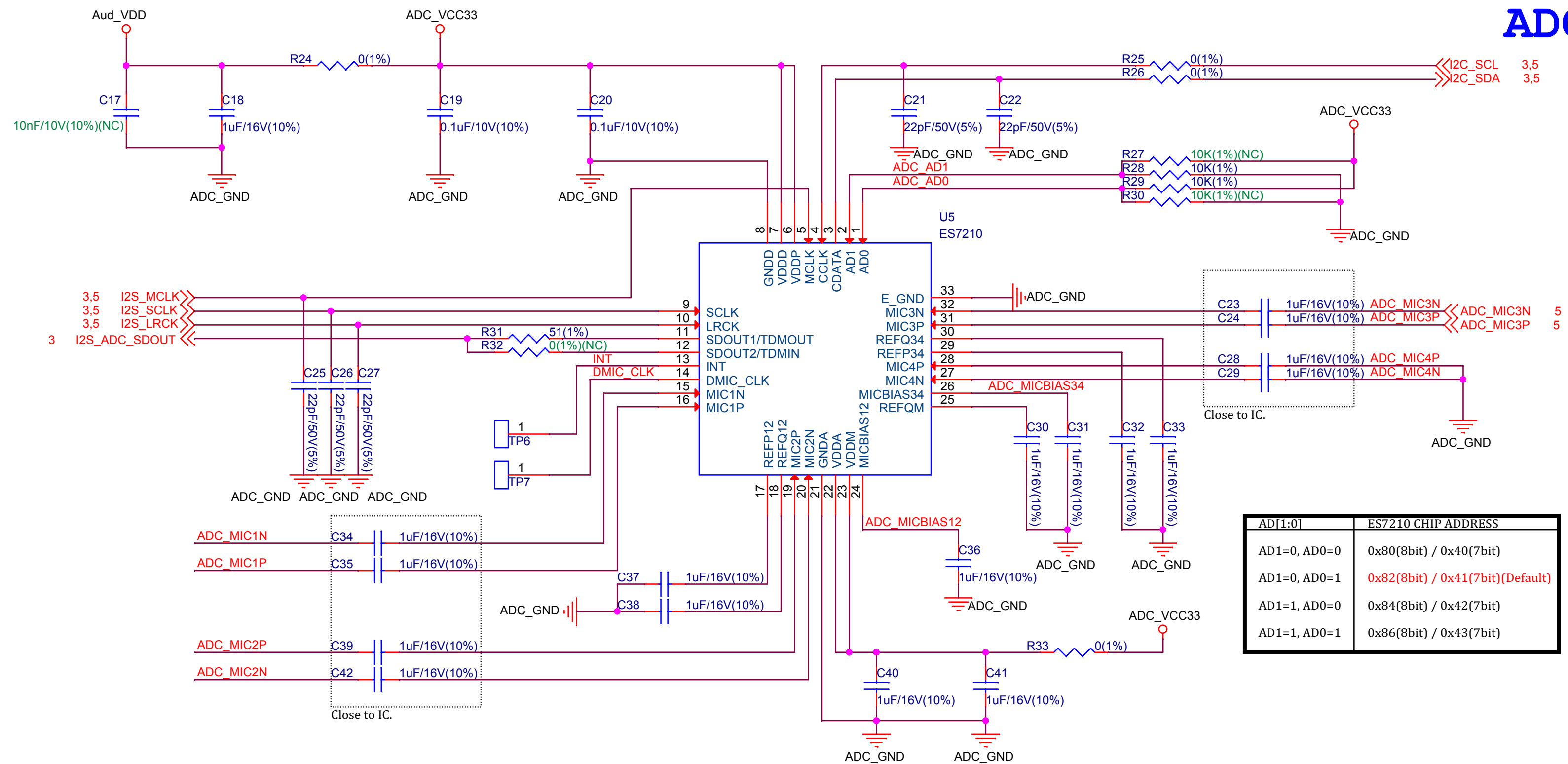


ESPRESSIF
乐鑫信息科技(上海)股份有限公司

Title: ESP32-S3-LCD-EV-Board-MB

Size B	Page Name Module	Rev 1.5	Proprietary
--------	------------------	---------	-------------

Date: Tuesday, November 28, 2023 Sheet 3 of 7



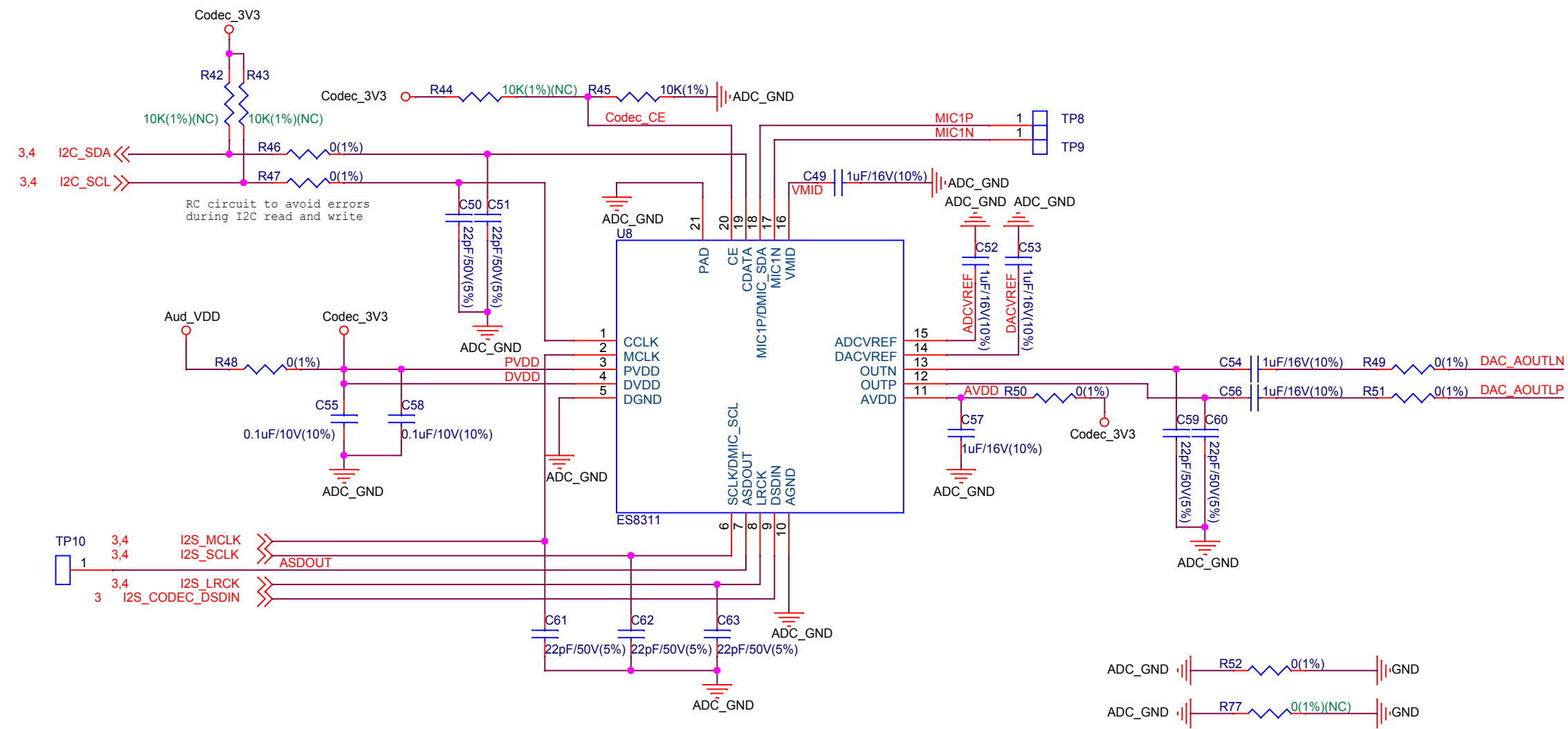
ESPRESSIF
 乐鑫信息科技(上海)股份有限公司

Title: ESP32-S3-LCD-EV-Board-MB

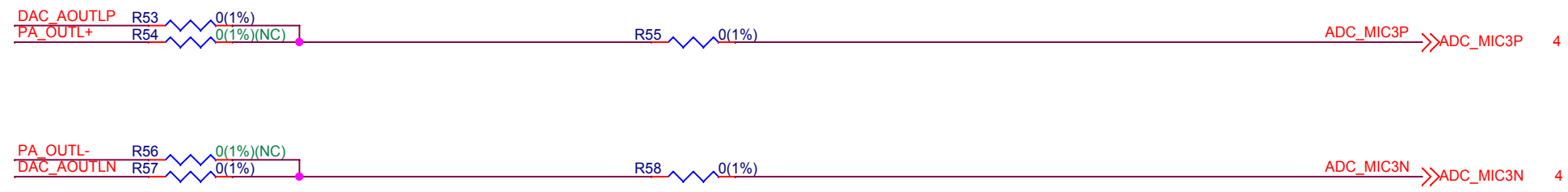
Size B	Page Name: ADC	Rev: 1.5	Proprietary
--------	----------------	----------	-------------

Date: Tuesday, November 28, 2023 Sheet 4 of 7

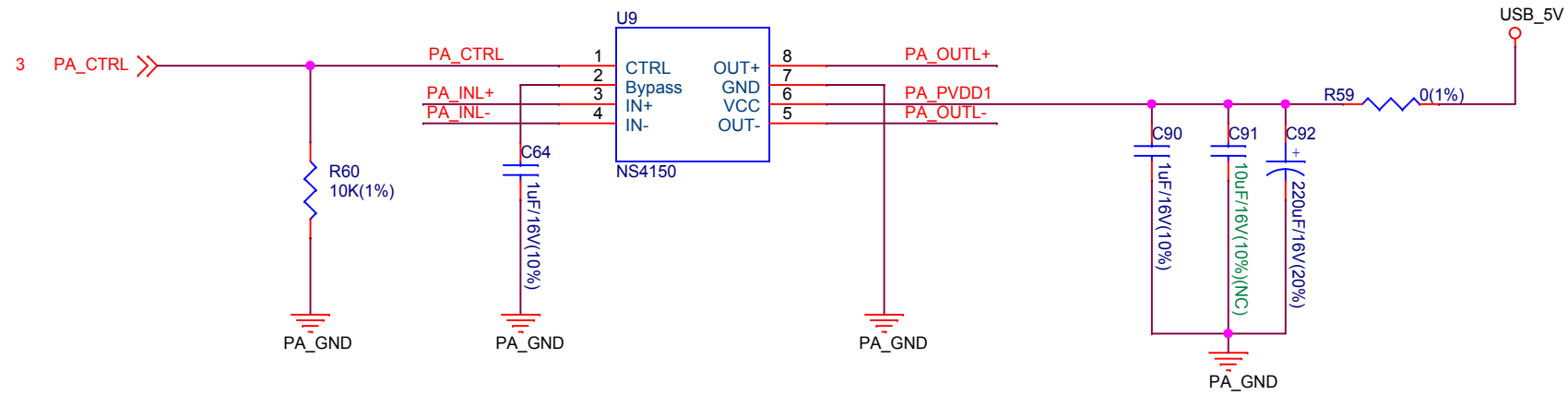
Codec



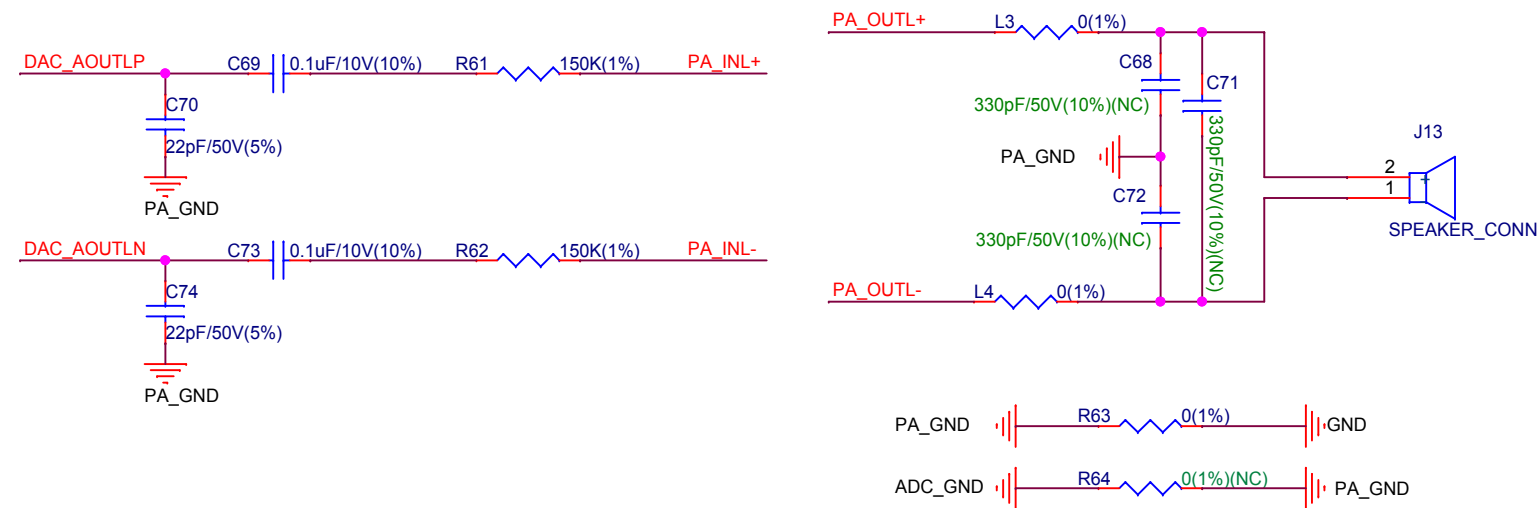
AEC



PA



Speaker



ESPRESSIF

乐鑫信息科技(上海)股份有限公司

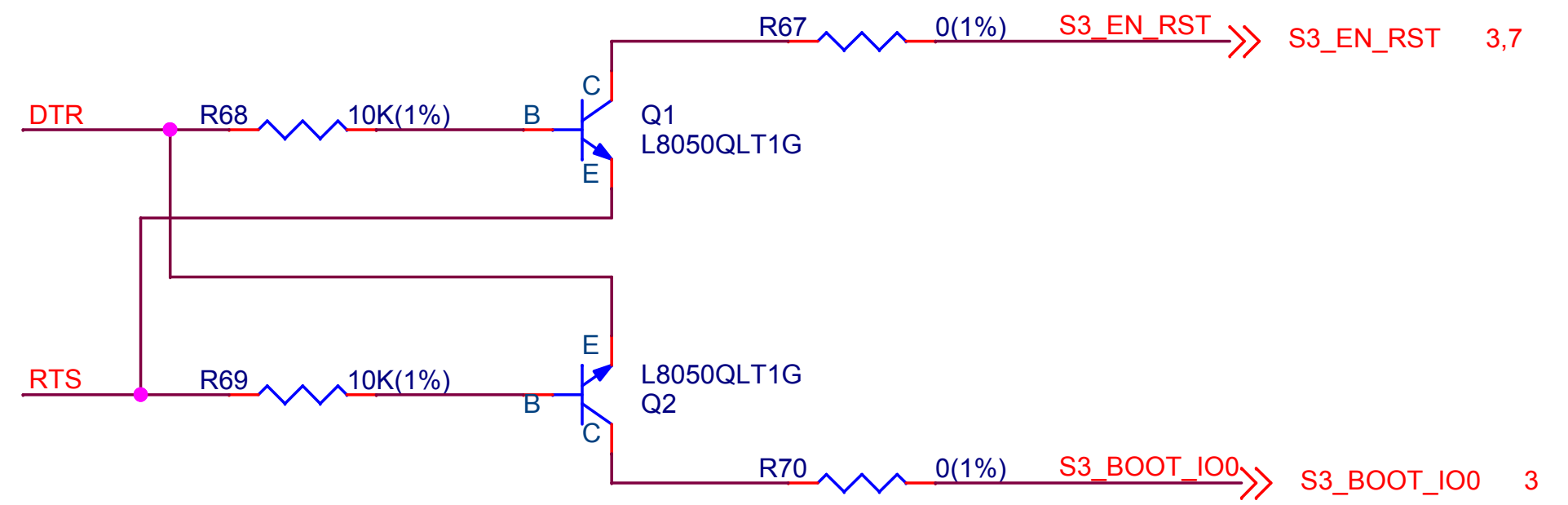
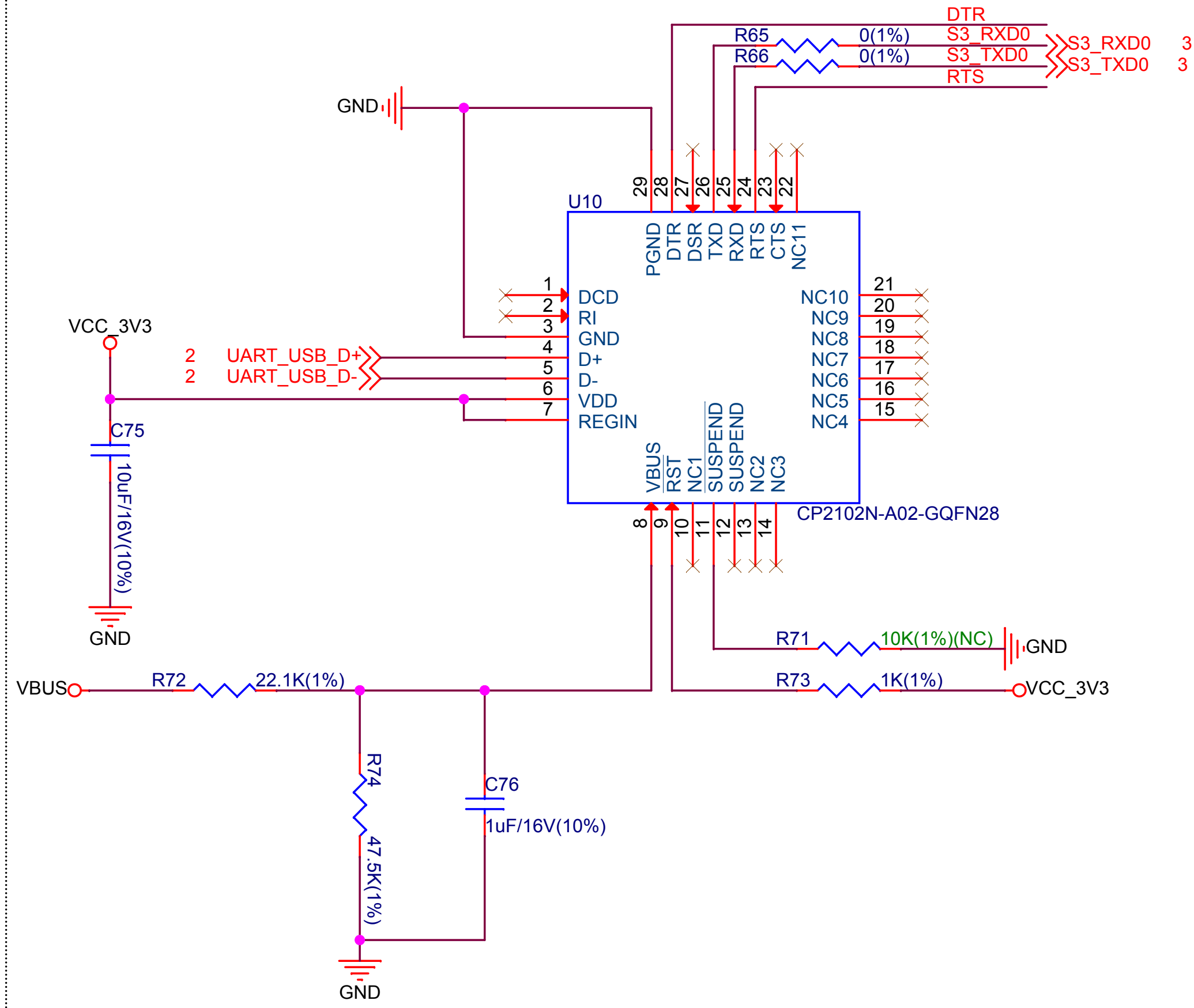
Title ESP32-S3-LCD-EV-Board-MB

Size Page Name Rev Proprietary

C Codec 1.5

Date: Tuesday, November 28, 2023 Sheet 5 of 7

USB to UART

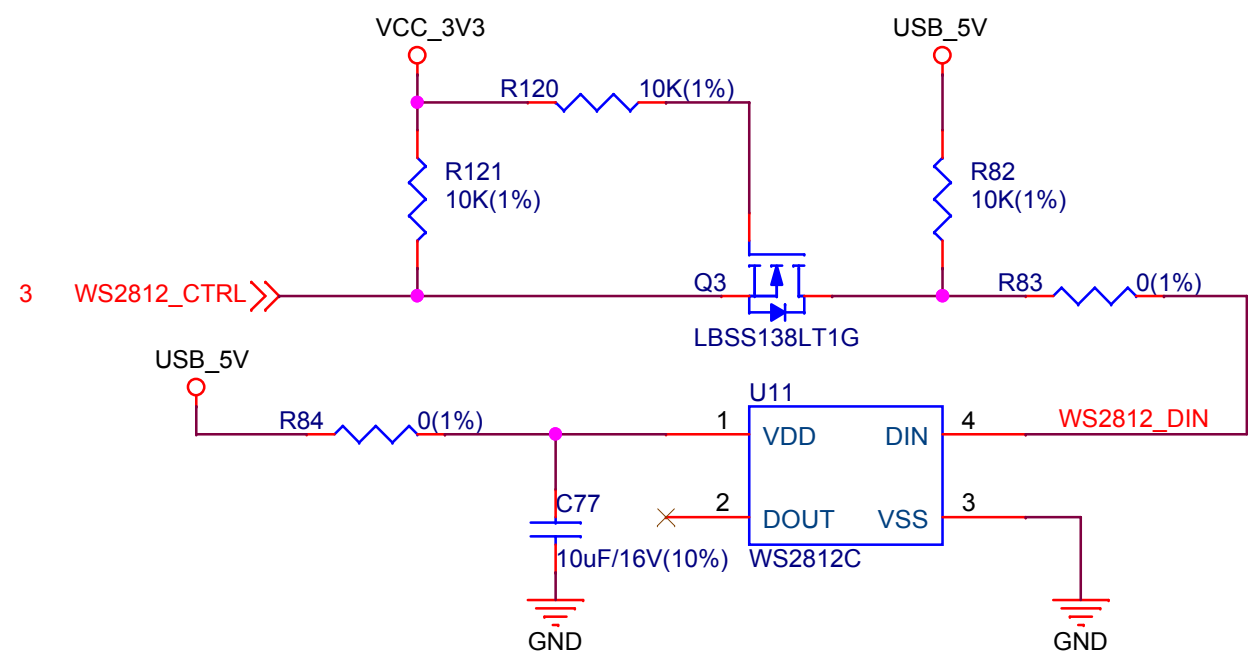


Auto program

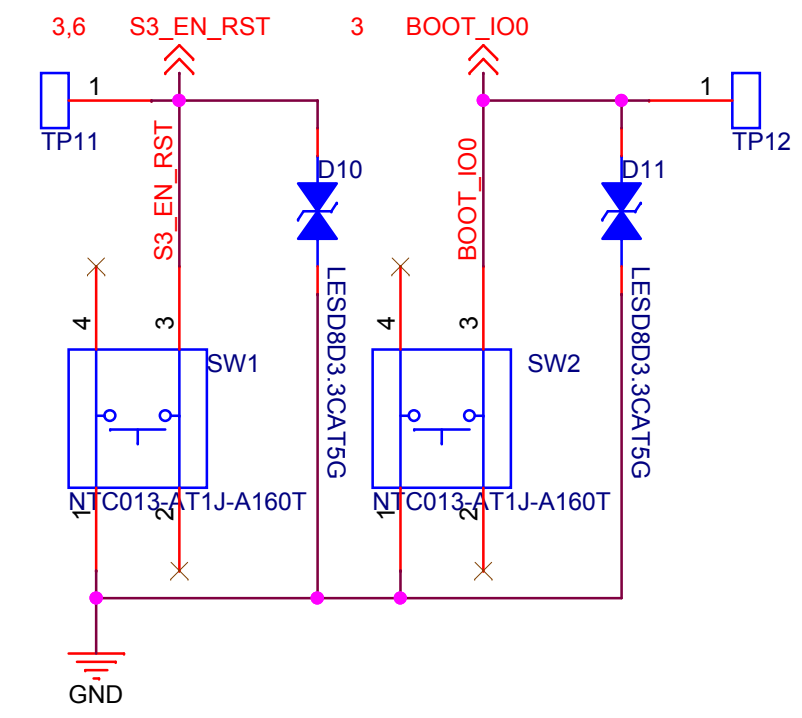
DTR	RTS	EN	IO0
1	1	1	1
0	0	1	1
1	0	0	1
0	1	1	0

ESPRESSIF			
乐鑫信息科技(上海)股份有限公司			
Title ESP32-S3-LCD-EV-Board-MB			
Size A4	Page Name USB to UART	Rev 1.5	Proprietary
Date: Tuesday, November 28, 2023	Sheet 6	of 7	

LED

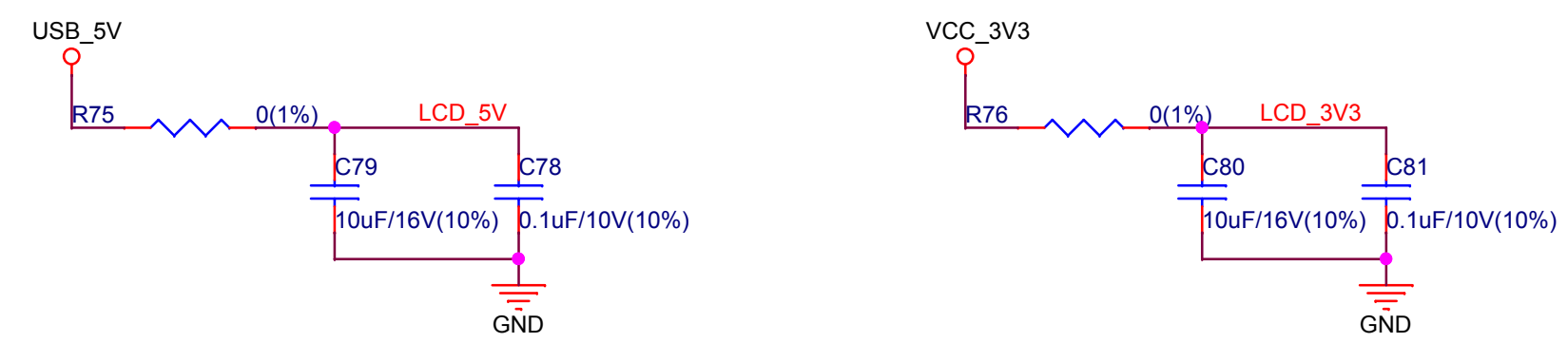
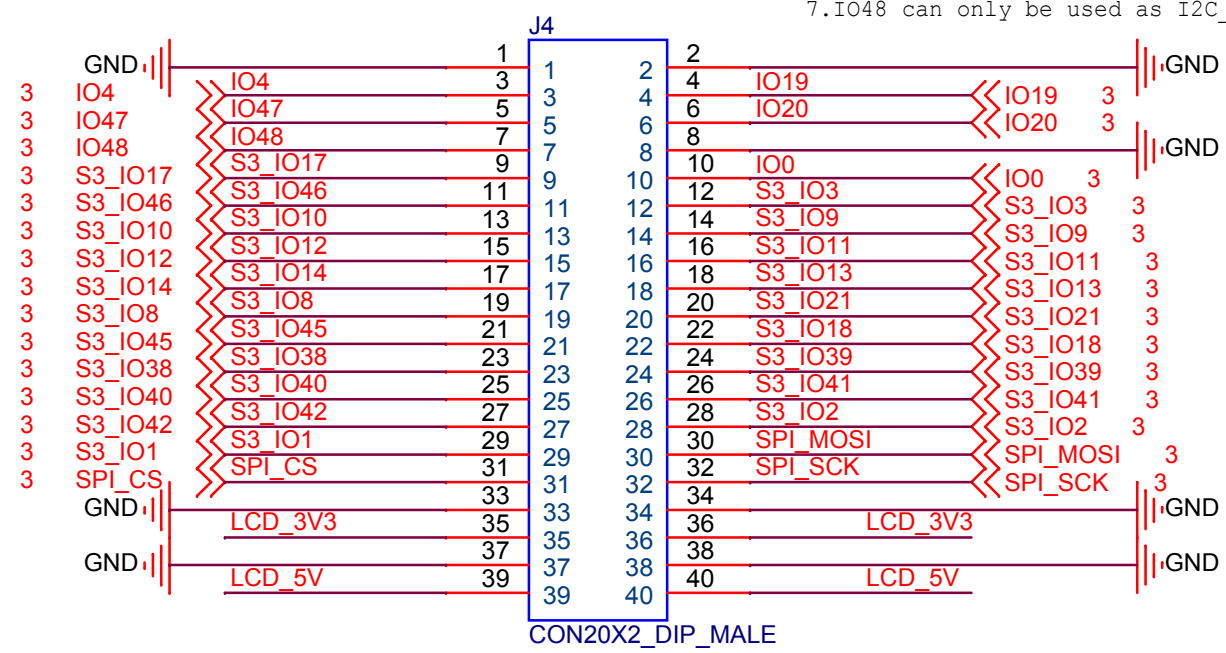


BUTTON

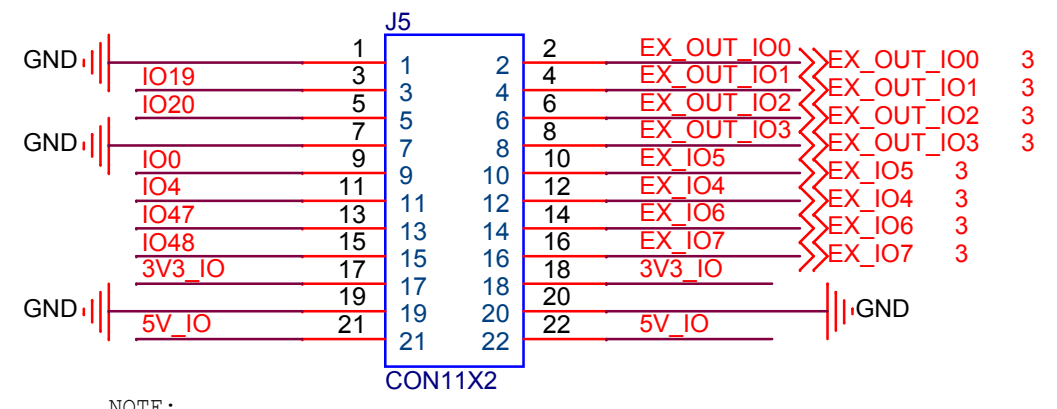


Connector to SUB

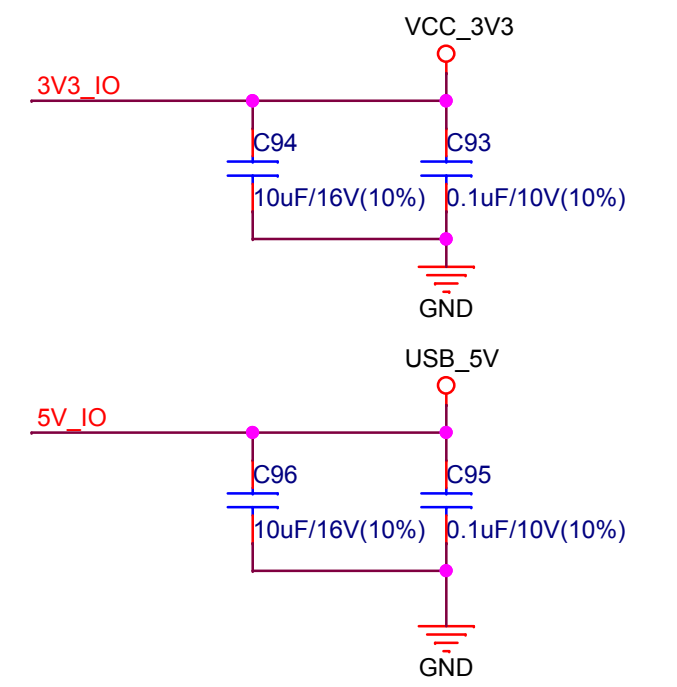
NOTE:
 1.IO19/IO20 can not be used when USB function is running.
 4.IO0 can only be used when system configuration is finished.
 5.IO4 can not be used when SPI is from S3 IO or WS2812_CTRL is used.
 6.IO47 can only be used as I2C_SDA function.
 7.IO48 can only be used as I2C_SCL function.



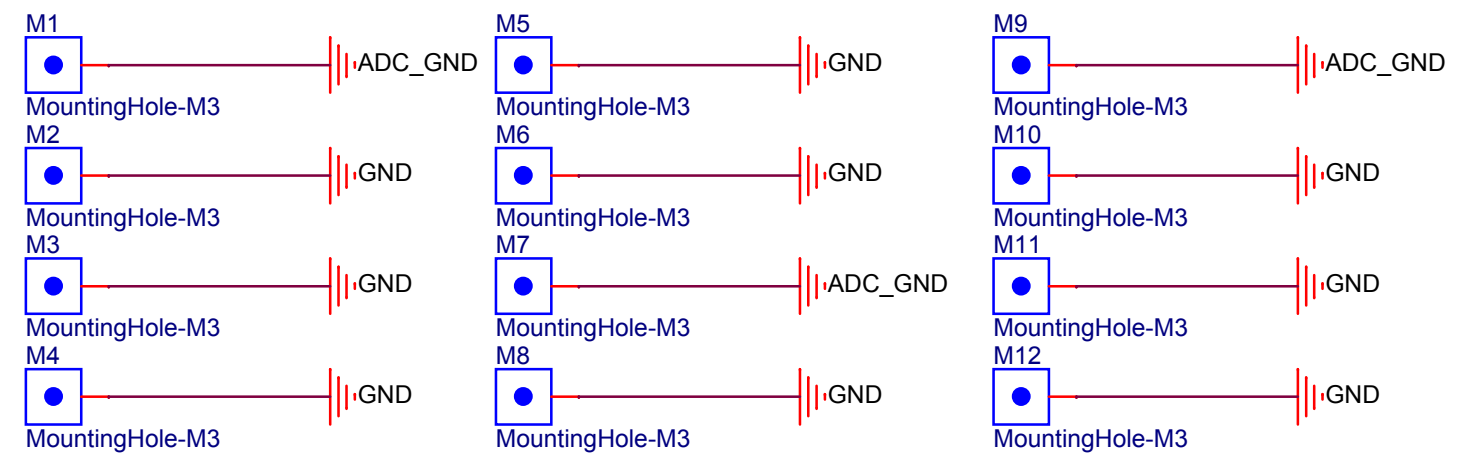
IO for Customer Use



NOTE:
 1.EX_OUT_IO0 can not be used when PA_CTRL is used.
 2.EX_OUT_IO1/EX_OUT_IO2/EX_OUT_IO3 can not be used when SPI is from IO Expander.
 3.IO19/IO20 can not be used when USB function is running.
 4.IO0 can only be used when system configuration is finished.
 5.IO4 can not be used when SPI is from S3 IO or WS2812_CTRL is used.
 6.IO47 can only be used as I2C_SDA function.
 7.IO48 can only be used as I2C_SCL function.



Support Board Holes



ESPRESSIF			
乐鑫信息科技（上海）股份有限公司			
Title ESP32-S3-LCD-EV-Board-MB			
Size B	Page Name Interface	Rev 1.5	Proprietary
Date:	Tuesday, November 28, 2023	Sheet	7 of 7