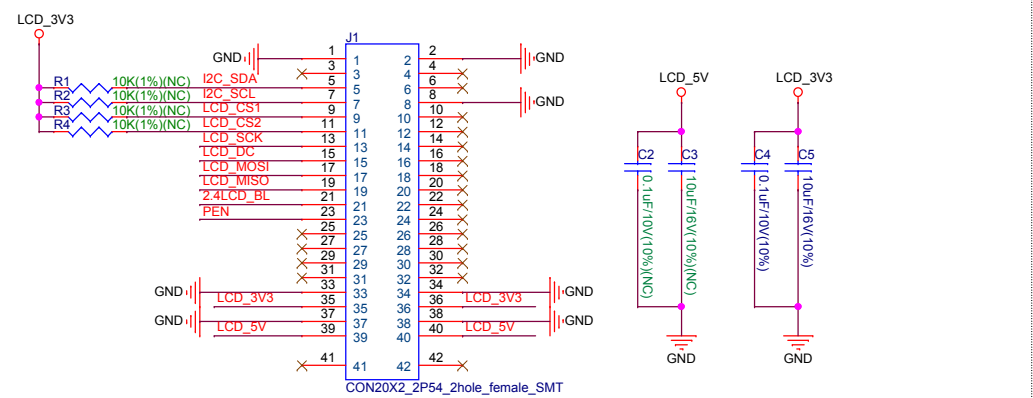
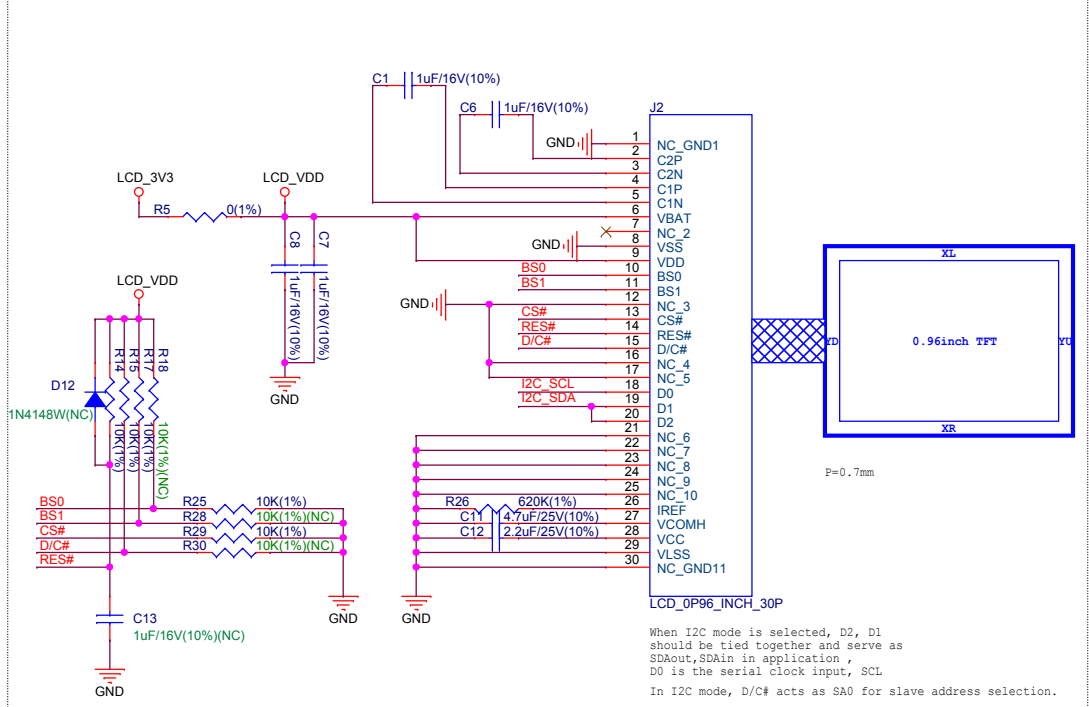


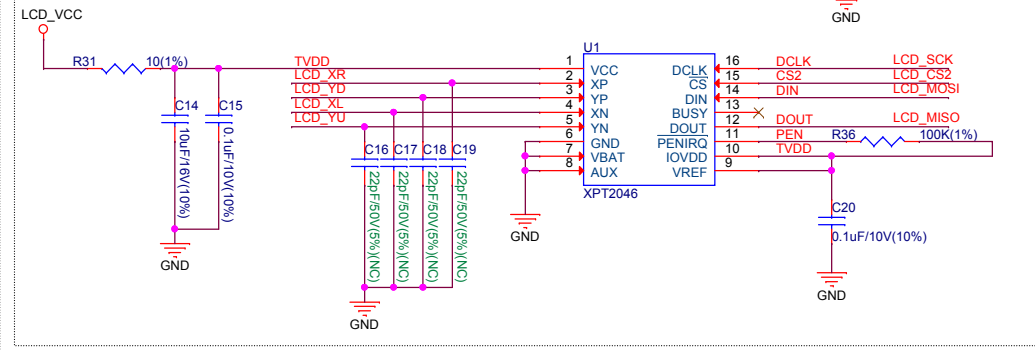
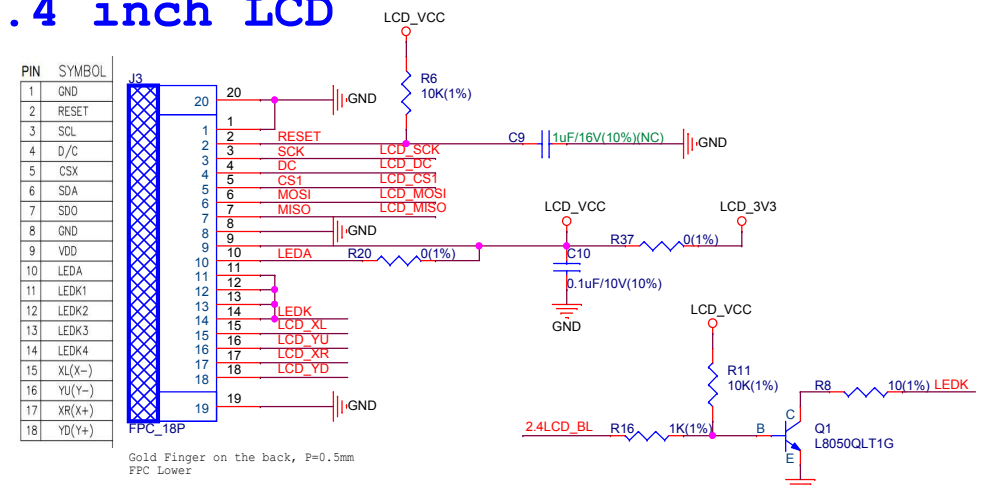
Connector to MB



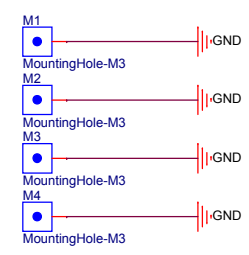
0.96 inch LCD



2.4 inch LCD



Support Board Holes



ESPRESSIF
 乐鑫信息科技 (上海) 股份有限公司

Title: ESP32-S3-LCD_Ev_Board_SUB1

Size B	Page Name 01_LCD	Rev 1.0	Proprietary
Date: Friday, July 28, 2023	Sheet 1	of 1	